



TECHNO MODULE  US

MODULAR
ELSTEEL
ENCLOSURES

This is a “**WHAT YOU SEE IS WHAT YOU GET**” catalogue.

Order information on the left page and
assembly instructions and spare parts on the right.

Welcome to the world’s best 100% three dimensional, 25mm modular system!
We also make the world’s best mounting boxes - terminal boxes - special enclosures
and 19” systems. Please ask us for a separate brochure!

Log in to www.elsteel.com and stay updated!



You´re holding a top of the line
quality product in your hands.
Made with love and excellence!
I hope you will enjoy assembling and
using Elsteel products as much as
I enjoy manufacturing it for you.

A handwritten signature in black ink, appearing to be 'F. Logstrup'.

Fang Logstrup
Managing Director

TECHNO MODULE

1

BUSBAR SYSTEMS

2

FIXED TYPE INSERTS

3

TECH.SPEC / SPARE PARTS

4

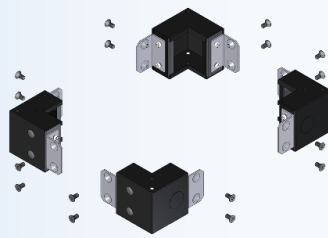
ISSUED BY : J.P
DATE : 01.01.2025
APPROVED BY : R.P
DATE : 01.01.2025

PLINTH CORNERS ■



| CAT. No. | DESCRIPTION | CORNER SIZE | WEIGHT (kg) | ORDER NO. RAL 9005 SMF. |
|----------|----------------|-------------|-------------|----------------------------|
| UBFC | PLINTH CORNERS | 100X100 | 4.50 | U10000 |

ADJUSTABLE PLINTH CORNERS ■



| CAT. No. | DESCRIPTION | CORNER SIZE | WEIGHT (kg) | ORDER NO. RAL 9005 SMF. |
|----------|---------------------------|-------------|-------------|----------------------------|
| UABFC | ADJUSTABLE PLINTH CORNERS | 100X100 | 8.60 | U10005 |

PLINTH PROFILES ■



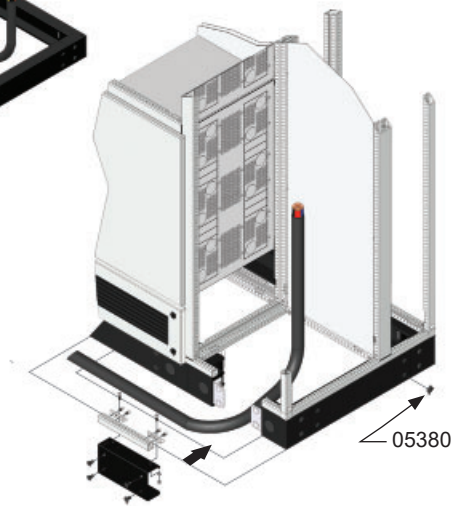
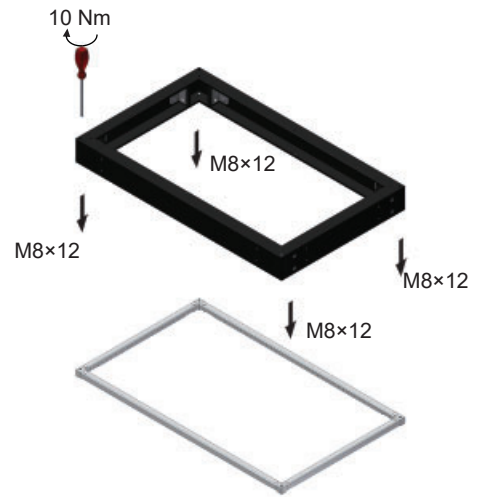
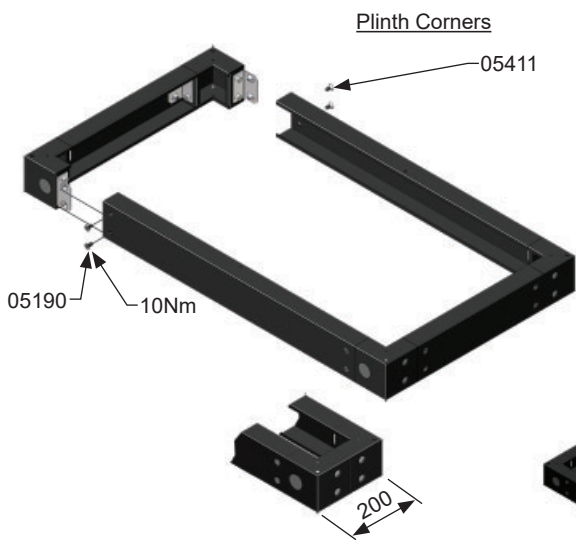

| CAT. No. | DESCRIPTION | PROFILE LENGTH | PANEL SIZE | WEIGHT (kg) | ORDER NO. RAL 9005 SMF. |
|----------|-----------------|----------------|------------|-------------|----------------------------|
| UBPP 3 | PLINTH PROFILES | 100 | 300 | 0.63 | U10030 |
| UBPP 4 | PLINTH PROFILES | 200 | 400 | 1.31 | U10040 |
| UBPP 6 | PLINTH PROFILES | 400 | 600 | 2.56 | U10050 |
| UBPP 8 | PLINTH PROFILES | 600 | 800 | 3.83 | U10060 |
| UBPP 10 | PLINTH PROFILES | 800 | 1000 | 5.26 | U10070 |
| UBPP 12 | PLINTH PROFILES | 1000 | 1200 | 6.54 | U10080 |
| UBPP 14 | PLINTH PROFILES | 1200 | 1400 | 7.83 | U10090 |
| UBPP 16 | PLINTH PROFILES | 1400 | 1600 | 9.39 | U10100 |
| UBPP 18 | PLINTH PROFILES | 1600 | 1800 | 10.46 | U10110 |
| UBPP 20 | PLINTH PROFILES | 1800 | 2000 | 11.74 | U10120 |
| UBPP 22 | PLINTH PROFILES | 2000 | 2200 | 13.39 | U10121 |
| UBPP 24 | PLINTH PROFILES | 2200 | 2400 | 14.19 | U10122 |

BRS 50 brackets included in 800 and above profile length.

MOVEABLE PLINTH PROFILES ■

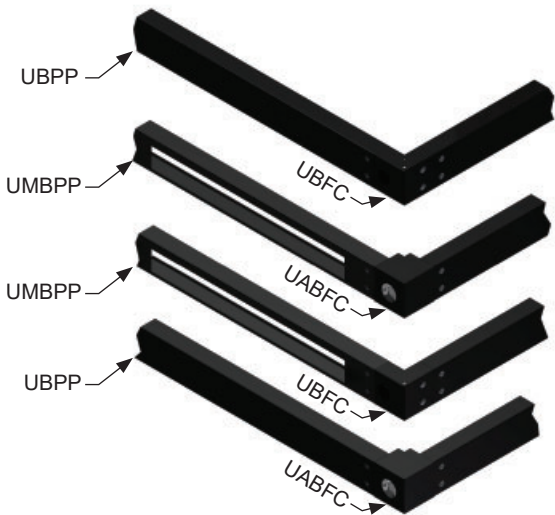


| CAT. No. | DESCRIPTION | PROFILE LENGTH | PANEL SIZE | WEIGHT (kg) | ORDER NO. RAL 9005 SMF. |
|----------|--------------------------|----------------|------------|-------------|----------------------------|
| UMBPP 8 | MOVEABLE PLINTH PROFILES | 600 | 800 | 5.78 | U10062 |
| UMBPP 10 | MOVEABLE PLINTH PROFILES | 800 | 1000 | 7.22 | U10072 |
| UMBPP 12 | MOVEABLE PLINTH PROFILES | 1000 | 1200 | 8.56 | U10082 |
| UMBPP 14 | MOVEABLE PLINTH PROFILES | 1200 | 1400 | 10.01 | U10092 |
| UMBPP 16 | MOVEABLE PLINTH PROFILES | 1400 | 1600 | 11.45 | U10102 |
| UMBPP 18 | MOVEABLE PLINTH PROFILES | 1600 | 1800 | 12.89 | U10112 |
| UMBPP 20 | MOVEABLE PLINTH PROFILES | 1800 | 2000 | 14.33 | U10123 |
| UMBPP 22 | MOVEABLE PLINTH PROFILES | 2000 | 2200 | 15.72 | U10124 |
| UMBPP 24 | MOVEABLE PLINTH PROFILES | 2200 | 2400 | 17.34 | U10125 |



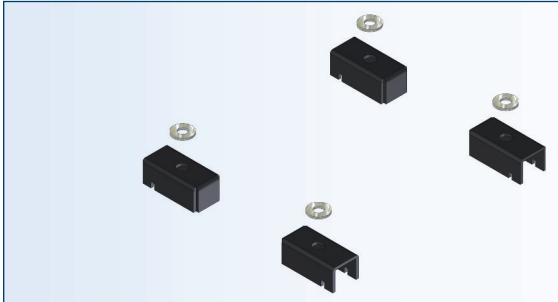
Panels with busbar system over 2300kg require heavy-duty plinth (See page no. 1:05 or 1:07)

Maximum weight 1800kg for panel width maximum 2000mm



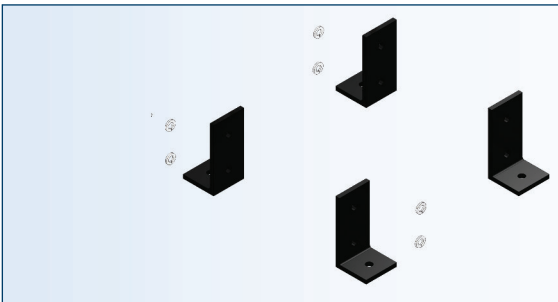
Note (for BFC only):
* The floor or the base must be levelled horizontally with the maximum deviation of ± 1 mm per 1 meter of length, but no more than ± 3 mm for the length of Switchgear.





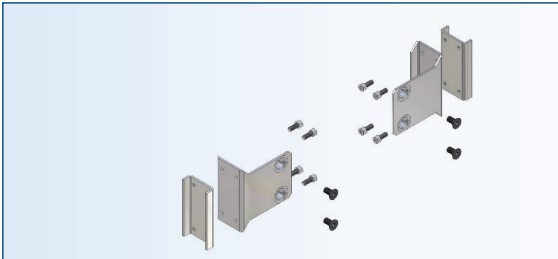
**CLAMPING BRACKETS ■
(INTERNAL FIXING)**

| CAT. No. | DESCRIPTION | WEIGHT (kg) | ORDER NO. RAL 9005 SMF. |
|----------|-------------------|-------------|----------------------------|
| UBCB | CLAMPING BRACKETS | 0.46 | U10150 |



**CLAMPING ANGLES ■
(EXTERNAL FIXING)**

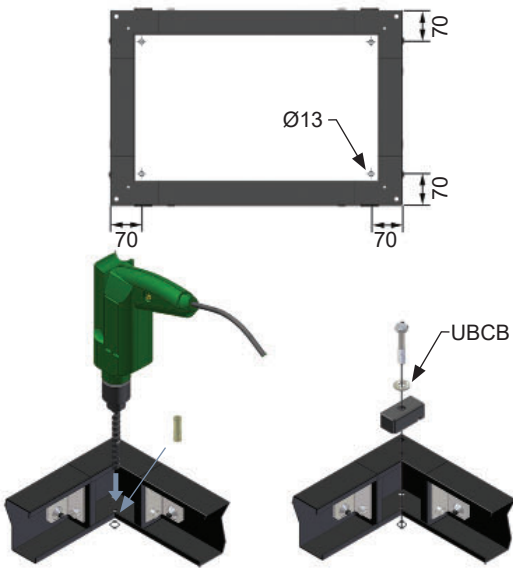
| CAT. No. | DESCRIPTION | WEIGHT (kg) | ORDER NO. RAL 9005 SMF. |
|----------|-----------------|-------------|----------------------------|
| UPCA | CLAMPING ANGLES | 1.35 | U10153 |



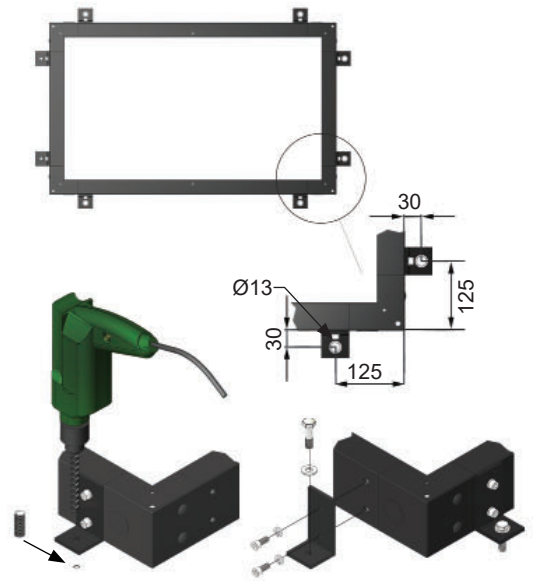
**PLINTH FRAME ■
SUPPORTING BRACKETS**

| CAT. No. | DESCRIPTION | WEIGHT (kg) | ORDER NO. |
|----------|----------------------------------|-------------|-----------|
| UPFSB | PLINTH FRAME SUPPORTING BRACKETS | 1.79 | U10156 |

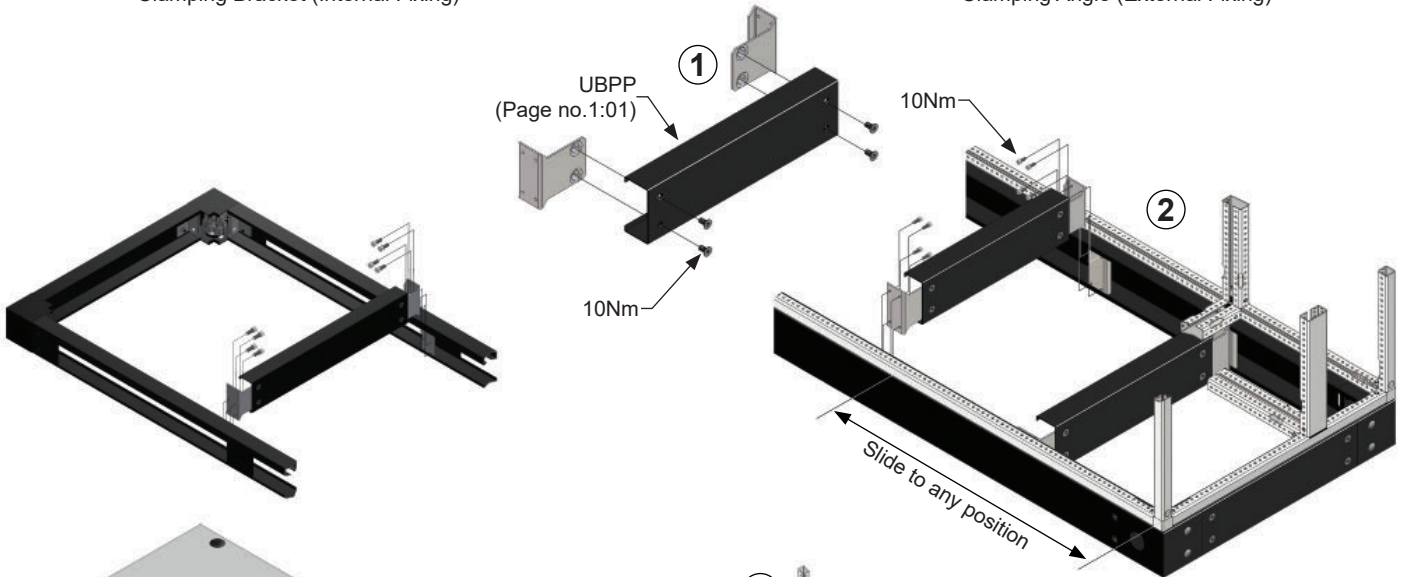
Plinth Installation



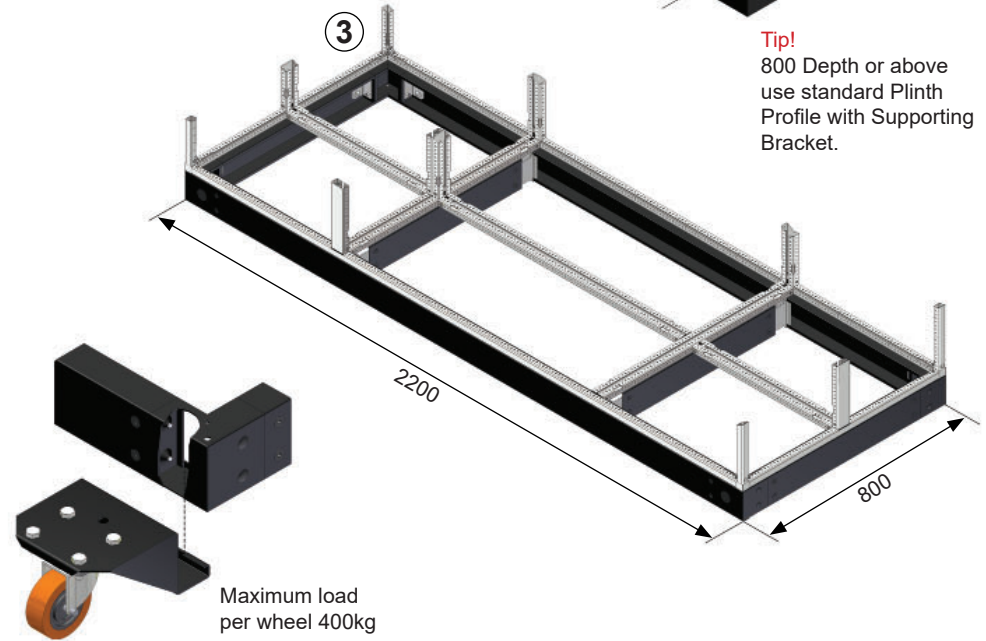
Clamping Bracket (Internal Fixing)



Clamping Angle (External Fixing)



Tip!
800 Depth or above
use standard Plinth
Profile with Supporting
Bracket.





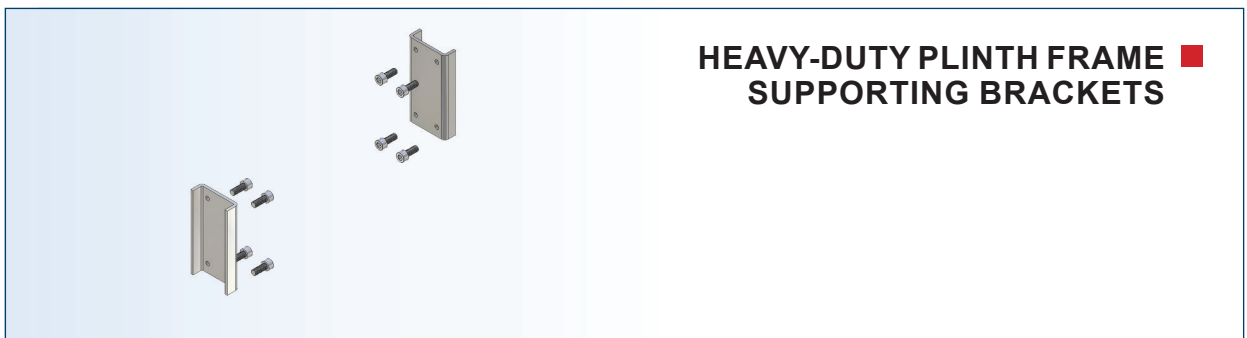
**HEAVY-DUTY PLINTH ■
WIDTH PROFILES**

| CAT. No. | DESCRIPTION | PROFILE LENGTH | PANEL SIZE | WEIGHT (kg) | ORDER NO. |
|----------|----------------------------------|----------------|------------|-------------|-----------|
| UHPPW 4 | HEAVY-DUTY PLINTH WIDTH PROFILES | 400 | 400 | 4.0 | U10160 |
| UHPPW 6 | HEAVY-DUTY PLINTH WIDTH PROFILES | 600 | 600 | 5.9 | U10161 |
| UHPPW 8 | HEAVY-DUTY PLINTH WIDTH PROFILES | 800 | 800 | 7.9 | U10162 |
| UHPPW 10 | HEAVY-DUTY PLINTH WIDTH PROFILES | 1000 | 1000 | 9.9 | U10163 |
| UHPPW 12 | HEAVY-DUTY PLINTH WIDTH PROFILES | 1200 | 1200 | 11.9 | U10164 |
| UHPPW 14 | HEAVY-DUTY PLINTH WIDTH PROFILES | 1400 | 1400 | 13.9 | U10165 |
| UHPPW 16 | HEAVY-DUTY PLINTH WIDTH PROFILES | 1600 | 1600 | 15.8 | U10166 |
| UHPPW 18 | HEAVY-DUTY PLINTH WIDTH PROFILES | 1800 | 1800 | 17.8 | U10167 |
| UHPPW 20 | HEAVY-DUTY PLINTH WIDTH PROFILES | 2000 | 2000 | 19.8 | U10168 |



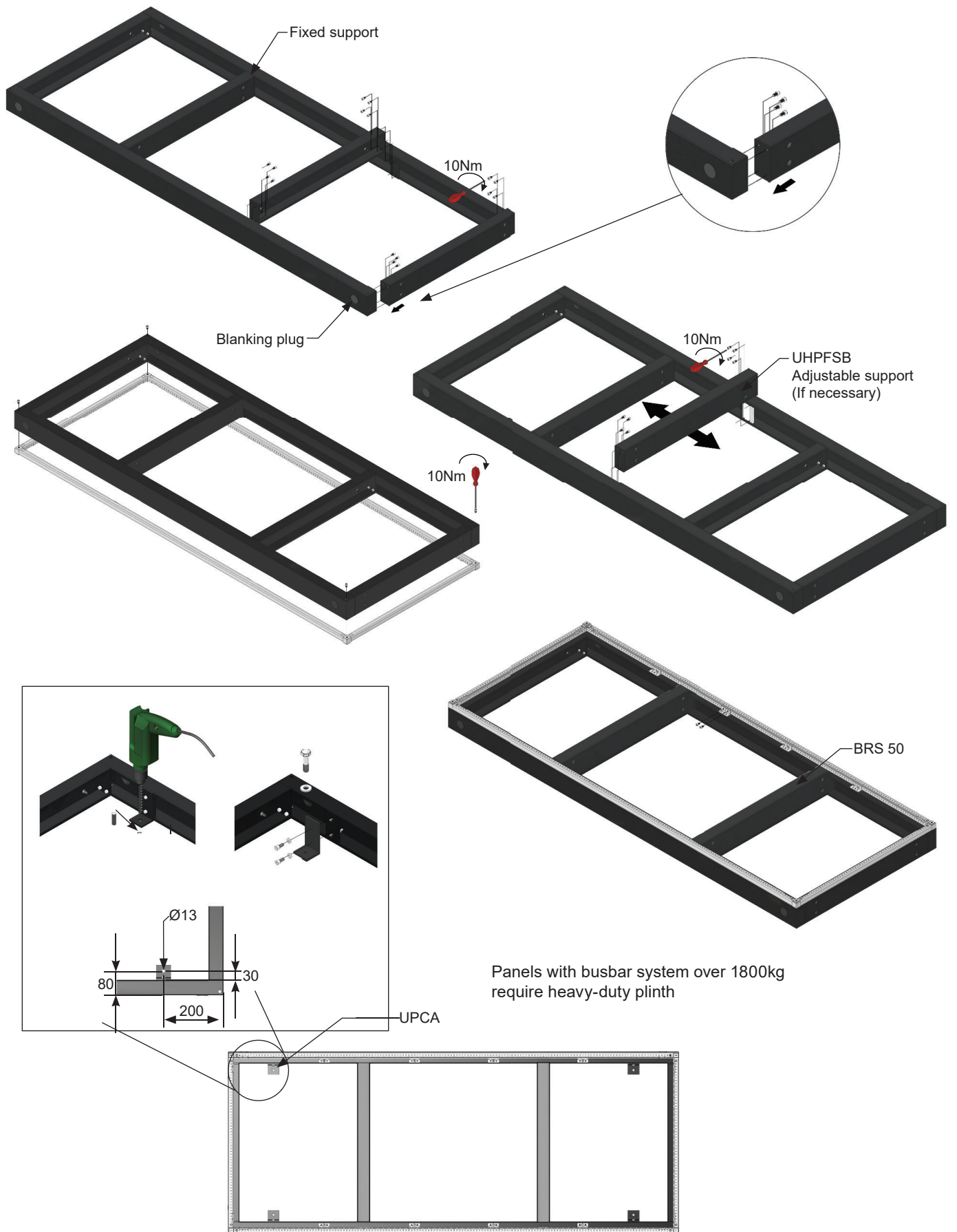
**HEAVY-DUTY PLINTH ■
DEPTH PROFILES**

| CAT. No. | DESCRIPTION | PROFILE LENGTH | PANEL SIZE | WEIGHT (kg) | ORDER NO. |
|----------|----------------------------------|----------------|------------|-------------|-----------|
| UHPPD 3 | HEAVY-DUTY PLINTH DEPTH PROFILES | 300 | 400 | 3.5 | U10175 |
| UHPPD 5 | HEAVY-DUTY PLINTH DEPTH PROFILES | 500 | 600 | 5.2 | U10176 |
| UHPPD 7 | HEAVY-DUTY PLINTH DEPTH PROFILES | 700 | 800 | 6.9 | U10177 |
| UHPPD 9 | HEAVY-DUTY PLINTH DEPTH PROFILES | 900 | 1000 | 8.6 | U10178 |
| UHPPD 11 | HEAVY-DUTY PLINTH DEPTH PROFILES | 1100 | 1200 | 10.4 | U10179 |

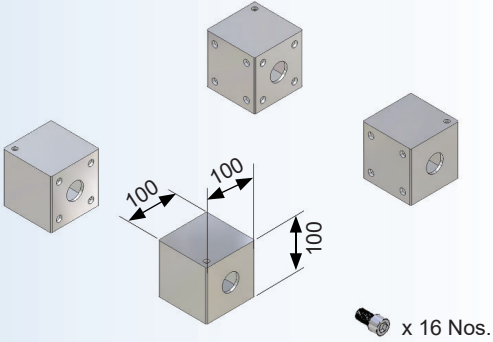


**HEAVY-DUTY PLINTH FRAME ■
SUPPORTING BRACKETS**

| CAT. No. | DESCRIPTION | WEIGHT (kg) | ORDER NO. |
|----------|---|-------------|-----------|
| UHPFSB | HEAVY-DUTY PLINTH FRAME SUPPORTING BRACKETS | 0.334 | U10158 |

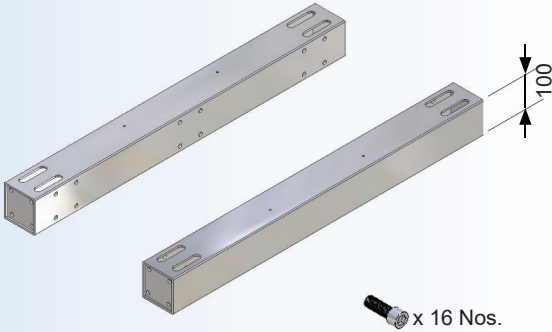


HEAVY-DUTY PLINTH CORNERS ■
HOT DIP GALVANIZED



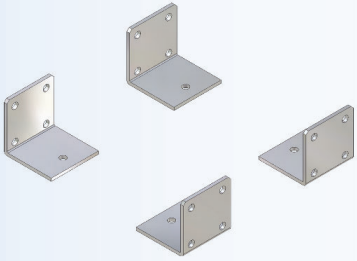
| CAT. No. | DESCRIPTION | CORNER SIZE | WEIGHT (kg) | ORDER NO. |
|----------|----------------------------|-------------|-------------|-----------|
| UHPC | HEAVY -DUTY PLINTH CORNERS | 100 X 100 | 6.09 | U10022 |

HEAVY-DUTY PLINTH PROFILES ■
HOT DIP GALVANIZED

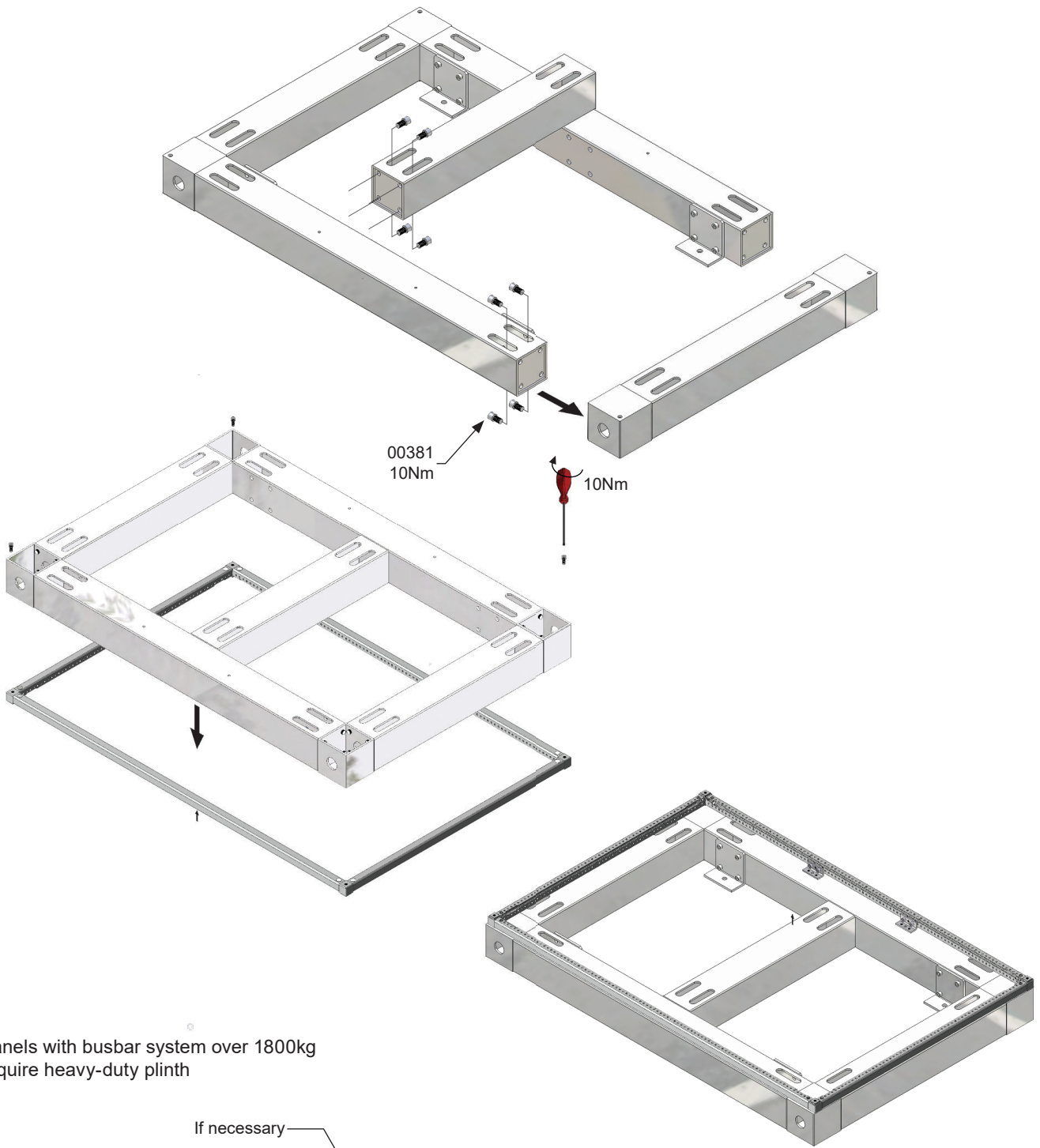


| CAT. No. | DESCRIPTION | PROFILE LENGTH | PANEL SIZE | WEIGHT (kg) | ORDER NO. |
|----------|----------------------------|----------------|------------|-------------|-----------|
| UHPP 4 | HEAVY-DUTY PLINTH PROFILES | 200 | 400 | 6.00 | U10131 |
| UHPP 6 | HEAVY-DUTY PLINTH PROFILES | 400 | 600 | 12.02 | U10133 |
| UHPP 8 | HEAVY-DUTY PLINTH PROFILES | 600 | 800 | 18.40 | U10135 |
| UHPP 10 | HEAVY-DUTY PLINTH PROFILES | 800 | 1000 | 22.46 | U10137 |
| UHPP 12 | HEAVY-DUTY PLINTH PROFILES | 1000 | 1200 | 28.05 | U10139 |
| UHPP 14 | HEAVY-DUTY PLINTH PROFILES | 1200 | 1400 | 32.00 | U10141 |
| UHPP 16 | HEAVY-DUTY PLINTH PROFILES | 1400 | 1600 | 40.02 | U10143 |
| UHPP 18 | HEAVY-DUTY PLINTH PROFILES | 1600 | 1800 | 43.00 | U10145 |
| UHPP 20 | HEAVY-DUTY PLINTH PROFILES | 1800 | 2000 | 50.08 | U10146 |
| UHPP 22 | HEAVY-DUTY PLINTH PROFILES | 2000 | 2200 | 57.16 | U10147 |

HEAVY-DUTY CLAMPING ANGLES ■
HOT DIP GALVANIZED

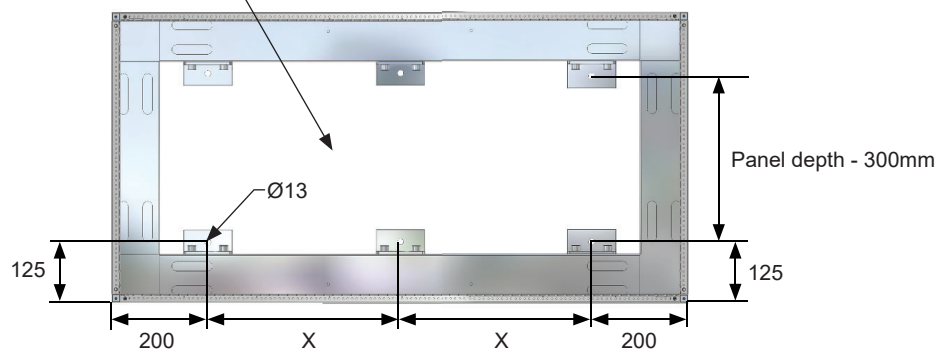


| CAT. No. | DESCRIPTION | WEIGHT (kg) | ORDER NO. |
|----------|----------------------------|-------------|-----------|
| UHCB | HEAVY-DUTY CLAMPING ANGLES | 3.01 | U10155 |



Panels with busbar system over 1800kg require heavy-duty plinth

If necessary

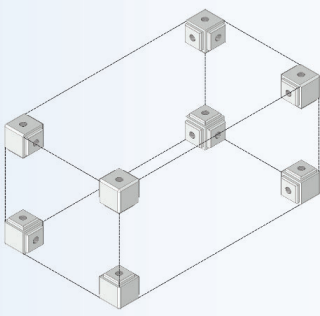


X = Multiple of 200 (Ex. 400,600,800,1000)

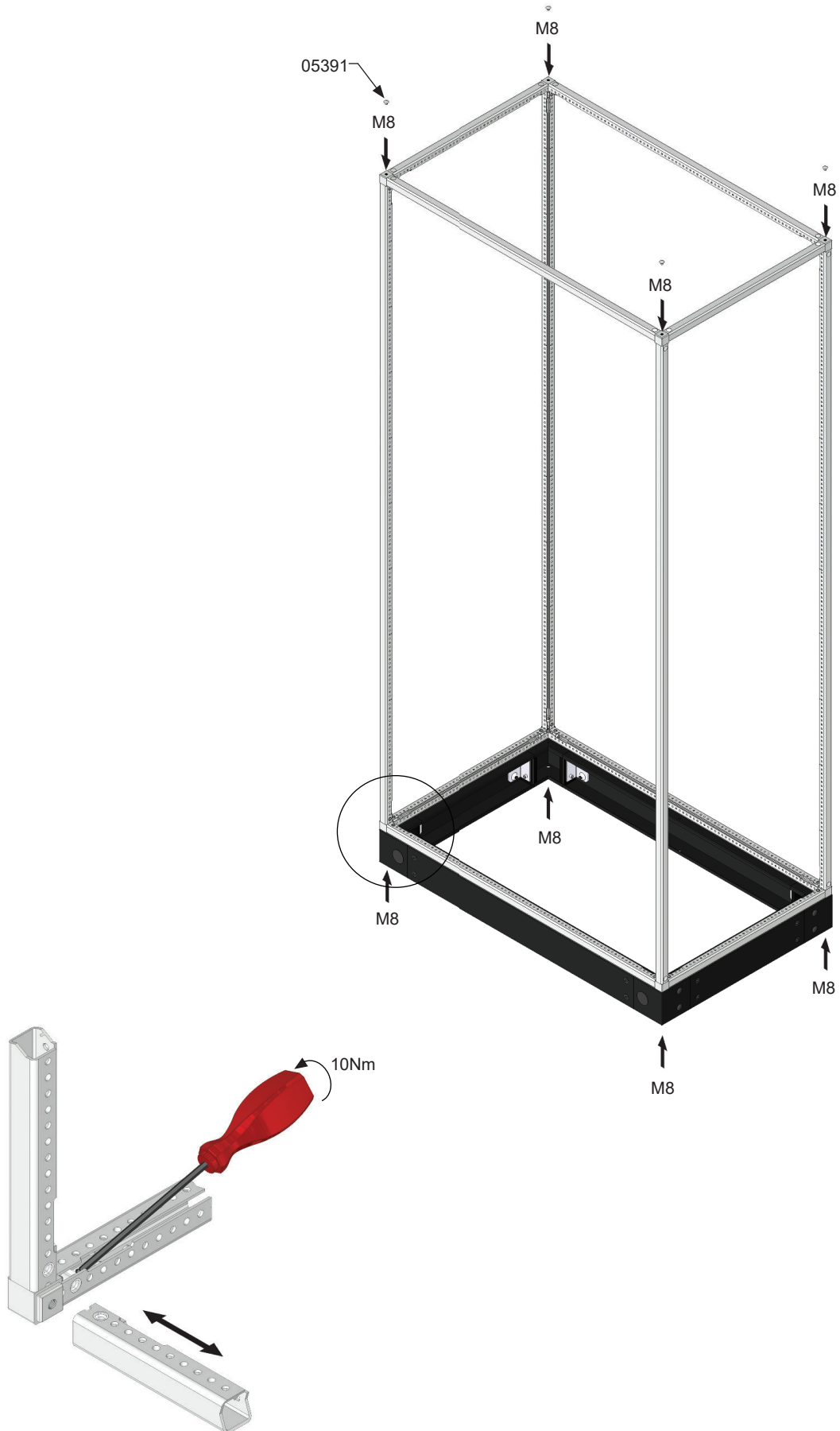
1

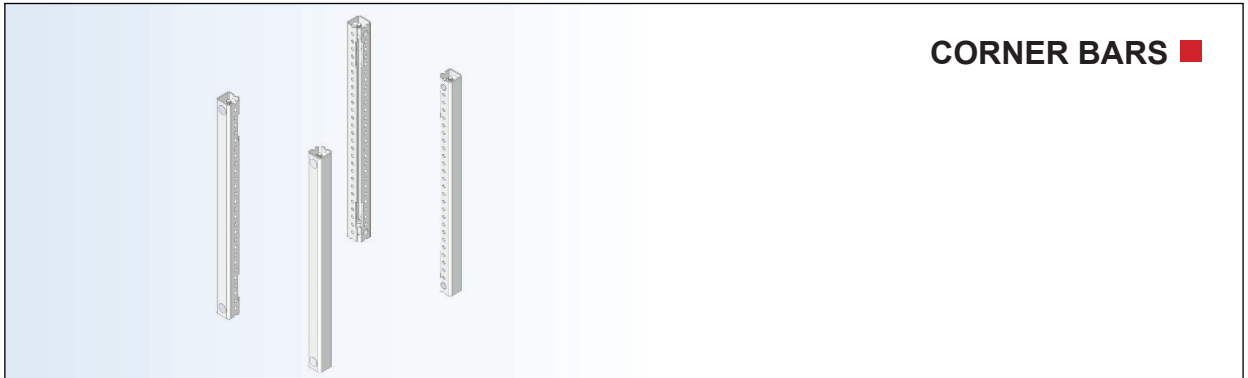
TECHNO MODULE

CORNERS ■



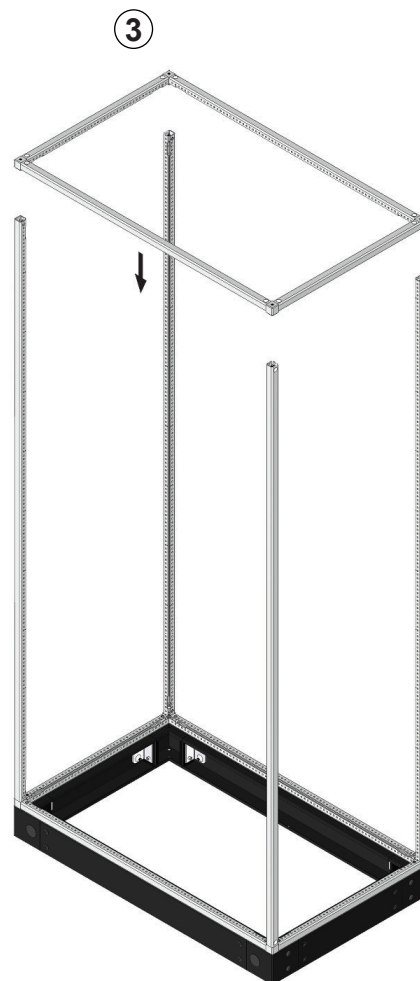
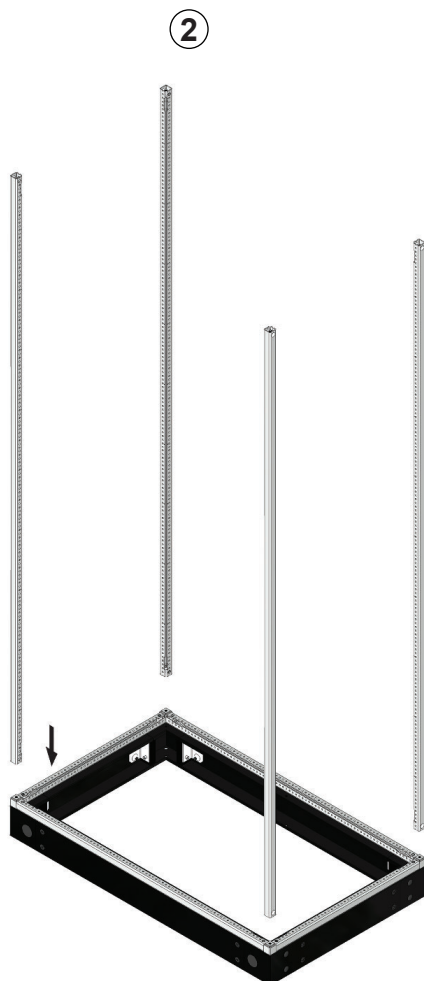
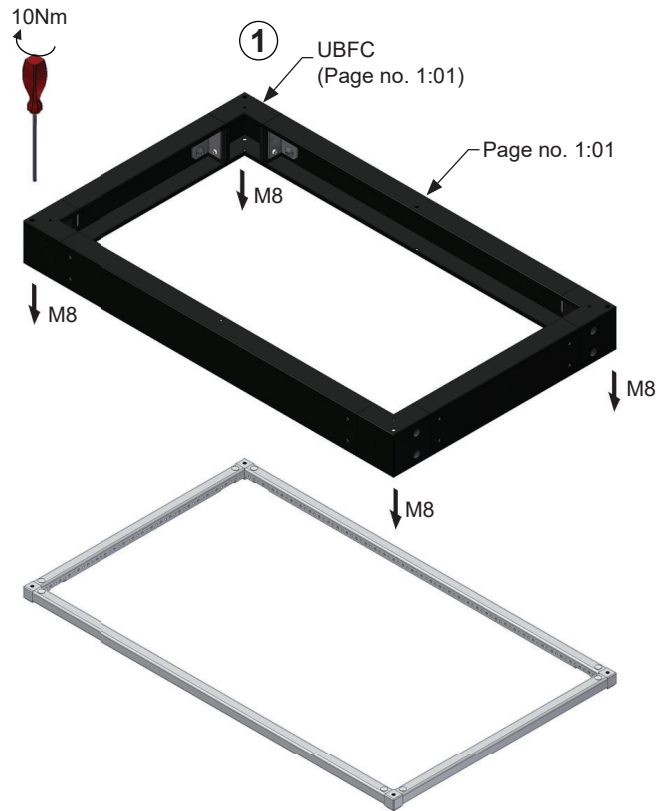
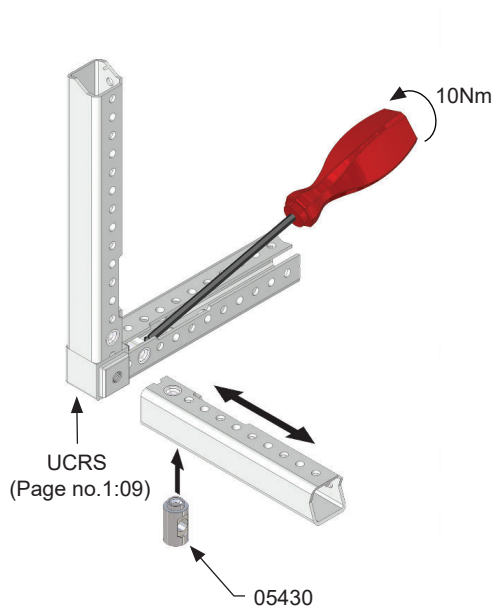
| CAT. No. | DESCRIPTION | WEIGHT (kg) | ORDER NO. Aluminium | ORDER NO. RAL 7035 FTf. |
|----------|-------------|-------------|------------------------|----------------------------|
| UCRS | CORNERS | 0.38 | U10186 | U10184 |

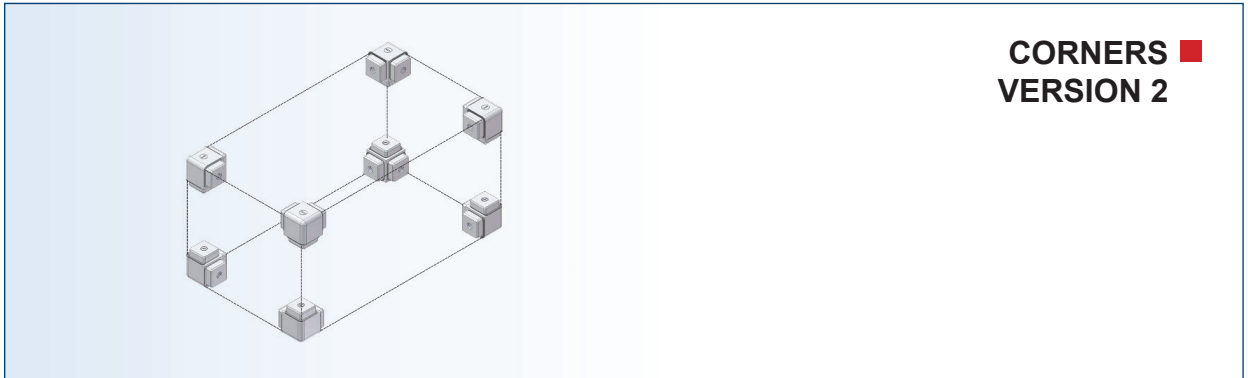




CORNER BARS ■

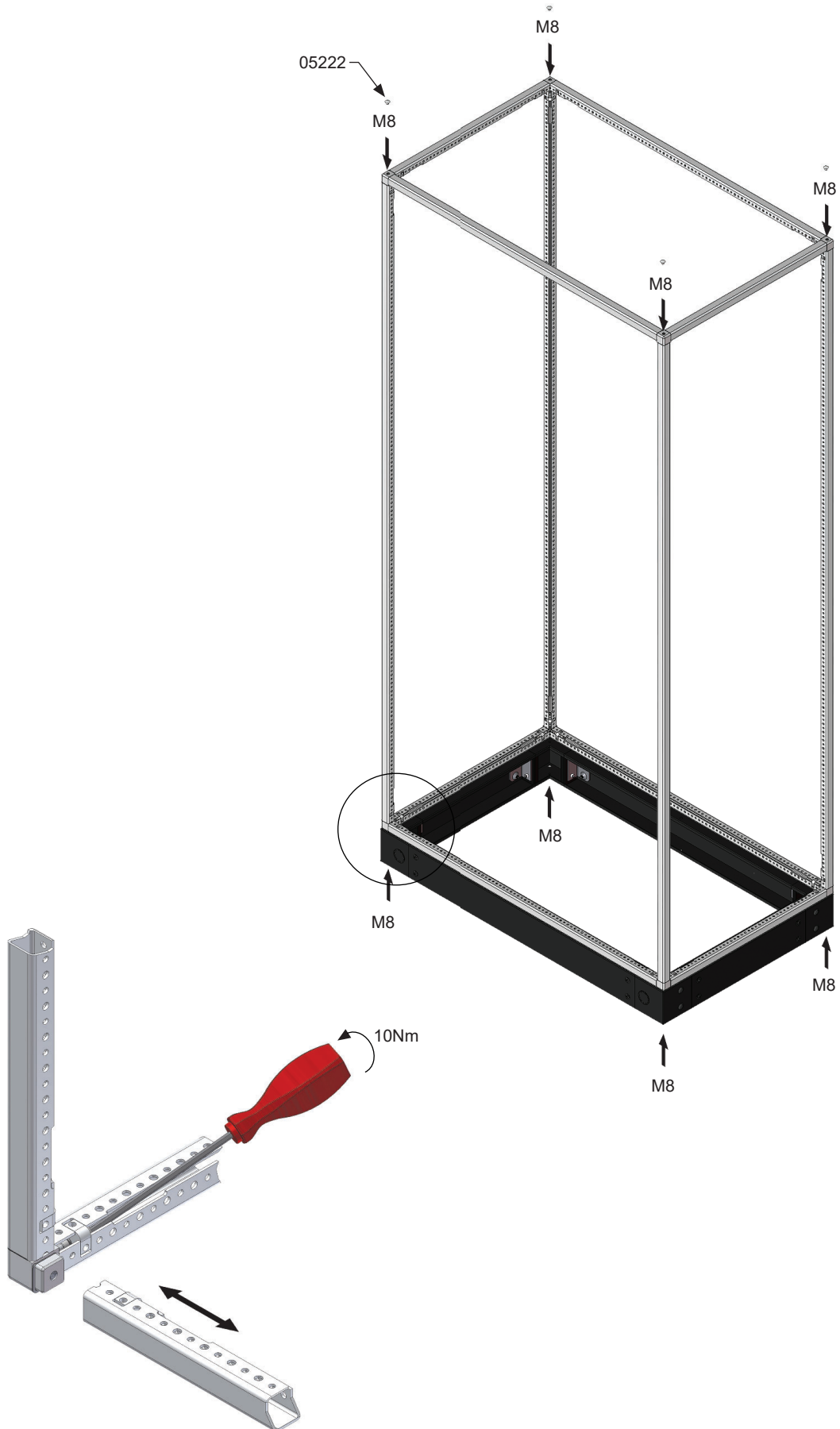
| CAT. No. | DESCRIPTION | WEIGHT (kg) | ORDER NO. Alu Zinc | ORDER No. RAL 7035 FTF. |
|----------|------------------|-------------|-----------------------|----------------------------|
| UCB 2 | CORNER BARS 200 | 0.94 | U10216 | U10214 |
| UCB 3 | CORNER BARS 300 | 1.42 | U10226 | U10224 |
| UCB 4 | CORNER BARS 400 | 1.88 | U10236 | U10234 |
| UCB 6 | CORNER BARS 600 | 2.78 | U10246 | U10244 |
| UCB 8 | CORNER BARS 800 | 3.08 | U10256 | U10254 |
| UCB 10 | CORNER BARS 1000 | 4.64 | U10266 | U10264 |
| UCB 12 | CORNER BARS 1200 | 5.56 | U10276 | U10274 |
| UCB 14 | CORNER BARS 1400 | 6.05 | U10286 | U10284 |
| UCB 16 | CORNER BARS 1600 | 7.38 | U10296 | U10294 |
| UCB 18 | CORNER BARS 1800 | 8.46 | U10306 | U10304 |
| UCB 20 | CORNER BARS 2000 | 9.54 | U10316 | U10314 |
| UCB 22 | CORNER BARS 2200 | 10.40 | U10326 | U10324 |
| UCB 24 | CORNER BARS 2400 | 11.28 | U10336 | U10334 |



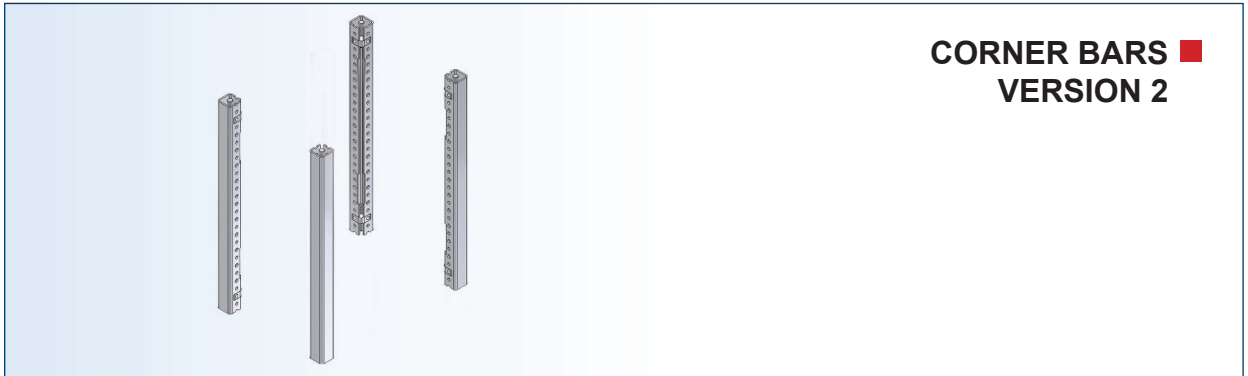


CORNERS ■
VERSION 2

| TYPE | DESCRIPTION | WEIGHT (kg) | VERSION 2 ORDER NO. RAL 7035 FTf. |
|------|-------------|-------------|---|
| UCRS | CORNERS | 0.38 | U16584 |

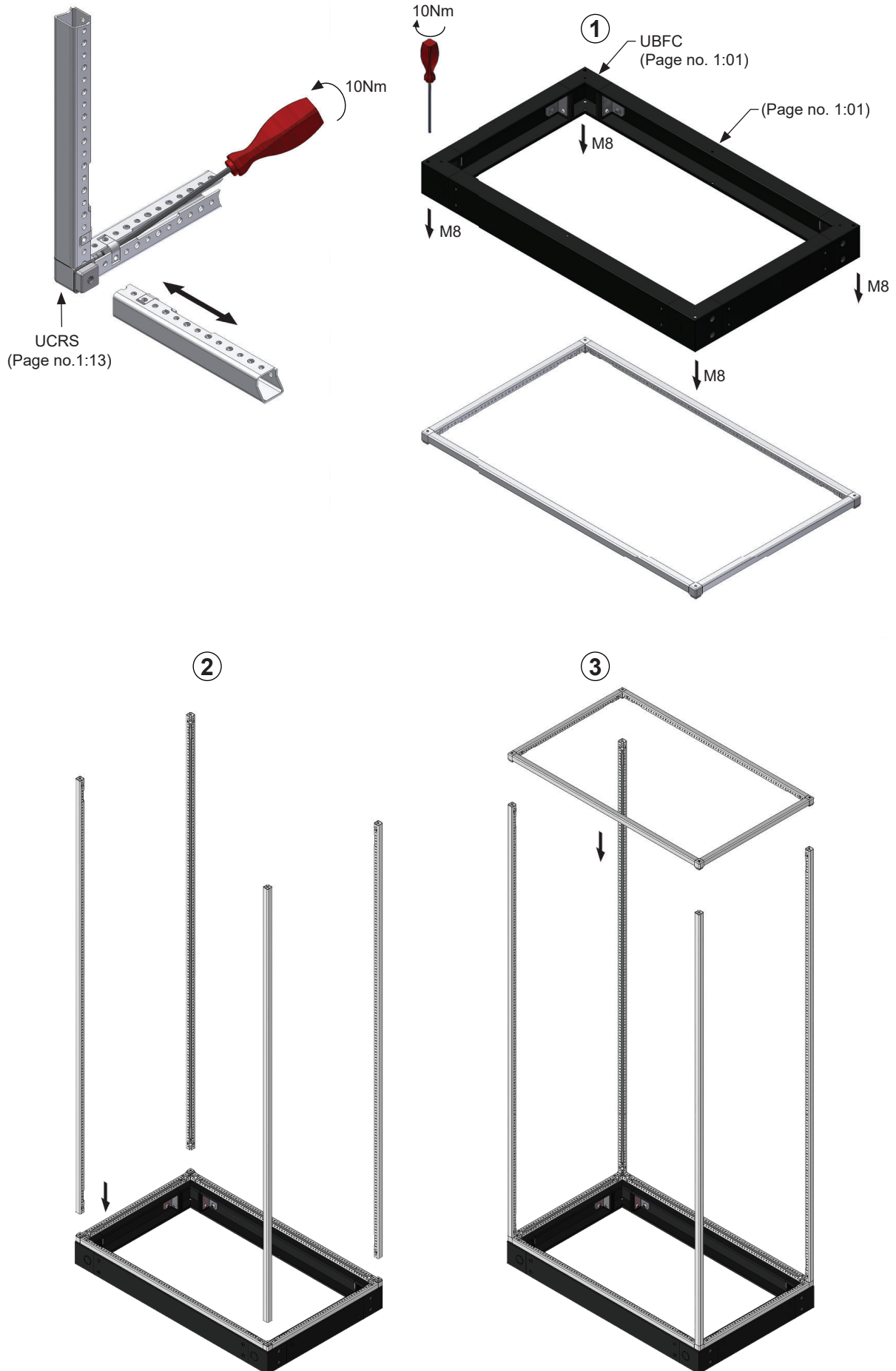


Version 2 Corners must be assembled with Version 2 Corner Bars.



CORNER BARS ■ VERSION 2

| TYPE | DESCRIPTION | PANEL SIZE | WEIGHT (kg) | VERSION 2 ORDER NO. RAL 7035 FTF. |
|--------|-------------|------------|-------------|---|
| UCB 2 | CORNER BARS | 200 | 0.94 | U16614 |
| UCB 3 | CORNER BARS | 300 | 1.42 | U16624 |
| UCB 4 | CORNER BARS | 400 | 1.88 | U16634 |
| UCB 6 | CORNER BARS | 600 | 2.78 | U16644 |
| UCB 8 | CORNER BARS | 800 | 3.08 | U16654 |
| UCB 10 | CORNER BARS | 1000 | 4.64 | U16664 |
| UCB 12 | CORNER BARS | 1200 | 5.56 | U16674 |
| UCB 14 | CORNER BARS | 1400 | 6.05 | U16684 |
| UCB 16 | CORNER BARS | 1600 | 7.38 | U16694 |
| UCB 18 | CORNER BARS | 1800 | 8.46 | U16704 |
| UCB 20 | CORNER BARS | 2000 | 9.54 | U16714 |
| UCB 22 | CORNER BARS | 2200 | 10.40 | U16724 |
| UCB 24 | CORNER BARS | 2400 | 11.28 | U16734 |

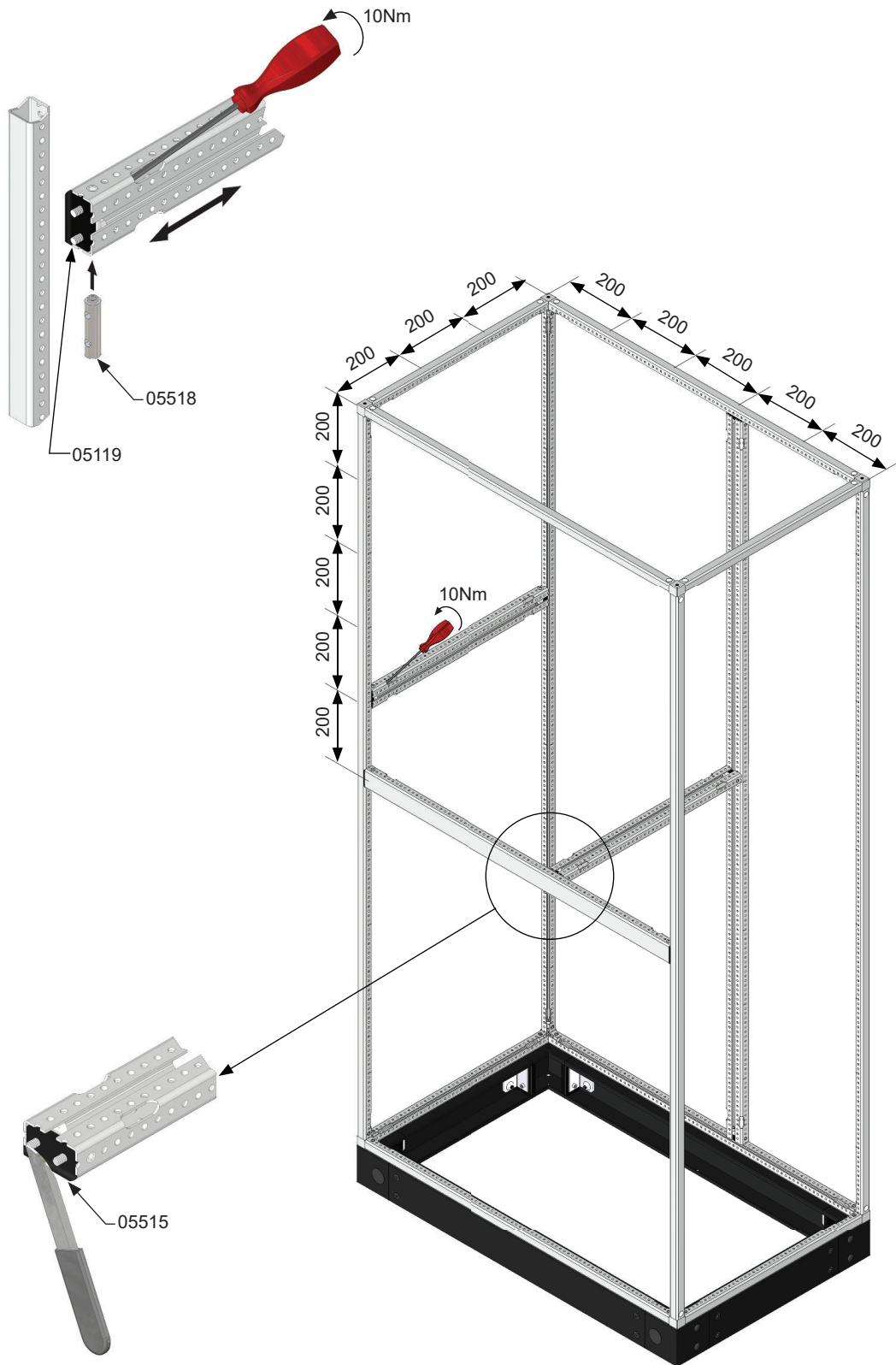


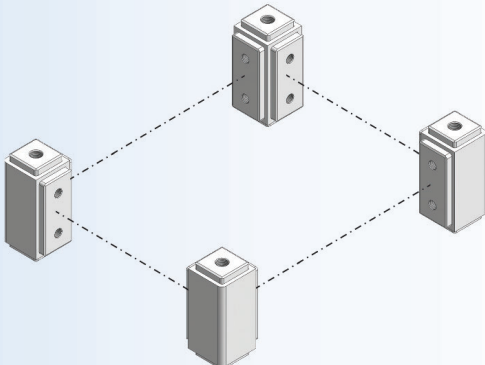
Version 2 Corners must be assembled with Version 2 Corner Bars.



CROSS BAR ■

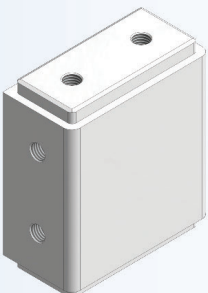
| CAT. No. | DESCRIPTION | WEIGHT (kg) | ORDER NO. Alu Zinc | ORDER No. RAL 7035 FTF. |
|----------|----------------|-------------|-----------------------|----------------------------|
| UCBS 2 | CROSS BAR 200 | 0.36 | U10356 | U10354 |
| UCBS 4 | CROSS BAR 400 | 0.73 | U10366 | U10364 |
| UCBS 6 | CROSS BAR 600 | 1.13 | U10376 | U10374 |
| UCBS 8 | CROSS BAR 800 | 1.46 | U10386 | U10384 |
| UCBS 10 | CROSS BAR 1000 | 1.83 | U10396 | U10394 |
| UCBS 12 | CROSS BAR 1200 | 2.21 | U10406 | U10404 |
| UCBS 14 | CROSS BAR 1400 | 2.56 | U10416 | U10414 |
| UCBS 16 | CROSS BAR 1600 | 2.97 | U10426 | U10424 |
| UCBS 18 | CROSS BAR 1800 | 3.33 | U10436 | U10434 |
| UCBS 20 | CROSS BAR 2000 | 3.07 | U10446 | U10444 |
| UCBS 22 | CROSS BAR 2200 | 4.13 | U10456 | U10454 |
| UCBS 24 | CROSS BAR 2400 | 4.40 | U10466 | U10464 |





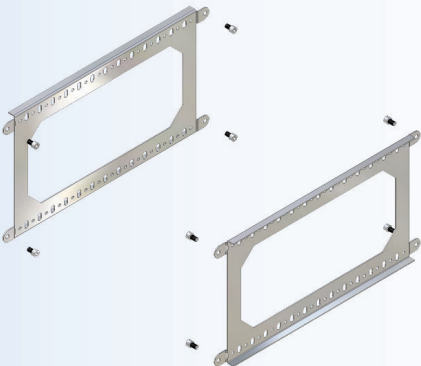
EXTENDED CORNERS ■

| CAT. No. | DESCRIPTION | SIZE (W×H×D) | WEIGHT (kg) | ORDER No. RAL 7035 FTF. |
|----------|------------------|--------------|-------------|----------------------------|
| UEC | EXTENDED CORNERS | 25 x 50 x 25 | 0.43 | U10194 |



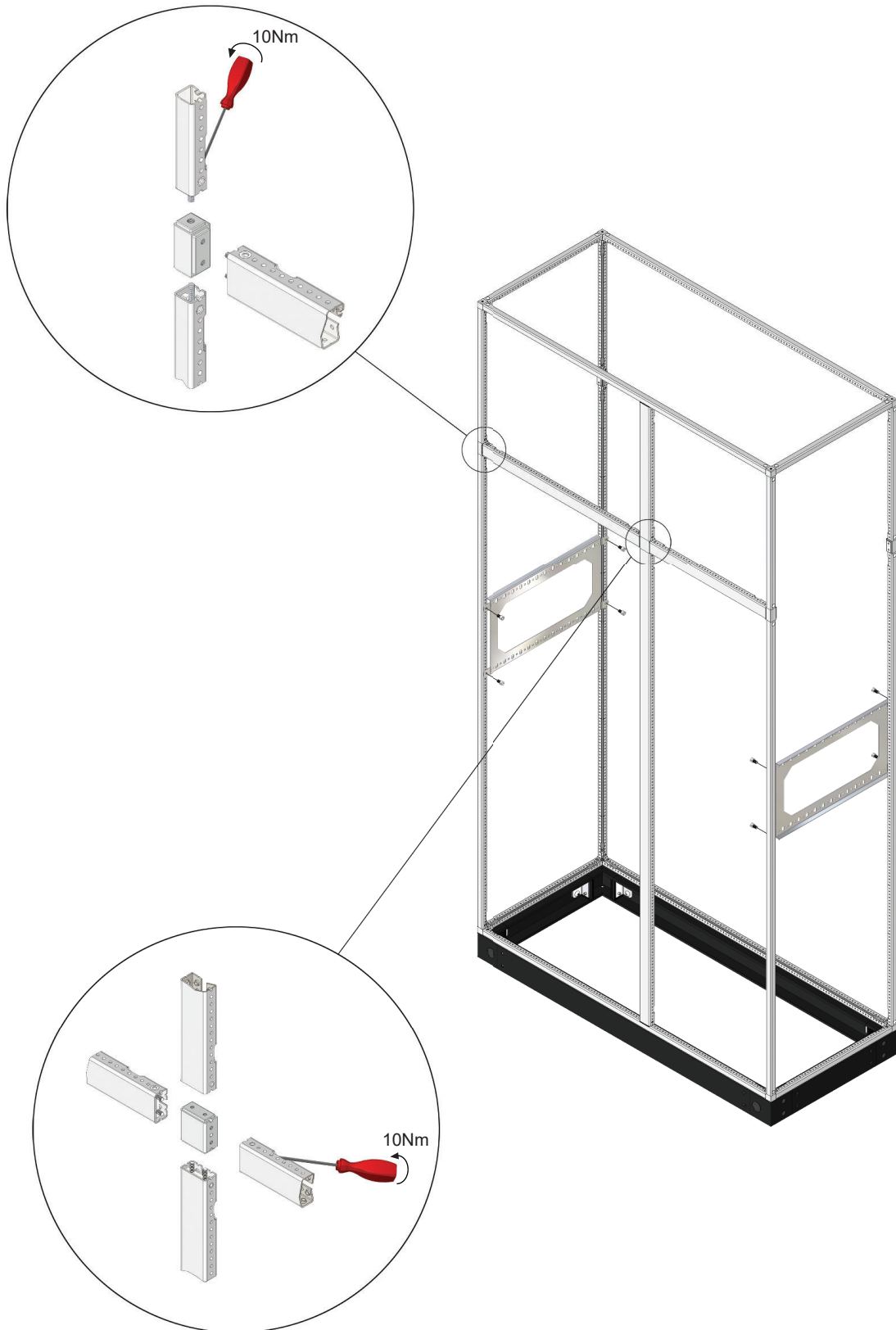
EXTENDED CROSS BAR CORNER ■

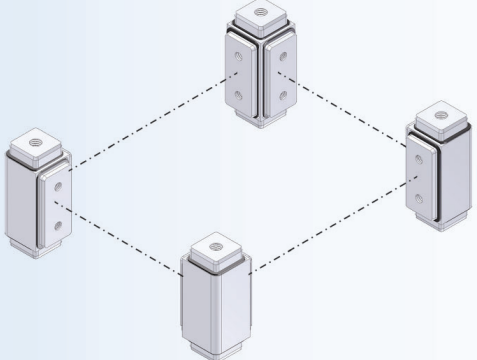
| CAT. No. | DESCRIPTION | SIZE (W×H×D) | WEIGHT (kg) | ORDER No. RAL 7035 FTF. |
|----------|---------------------------|--------------|-------------|----------------------------|
| UCBC | EXTENDED CROSS BAR CORNER | 50 × 50 × 25 | 0.18 | U10204 |



FRAME SUPPORTERS ■


| CAT. No. | DESCRIPTION | PANEL DEPTH | WEIGHT (kg) | ORDER No. Zinc Plated |
|----------|------------------|-------------|-------------|--------------------------|
| UFSP 2 | FRAME SUPPORTERS | 200 | 0.53 | U15620 |
| UFSP 3 | FRAME SUPPORTERS | 300 | 0.65 | U15630 |
| UFSP 4 | FRAME SUPPORTERS | 400 | 0.09 | U15640 |
| UFSP 6 | FRAME SUPPORTERS | 600 | 1.03 | U15650 |
| UFSP 8 | FRAME SUPPORTERS | 800 | 1.62 | U15660 |
| UFSP 10 | FRAME SUPPORTERS | 1000 | 2.65 | U15665 |





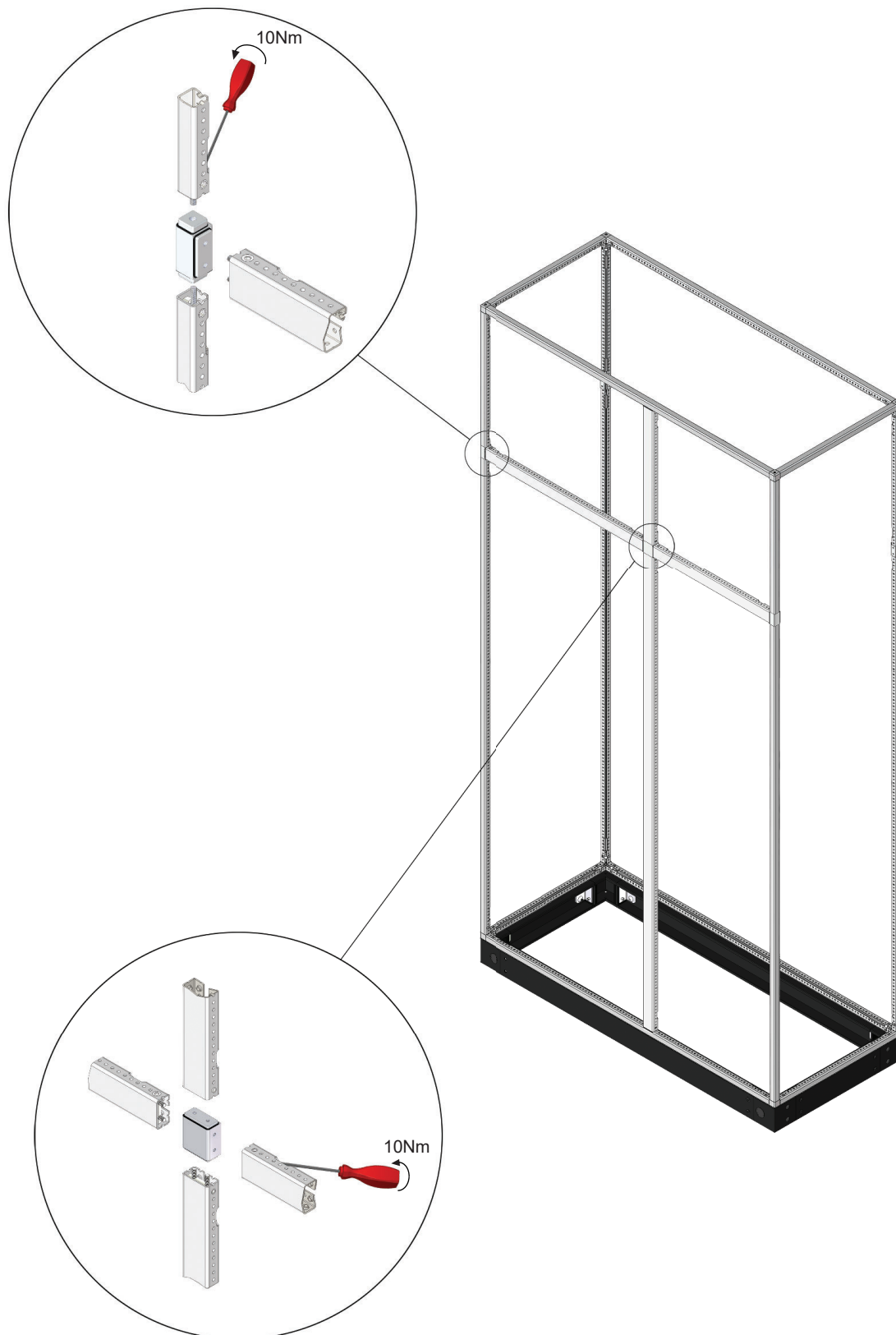
**EXTENDED CORNERS ■
VERSION 2**

| TYPE | DESCRIPTION | SIZE (W×H×D) | WEIGHT (kg) | VERSION 2 ORDER NO. RAL 7035 FTf. |
|------|------------------|--------------|-------------|--------------------------------------|
| UEC | EXTENDED CORNERS | 25×50×25 | 0.43 | U16594 |

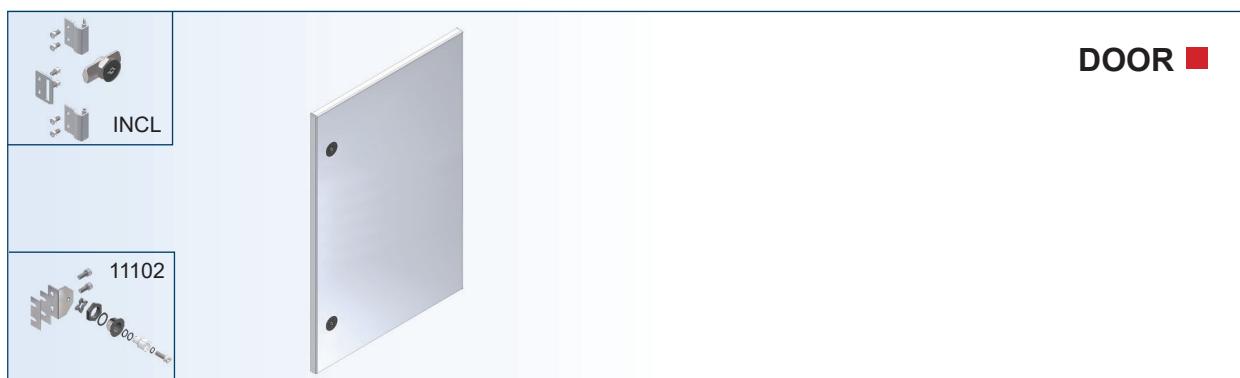


**EXTENDED CROSS BAR CORNER ■
VERSION 2**

| TYPE | DESCRIPTION | SIZE (W×H×D) | WEIGHT (kg) | VERSION 2 ORDER NO. RAL 7035 FTf. |
|------|---------------------------|--------------|-------------|--------------------------------------|
| UCBC | EXTENDED CROSS BAR CORNER | 50×50×25 | 0.18 | U16604 |

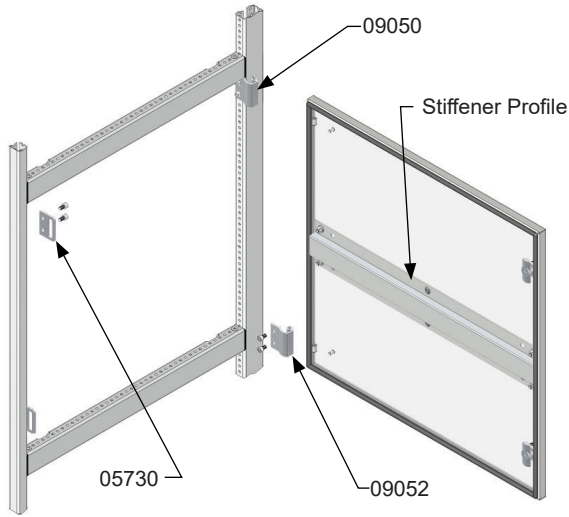


Version 2 Corners must be assembled with Version 2 Corner Bars.

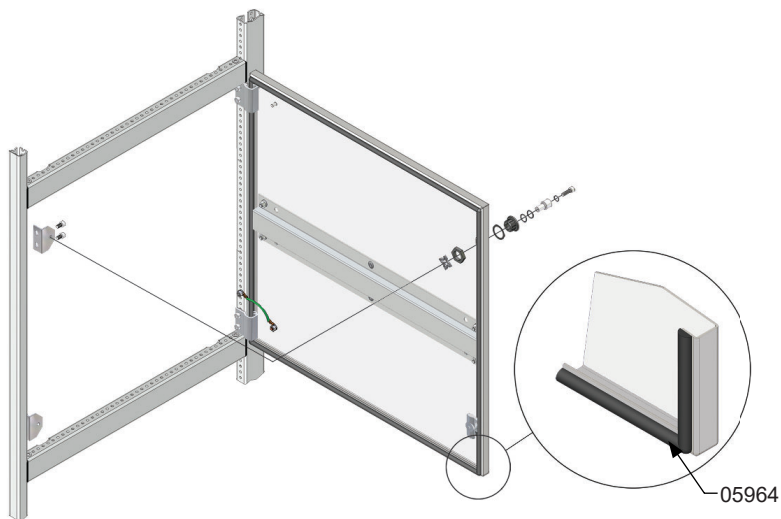
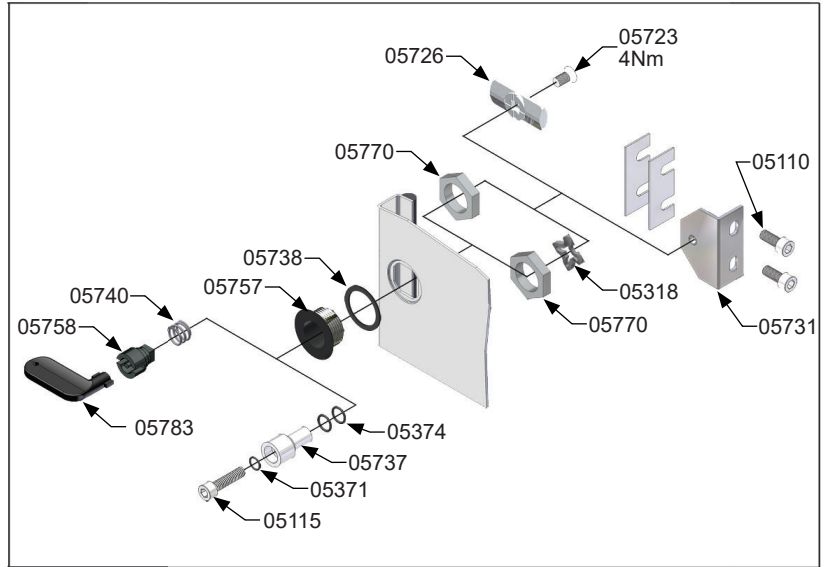


| CAT. No. | DESCRIPTION | SIZE (W×H) | LOCKS | WEIGHT (kg) | VERSION 3 ORDER No. RAL 7035 FTF. |
|----------|-------------|------------|-------|-------------|-----------------------------------|
| UDO 2.2 | DOOR | 200 × 200 | 1 | 0.76 | U10487 |
| UDO 2.4 | DOOR | 200 × 400 | 2 | 1.53 | U10497 |
| UDO 2.6 | DOOR | 200 × 600 | 2 | 2.19 | U10507 |
| UDO 2.8 | DOOR | 200 × 800 | 3 | 2.81 | U10517 |
| UDO 2.10 | DOOR | 200 × 1000 | 3 | 3.28 | U10527 |
| UDO 2.12 | DOOR | 200 × 1200 | 3 | 4.14 | U10537 |
| UDO 2.14 | DOOR | 200 × 1400 | 3 | 4.79 | U10547 |
| UDO 2.16 | DOOR | 200 × 1600 | 4 | 5.44 | U10557 |
| UDO 2.18 | DOOR | 200 × 1800 | 4 | 5.95 | U10567 |
| UDO 2.20 | DOOR | 200 × 2000 | 4 | 6.59 | U10577 |
| UDO 2.22 | DOOR | 200 × 2200 | 4 | 7.26 | U10587 |
| UDO 4.2 | DOOR | 400 × 200 | 1 | 1.58 | U10607 |
| UDO 4.3 | DOOR | 400 × 300 | 1 | 2.08 | U10617 |
| UDO 4.4 | DOOR | 400 × 400 | 2 | 2.61 | U10627 |
| UDO 4.6 | DOOR | 400 × 600 | 2 | 3.68 | U10637 |
| UDO 4.8 | DOOR | 400 × 800 | 3 | 5.00 | U10647 |
| UDO 4.10 | DOOR | 400 × 1000 | 3 | 5.76 | U10657 |
| UDO 4.12 | DOOR | 400 × 1200 | 3 | 7.15 | U10667 |
| UDO 4.14 | DOOR | 400 × 1400 | 3 | 8.01 | U10677 |
| UDO 4.16 | DOOR | 400 × 1600 | 4 | 9.09 | U10687 |
| UDO 4.18 | DOOR | 400 × 1800 | 4 | 10.13 | U10697 |
| UDO 4.20 | DOOR | 400 × 2000 | 4 | 11.64 | U10707 |
| UDO 4.22 | DOOR | 400 × 2200 | 4 | 12.80 | U10717 |
| UDO 6.2 | DOOR | 600 × 200 | 1 | 2.11 | U10737 |
| UDO 6.3 | DOOR | 600 × 300 | 1 | 3.04 | U10747 |
| UDO 6.4 | DOOR | 600 × 400 | 2 | 3.82 | U10757 |
| UDO 6.6 | DOOR | 600 × 600 | 2 | 5.19 | U10767 |
| UDO 6.8 | DOOR | 600 × 800 | 3 | 7.13 | U10777 |
| UDO 6.10 | DOOR | 600 × 1000 | 3 | 8.72 | U10787 |
| UDO 6.12 | DOOR | 600 × 1200 | 3 | 10.40 | U10797 |
| UDO 6.14 | DOOR | 600 × 1400 | 3 | 11.72 | U10807 |
| UDO 6.16 | DOOR | 600 × 1600 | 4 | 13.84 | U10817 |
| UDO 6.18 | DOOR | 600 × 1800 | 4 | 15.17 | U10827 |
| UDO 6.20 | DOOR | 600 × 2000 | 4 | 16.69 | U10837 |
| UDO 6.22 | DOOR | 600 × 2200 | 4 | 18.19 | U10847 |
| UDO 8.4 | DOOR | 800 × 400 | 2 | 5.04 | U10867 |
| UDO 8.6 | DOOR | 800 × 600 | 2 | 6.99 | U10877 |
| UDO 8.8 | DOOR | 800 × 800 | 3 | 8.65 | U10887 |
| UDO 8.10 | DOOR | 800 × 1000 | 3 | 11.35 | U10897 |
| UDO 8.12 | DOOR | 800 × 1200 | 3 | 13.48 | U10907 |
| UDO 8.14 | DOOR | 800 × 1400 | 3 | 15.59 | U10917 |
| UDO 8.16 | DOOR | 800 × 1600 | 4 | 18.11 | U10927 |
| UDO 8.18 | DOOR | 800 × 1800 | 4 | 19.66 | U10937 |
| UDO 8.20 | DOOR | 800 × 2000 | 4 | 22.45 | U10947 |
| UDO 8.22 | DOOR | 800 × 2200 | 4 | 24.13 | U10957 |

| CAT. No. | DESCRIPTION | WEIGHT (kg) | VERSION 3 ORDER NO. |
|----------|-------------------------|-------------|---------------------|
| UGBFD | GUIDE BRACKETS FOR DOOR | 0.038 | U11109 |

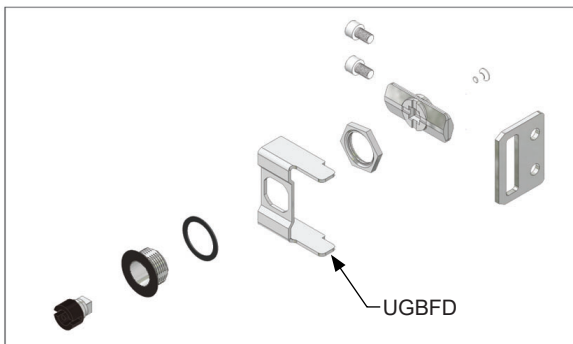


SPARE PARTS



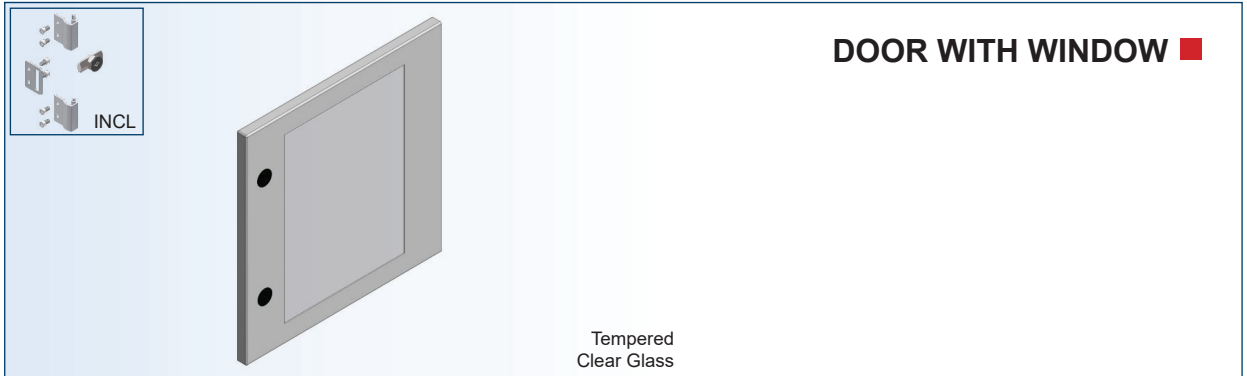
TECHNICAL INFORMATION

| TYPE | SIZE (W×H) | SHEET THICKNESS | STIFFENER PROFILE |
|----------|------------|-----------------|-------------------|
| UDO 2.2 | 186 × 186 | 1.5 | No |
| UDO 2.4 | 186 × 386 | 1.5 | Yes |
| UDO 2.6 | 186 × 586 | 1.5 | Yes |
| UDO 2.8 | 186 × 786 | 1.5 | Yes |
| UDO 2.10 | 186 × 986 | 1.5 | Yes |
| UDO 2.12 | 186 × 1186 | 1.5 | Yes |
| UDO 2.14 | 186 × 1386 | 1.5 | Yes |
| UDO 2.16 | 186 × 1586 | 1.5 | Yes |
| UDO 2.18 | 186 × 1786 | 1.5 | Yes |
| UDO 2.20 | 186 × 1986 | 1.5 | Yes |
| UDO 2.22 | 186 × 2186 | 1.5 | Yes |
| UDO 4.2 | 386 × 186 | 1.5 | No |
| UDO 4.3 | 386 × 286 | 1.5 | No |
| UDO 4.4 | 386 × 386 | 1.5 | Yes |
| UDO 4.6 | 386 × 586 | 1.5 | Yes |
| UDO 4.8 | 386 × 786 | 1.5 | Yes |
| UDO 4.10 | 386 × 986 | 1.5 | Yes |
| UDO 4.12 | 386 × 1186 | 1.5 | Yes |
| UDO 4.14 | 386 × 1386 | 1.5 | Yes |
| UDO 4.16 | 386 × 1586 | 1.5 | Yes |
| UDO 4.18 | 386 × 1786 | 1.5 | Yes |
| UDO 4.20 | 386 × 1986 | 1.5 | Yes |
| UDO 4.22 | 386 × 2186 | 1.5 | Yes |
| UDO 6.2 | 586 × 186 | 1.5 | No |
| UDO 6.3 | 586 × 286 | 1.5 | No |
| UDO 6.4 | 586 × 386 | 1.5 | Yes |
| UDO 6.6 | 586 × 586 | 1.5 | Yes |
| UDO 6.8 | 586 × 786 | 1.5 | Yes |
| UDO 6.10 | 586 × 986 | 1.5 | Yes |
| UDO 6.12 | 586 × 1186 | 1.5 | Yes |
| UDO 6.14 | 586 × 1386 | 1.5 | Yes |
| UDO 6.16 | 586 × 1586 | 1.5 | Yes |
| UDO 6.18 | 586 × 1786 | 1.5 | Yes |
| UDO 6.20 | 586 × 1986 | 1.5 | Yes |
| UDO 6.22 | 586 × 2186 | 1.5 | Yes |
| UDO 8.4 | 786 × 386 | 2.0 | Yes |
| UDO 8.6 | 786 × 586 | 2.0 | Yes |
| UDO 8.8 | 786 × 786 | 2.0 | Yes |
| UDO 8.10 | 786 × 986 | 2.0 | Yes |
| UDO 8.12 | 786 × 1186 | 2.0 | Yes |
| UDO 8.14 | 786 × 1386 | 2.0 | Yes |
| UDO 8.16 | 786 × 1586 | 2.0 | Yes |
| UDO 8.18 | 786 × 1786 | 2.0 | Yes |
| UDO 8.20 | 786 × 1986 | 2.0 | Yes |
| UDO 8.22 | 786 × 2186 | 2.0 | Yes |



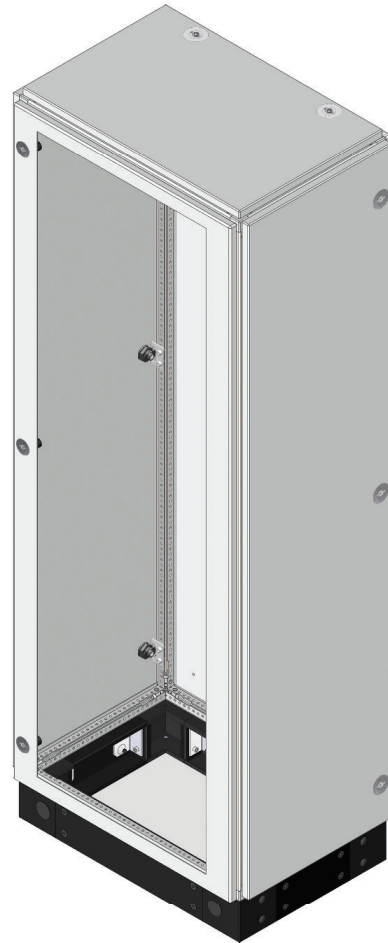
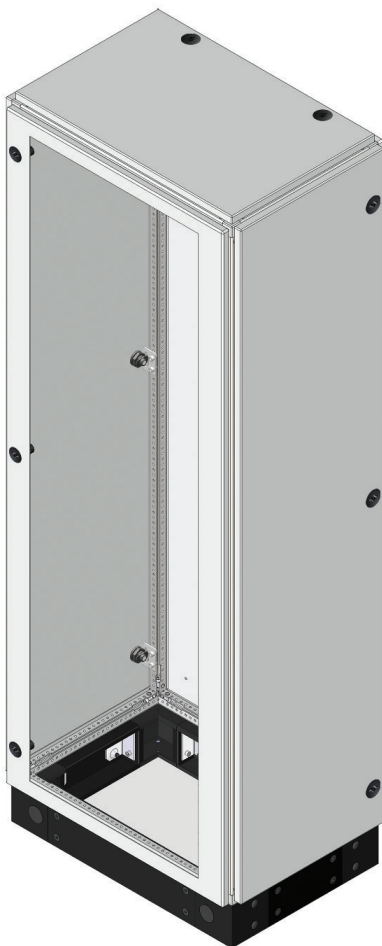
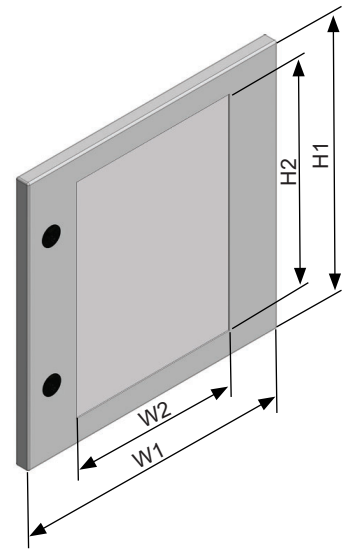
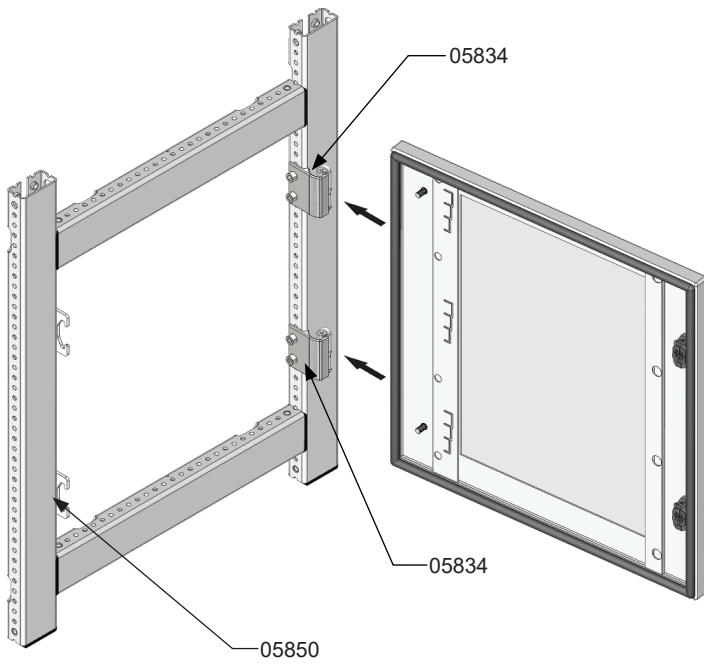
1

TECHNO MODULE



DOOR WITH WINDOW ■

| CAT. No. | DESCRIPTION | SIZE (W×H) | WINDOW SIZE (W×H) | WEIGHT (kg) | VERSION 3 ORDER No. RAL 7035 FTf. |
|----------|------------------|------------|-------------------|-------------|-----------------------------------|
| UDW 4.4 | DOOR WITH WINDOW | 400 × 400 | 260 × 320 | 2.51 | U11677 |
| UDW 4.6 | DOOR WITH WINDOW | 400 × 600 | 260 × 520 | 3.64 | U11687 |
| UDW 6.2 | DOOR WITH WINDOW | 600 × 200 | 460 × 120 | 2.00 | U11787 |
| UDW 6.4 | DOOR WITH WINDOW | 600 × 400 | 460 × 320 | 3.64 | U11797 |
| UDW 6.6 | DOOR WITH WINDOW | 600 × 600 | 460 × 520 | 5.28 | U11807 |
| UDW 6.16 | DOOR WITH WINDOW | 600 × 1600 | 460 × 1520 | 13.49 | U11857 |
| UDW 6.18 | DOOR WITH WINDOW | 600 × 1800 | 460 × 1720 | 15.13 | U11867 |
| UDW 6.20 | DOOR WITH WINDOW | 600 × 2000 | 460 × 1920 | 16.77 | U11877 |

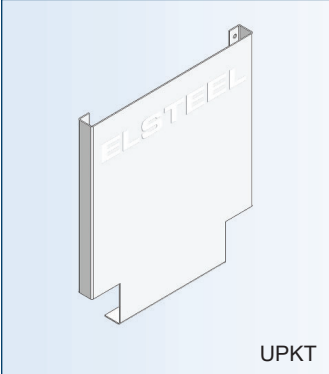
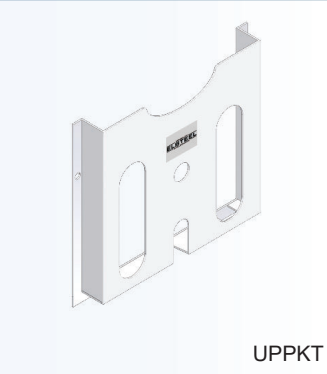


TECHNICAL INFORMATION

| TYPE | DOOR SIZE | | WINDOW SIZE | | SHEET THICKNESS |
|----------|-----------|------|-------------|-----|-----------------|
| | W1 | H1 | W2 | H2 | |
| UDW 4.4 | 386 | 386 | 260 | 305 | 1.5 |
| UDW 4.6 | 386 | 586 | 260 | 305 | 1.5 |
| UDW 6.2 | 586 | 186 | 305 | 120 | 2.0 |
| UDW 6.4 | 586 | 386 | 305 | 305 | 2.0 |
| UDW 6.6 | 586 | 586 | 305 | 305 | 2.0 |
| UDW 6.16 | 586 | 1586 | 305 | 305 | 2.0 |
| UDW 6.18 | 586 | 1786 | 305 | 305 | 2.0 |
| UDW 6.20 | 586 | 1986 | 305 | 305 | 2.0 |

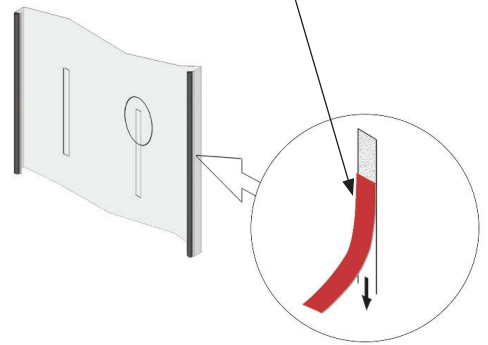
1

TECHNO MODULE

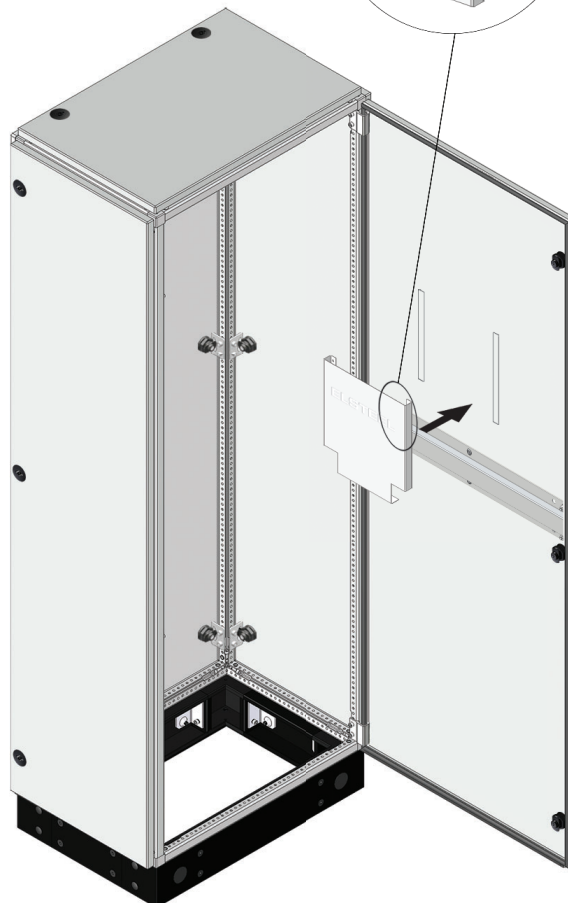
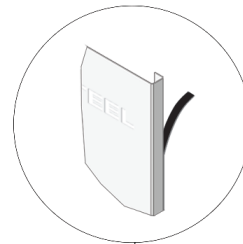
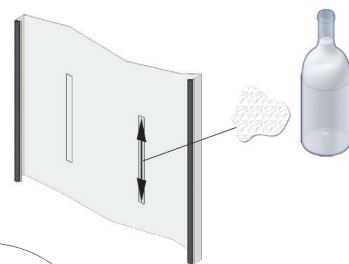
|  | |  | | POCKET ■ |
|---|------------------|---|----------------------------|-----------------|
| CAT. No. | DESCRIPTION | WEIGHT (kg) | ORDER No. RAL 9010 SMF. | |
| UPKT | POCKET - STEEL | 0.69 | U14441 | |
| UPPKT | POCKET - PLASTIC | 0.30 | U14446 | |



Emery cloth
grinding paper



White spirit

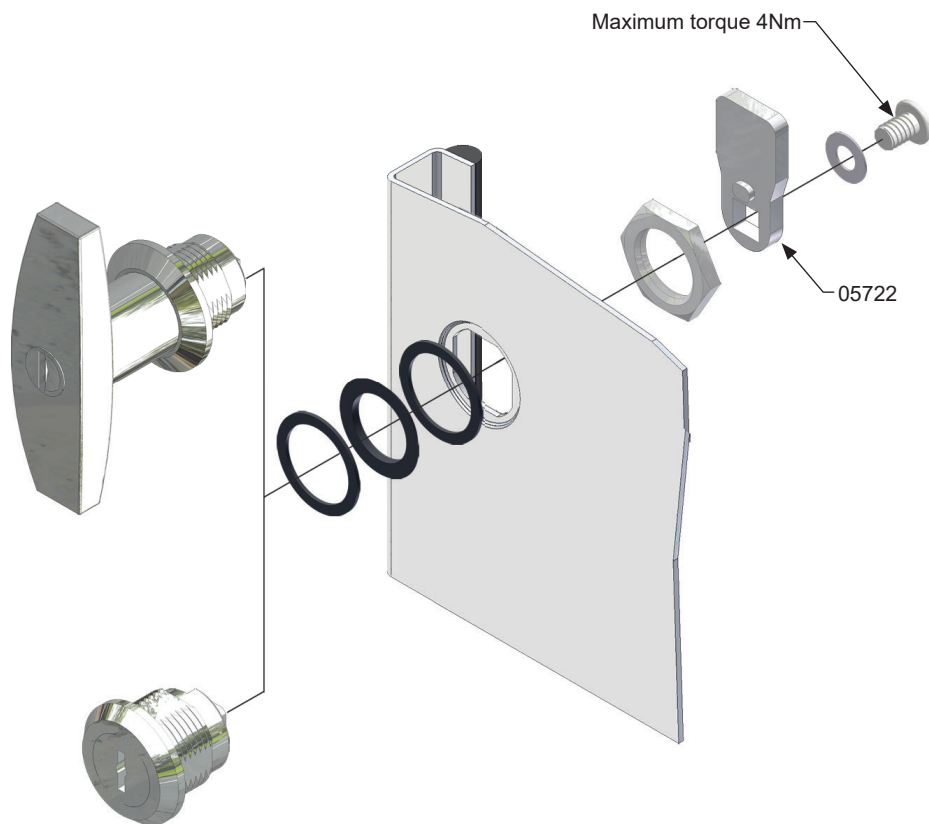
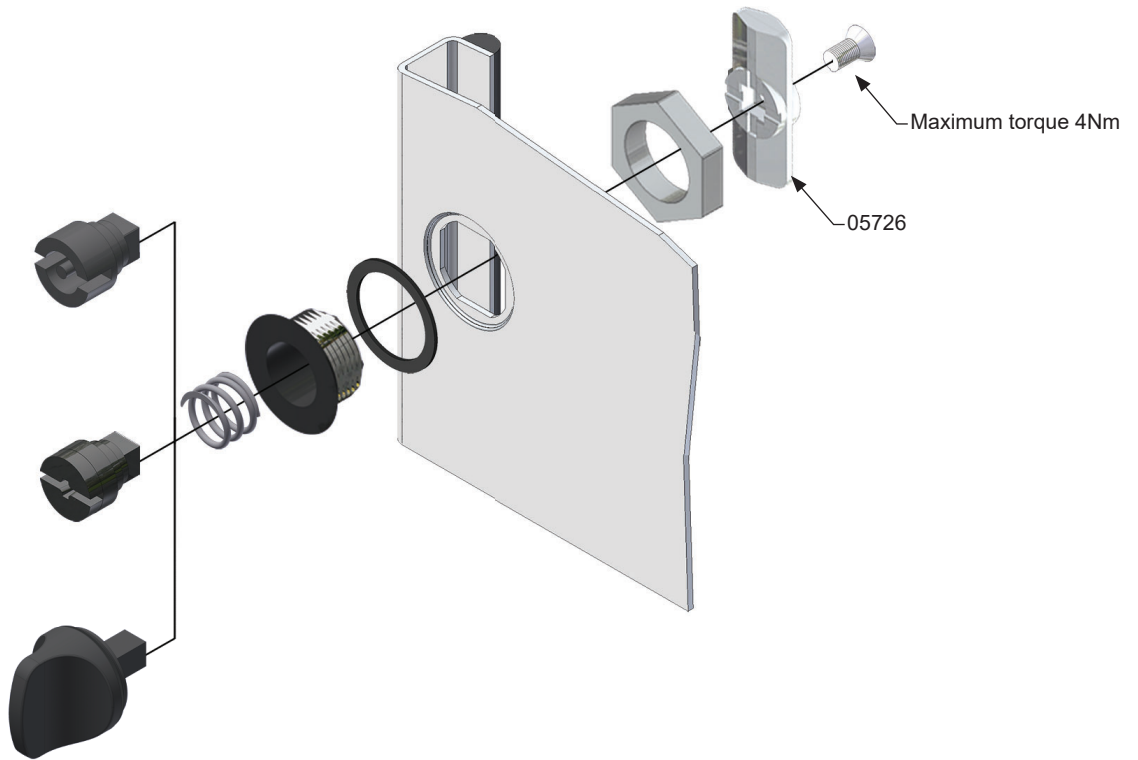


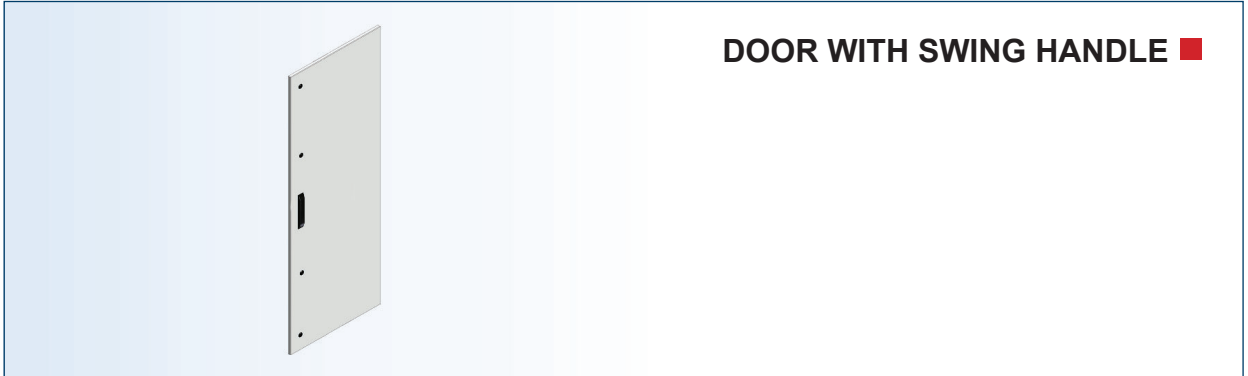
| | | SQUARE/ TRIANGLE ■ LOCK INSERT | |
|----------|---|-----------------------------------|---|
| SQI 8 |  | SQI 6 |  |
| | ×50 Nos. | | ×50 Nos. |
| TRI |  | SPZ |  |
| | ×50 Nos. | | ×50 Nos. |
| CAT. No. | DESCRIPTION | WEIGHT (kg) | VERSION 3 ORDER No. Steel black |
| USQI 8 | SQUARE 8mm | 0.02 | U12094 |
| USQI 6 | SQUARE 6mm | 0.01 | U12095 |
| UTRI | TRIANGULAR 8mm | 0.03 | U12096 |
| USPZ | SLOT 2×15+PH4 POZIDRIVE | 0.03 | U12097 |

| | | KNOB LOCK ■ | | |
|----------|---|-------------|---|---------------------------------|
| KLST |  | KLSB |  | |
| | ×50 Nos. | | ×50 Nos. | |
| CAT. No. | DESCRIPTION | WEIGHT (kg) | VERSION 3 ORDER No. AISI 316 | VERSION 3 ORDER No. Steel black |
| UKLST | KNOB LOCK - STAINLESS STEEL | 0.06 | U12088 | - |
| UKLSB | KNOB LOCK - STEEL BLACK | 0.06 | - | U12101 |

| | | KEY LOCK ■ | | |
|----------|---|-------------|---------------------------------|-------------------------------------|
| |  | | | |
| CAT. No. | DESCRIPTION | WEIGHT (kg) | VERSION 3 ORDER No. Keyed alike | VERSION 3 ORDER No. Keyed different |
| UKELS | KEY LOCK - STEEL | 0.07 | U12171 | U12173 |
| UKELP | KEY LOCK - PLASTIC | 0.04 | U12175 | U12176 |

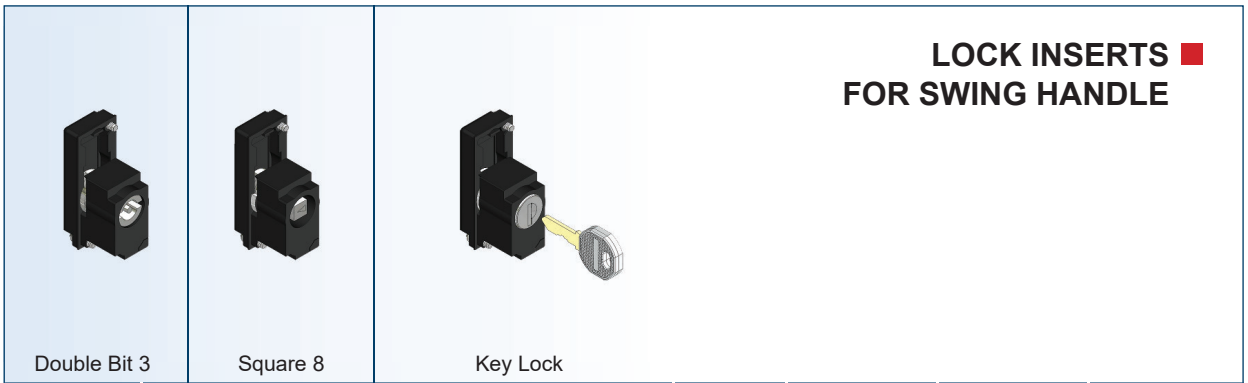
| | | T-HANDLE LOCK ■ | | | |
|----------|---|-----------------|---------------------------------|---------------------------------|-------------------------------------|
| |  | | | | |
| CAT. No. | DESCRIPTION | WEIGHT (kg) | VERSION 3 ORDER No. Non locking | VERSION 3 ORDER No. Keyed alike | VERSION 3 ORDER No. Keyed different |
| UTHLC | T-HANDLE LOCK - CHROME PLATED | 0.16 | U12207 | U12208 | U12209 |
| UTHLB | T-HANDLE LOCK - POLYAMIDE BLACK | 0.10 | U12199 | U12201 | U12203 |





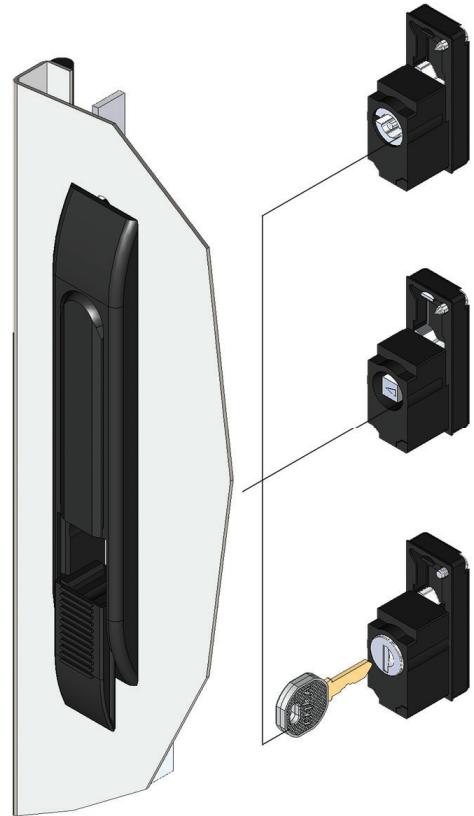
DOOR WITH SWING HANDLE ■

| CAT. No. | DESCRIPTION | SIZE (W×H) | WEIGHT (kg) | VERSION 3 ORDER No. RAL 7035 FTF. |
|------------|------------------------|------------|-------------|-----------------------------------|
| UDWSH 6.10 | DOOR WITH SWING HANDLE | 600 × 1000 | 8.80 | U12307 |
| UDWSH 6.12 | DOOR WITH SWING HANDLE | 600 × 1200 | 10.56 | U12317 |
| UDWSH 6.14 | DOOR WITH SWING HANDLE | 600 × 1400 | 2.22 | U12327 |
| UDWSH 6.16 | DOOR WITH SWING HANDLE | 600 × 1600 | 8.80 | U12337 |
| UDWSH 6.18 | DOOR WITH SWING HANDLE | 600 × 1800 | 10.56 | U12347 |
| UDWSH 6.20 | DOOR WITH SWING HANDLE | 600 × 2000 | 2.22 | U12357 |
| UDWSH 6.22 | DOOR WITH SWING HANDLE | 600 × 2200 | 14.00 | U12367 |
| UDWSH 8.10 | DOOR WITH SWING HANDLE | 800 × 1000 | 11.73 | U12377 |
| UDWSH 8.12 | DOOR WITH SWING HANDLE | 800 × 1200 | 14.01 | U12387 |
| UDWSH 8.14 | DOOR WITH SWING HANDLE | 800 × 1400 | 15.80 | U12397 |
| UDWSH 8.16 | DOOR WITH SWING HANDLE | 600 × 1600 | 15.40 | U12407 |
| UDWSH 8.18 | DOOR WITH SWING HANDLE | 600 × 1800 | 17.60 | U12417 |
| UDWSH 8.20 | DOOR WITH SWING HANDLE | 600 × 2000 | 19.10 | U12427 |
| UDWSH 8.22 | DOOR WITH SWING HANDLE | 800 × 2200 | 11.73 | U12437 |



LOCK INSERTS ■ FOR SWING HANDLE

| CAT. No. | DESCRIPTION | WEIGHT (kg) | ORDER No. Non locking | ORDER No. Keyed alike | ORDER No. Keyed different |
|----------|--------------|-------------|-----------------------|-----------------------|---------------------------|
| UDOB 3 | DOUBLE BIT 3 | 0.06 | U12100 | - | - |
| USQ 8 | SQUARE 8 | 0.05 | U12105 | - | - |
| UKLSH | KEY LOCK | 0.07 | - | U12111 | U12112 |



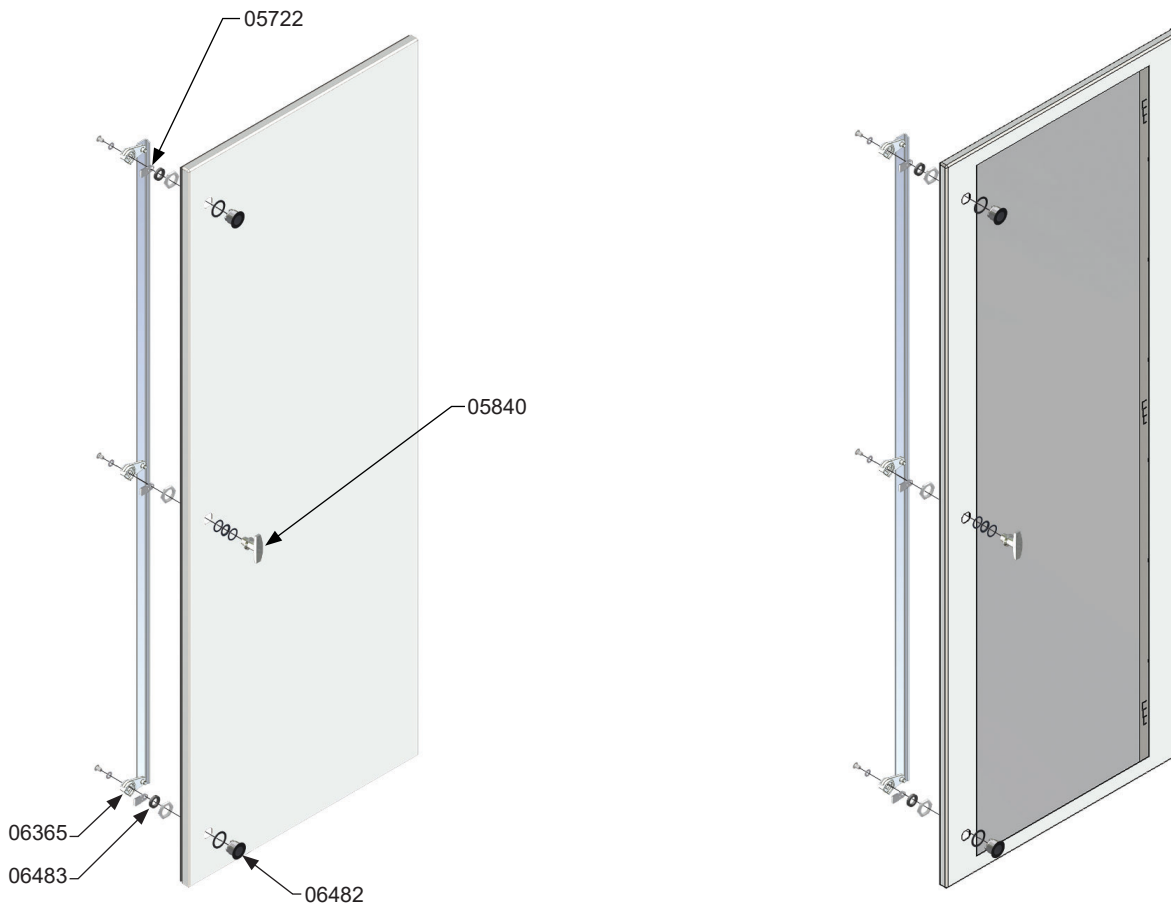
TECHNICAL INFORMATION

| TYPE | DOOR SIZE | | SHEET THICKNESS |
|------------|-----------|------|-----------------|
| | W | H | |
| UDWHN 6.10 | 586 | 986 | 1.5 |
| UDWHN 6.12 | 586 | 1186 | 1.5 |
| UDWHN 6.14 | 586 | 1386 | 1.5 |
| UDWHN 6.16 | 586 | 1586 | 1.5 |
| UDWHN 6.18 | 586 | 1786 | 1.5 |
| UDWHN 6.20 | 586 | 1986 | 1.5 |
| UDWHN 6.22 | 586 | 2186 | 1.5 |
| UDWHN 8.10 | 786 | 986 | 2.0 |
| UDWHN 8.12 | 786 | 1186 | 2.0 |
| UDWHN 8.14 | 786 | 1386 | 2.0 |
| UDWHN 8.16 | 786 | 1586 | 2.0 |
| UDWHN 8.18 | 786 | 1786 | 2.0 |
| UDWHN 8.20 | 786 | 1986 | 2.0 |
| UDWHN 8.22 | 786 | 2186 | 2.0 |



T-HANDLE LOCK CLOSING SYSTEM

| CAT. No. | DESCRIPTION | WEIGHT (kg) | VERSION 3 ORDER No. Non locking | VERSION 3 ORDER No. Keyed alike | VERSION 3 ORDER No. Keyed different |
|----------|------------------------------|-------------|------------------------------------|------------------------------------|--|
| UTHL 8 | T-HANDLE LOCK CLOSING SYSTEM | 0.26 | U12050 | U12060 | U12070 |
| UTHL 10 | T-HANDLE LOCK CLOSING SYSTEM | 0.87 | U12051 | U12061 | U12071 |
| UTHL 12 | T-HANDLE LOCK CLOSING SYSTEM | 0.95 | U12052 | U12062 | U12072 |
| UTHL 14 | T-HANDLE LOCK CLOSING SYSTEM | 1.04 | U12053 | U12063 | U12073 |
| UTHL 16 | T-HANDLE LOCK CLOSING SYSTEM | 1.27 | U12054 | U12064 | U12074 |
| UTHL 18 | T-HANDLE LOCK CLOSING SYSTEM | 1.35 | U12055 | U12065 | U12075 |
| UTHL 20 | T-HANDLE LOCK CLOSING SYSTEM | 1.43 | U12056 | U12066 | U12076 |
| UTHL 22 | T-HANDLE LOCK CLOSING SYSTEM | 1.51 | U12057 | U12067 | U12077 |

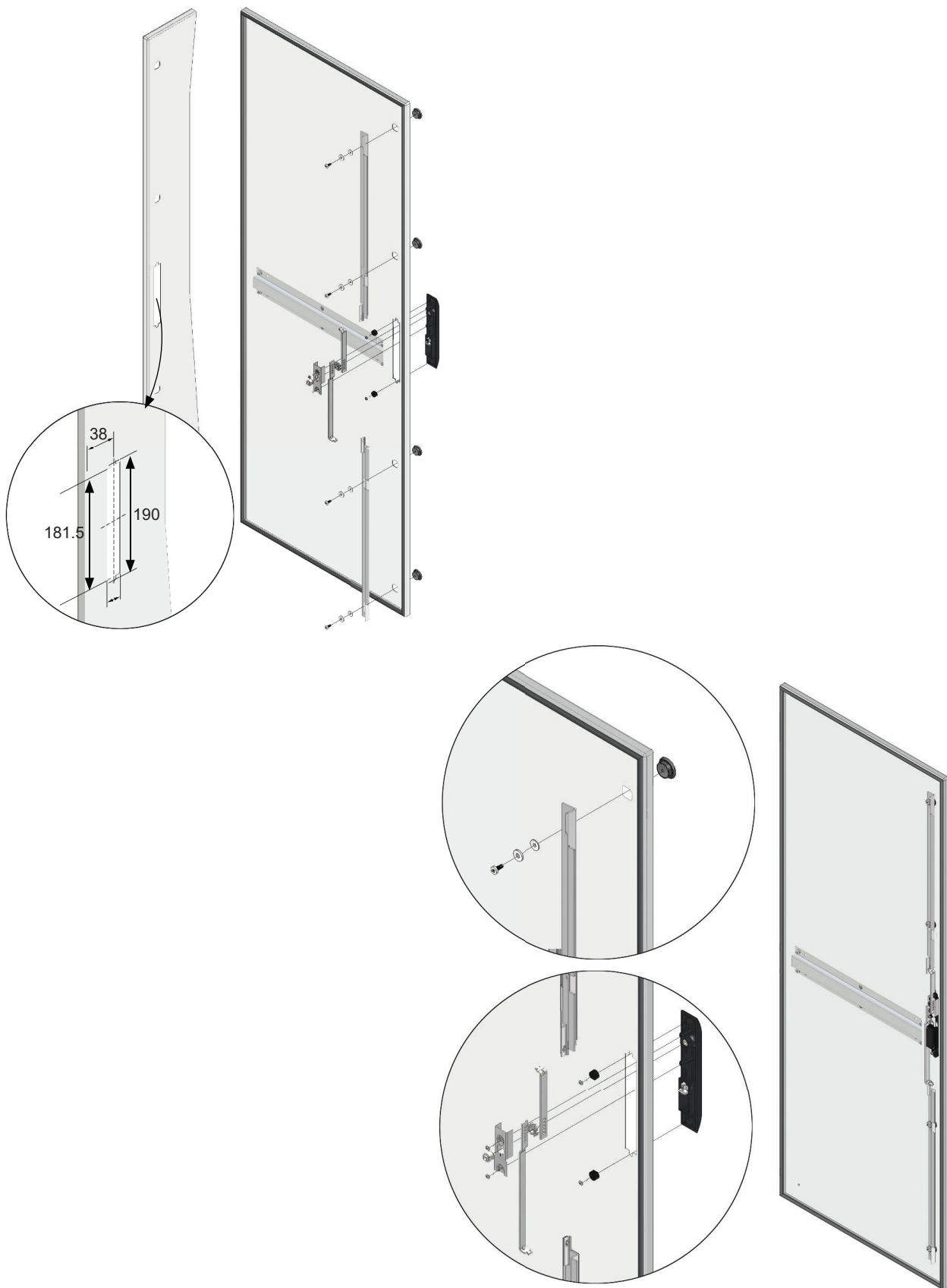


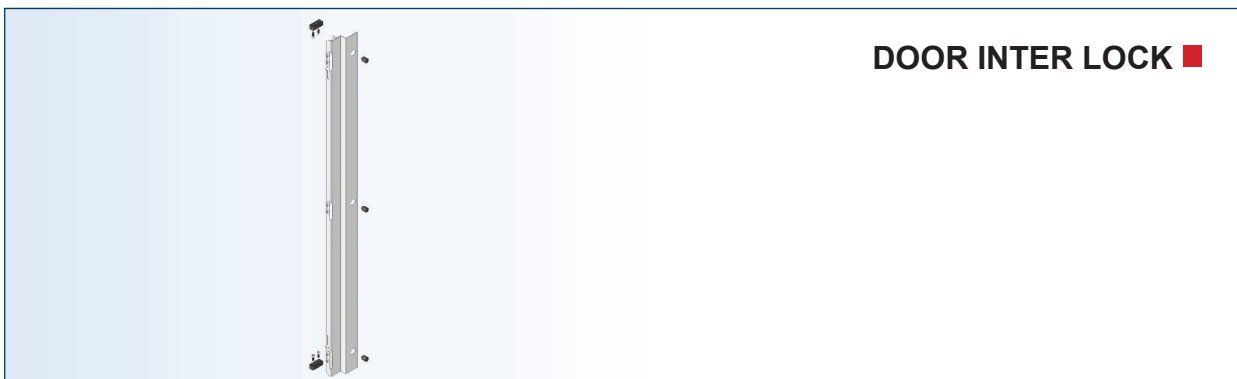
1

TECHNO MODULE

**SWING HANDLE ■
CLOSING SYSTEM**

| CAT. No. | DESCRIPTION | SIZE (H) | WEIGHT (kg) | VERSION 3 ORDER No. |
|----------|-----------------------------|----------|-------------|------------------------|
| USWHN 16 | SWING HANDLE CLOSING SYSTEM | 1600 | 1.41 | U12470 |
| USWHN 18 | SWING HANDLE CLOSING SYSTEM | 1800 | 1.45 | U12471 |
| USWHN 20 | SWING HANDLE CLOSING SYSTEM | 2000 | 1.48 | U12472 |
| USWHN 22 | SWING HANDLE CLOSING SYSTEM | 2200 | 1.52 | U12473 |





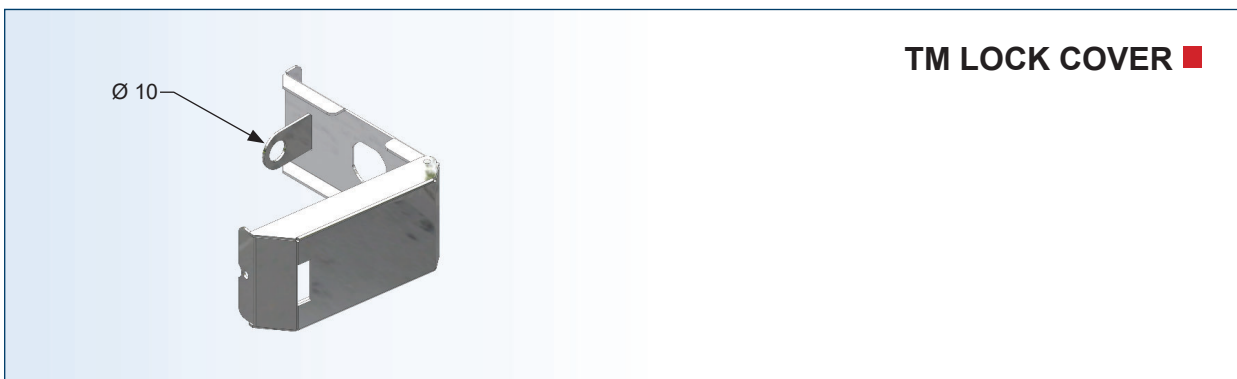
DOOR INTER LOCK ■

| CAT. No. | DESCRIPTION | WEIGHT (kg) | VERSION 3 ORDER No. RAL 7035 FTf. |
|----------|----------------------|-------------|---|
| UDIL 6 | DOOR INTER LOCK 600 | 1.10 | U15047 |
| UDIL 8 | DOOR INTER LOCK 800 | 1.52 | U15057 |
| UDIL 10 | DOOR INTER LOCK 1000 | 1.94 | U15067 |
| UDIL 12 | DOOR INTER LOCK 1200 | 2.29 | U15077 |
| UDIL 14 | DOOR INTER LOCK 1400 | 2.67 | U15087 |
| UDIL 16 | DOOR INTER LOCK 1600 | 3.05 | U15097 |
| UDIL 18 | DOOR INTER LOCK 1800 | 3.44 | U15107 |
| UDIL 20 | DOOR INTER LOCK 2000 | 3.82 | U15117 |
| UDIL 22 | DOOR INTER LOCK 2200 | 4.15 | U15127 |



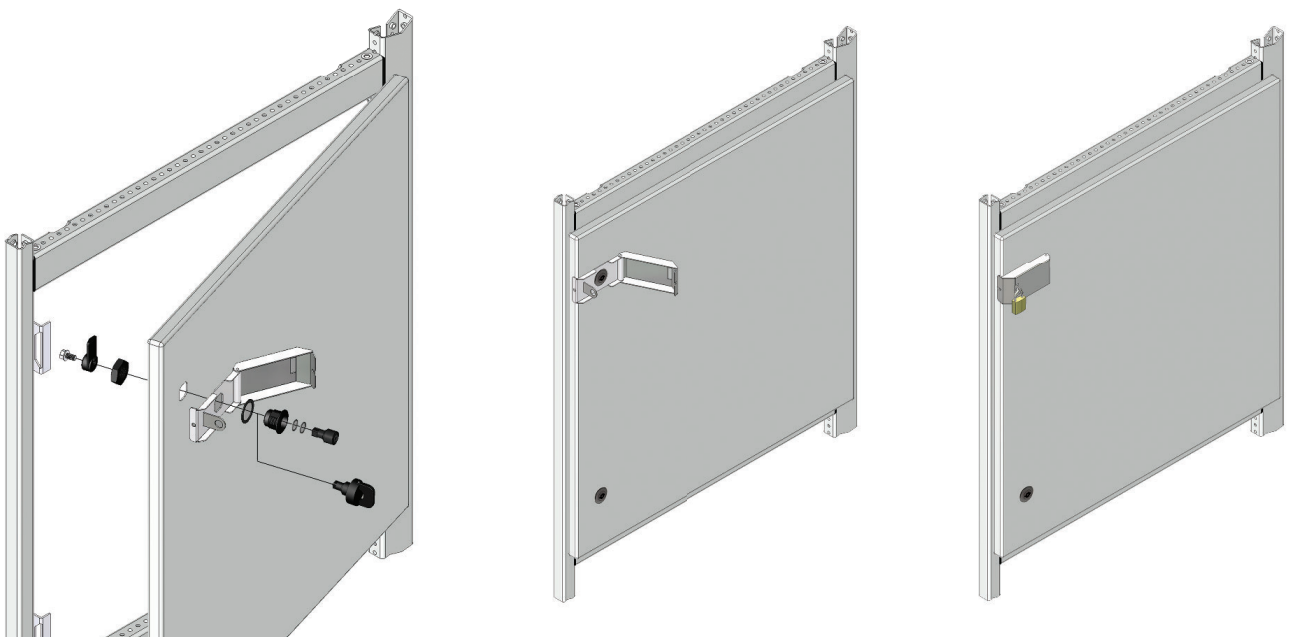
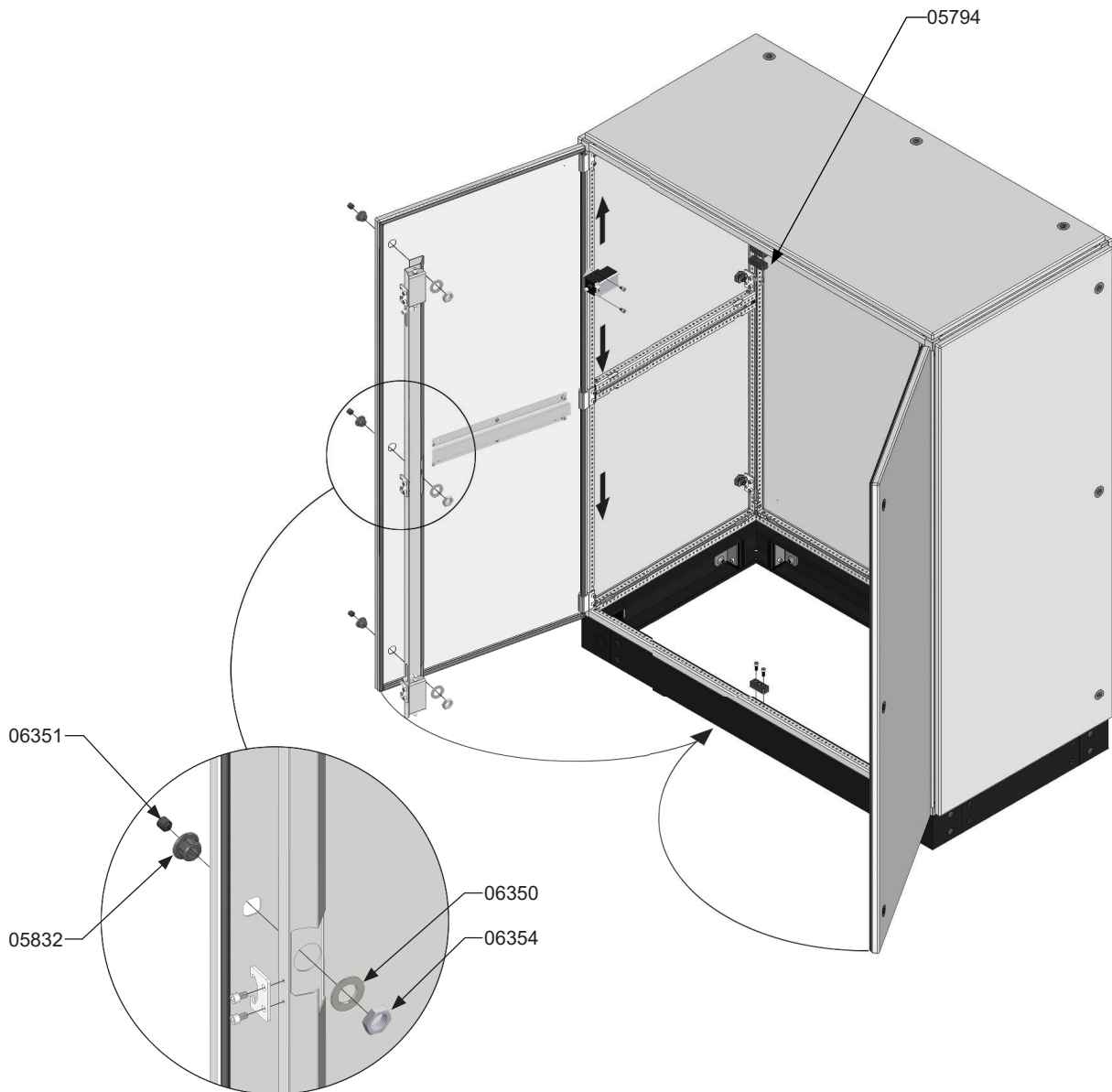
SWITCH FOR DOOR ■

| CAT. No. | DESCRIPTION | WEIGHT (kg) | ORDER No. |
|----------|---------------------------|-------------|-----------|
| USSFD | SWITCH FOR DOOR (1NO+1NC) | 0.83 | U17100 |



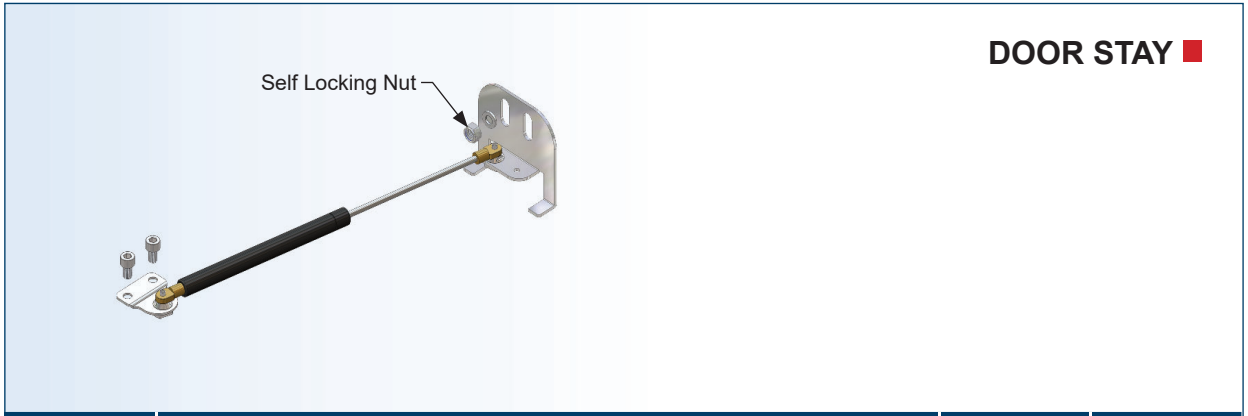
TM LOCK COVER ■

| CAT. No. | DESCRIPTION | WEIGHT (kg) | ORDER No. SS 1.2mm AISI 304 |
|----------|---------------|-------------|-----------------------------------|
| UTMCOV | TM LOCK COVER | 0.15 | U11104 |



1

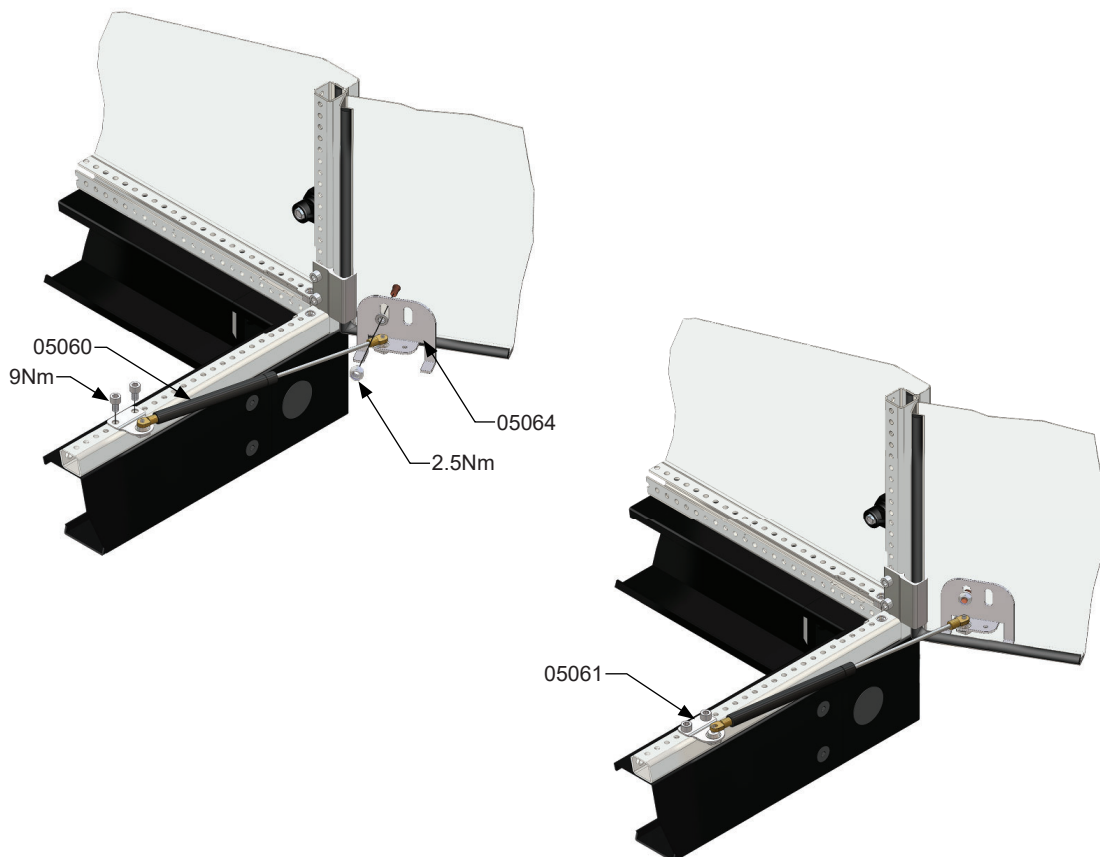
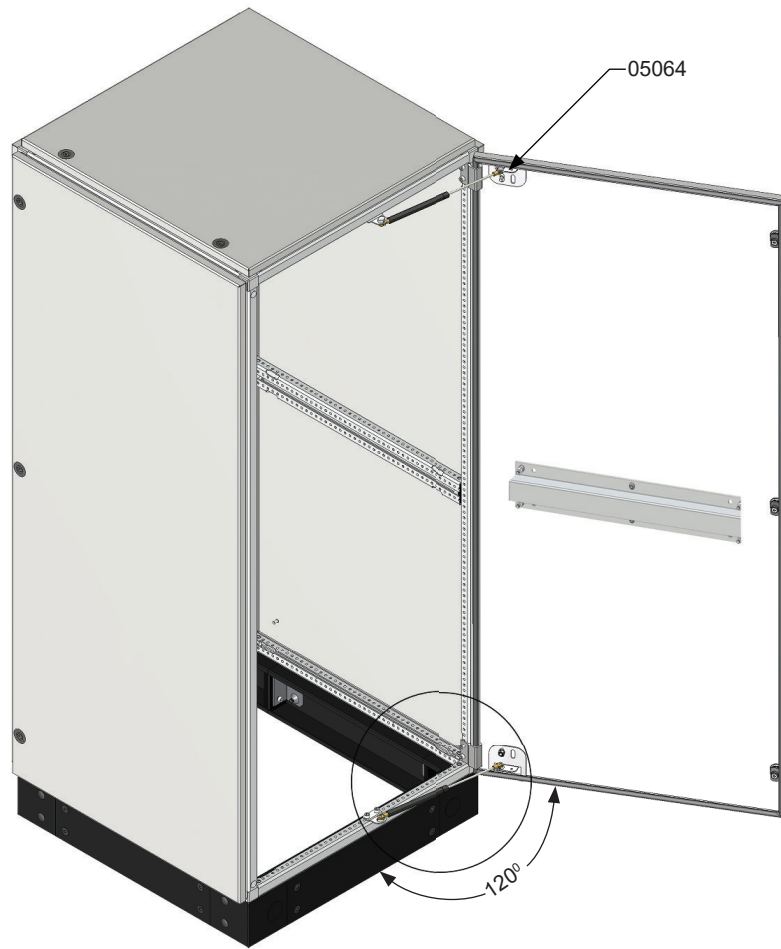
TECHNO MODULE

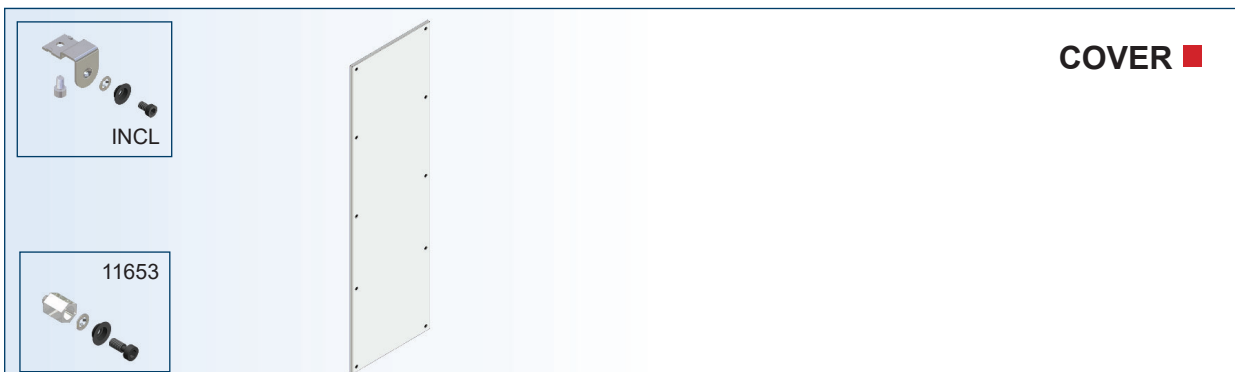


DOOR STAY ■

| CAT. No. | DESCRIPTION | WEIGHT (kg) | ORDER No. |
|----------|-------------|-------------|-----------|
| UDOST | DOOR STAY | 0.17 | U15151 |

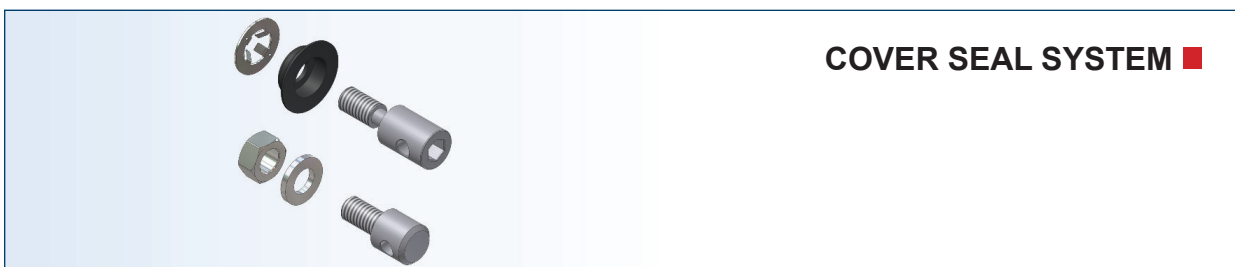
For doors higher than 600mm, use 2 door stays,





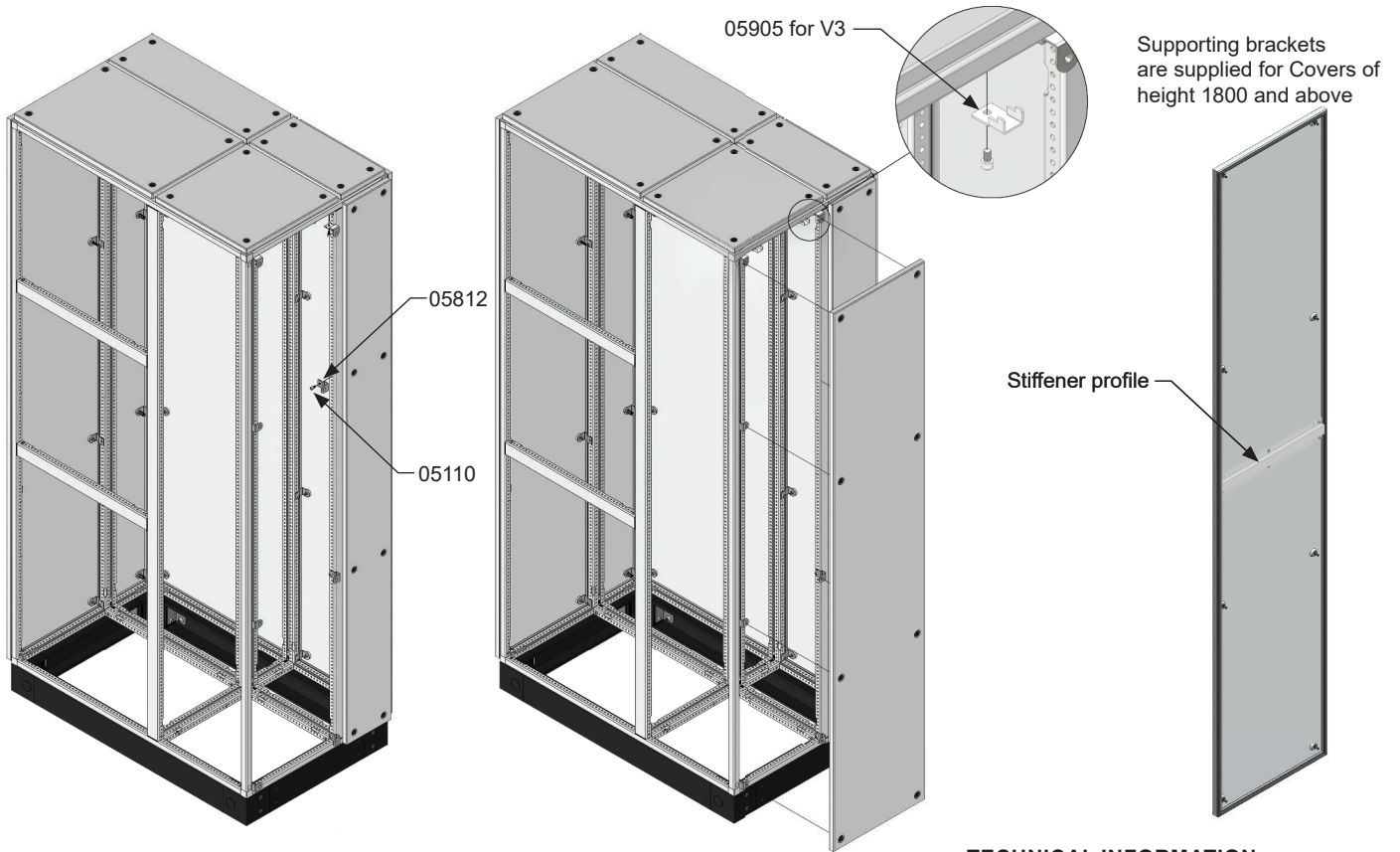
COVER ■

| CAT. No. | DESCRIPTION | SIZE (W×H) | WEIGHT (kg) | VERSION 3 ORDER No. RAL 7035 FTF. |
|-----------|-------------|------------|-------------|-----------------------------------|
| UCOV 2.2 | COVER | 200 × 200 | 0.85 | U11137 |
| UCOV 2.4 | COVER | 200 × 400 | 1.45 | U11147 |
| UCOV 2.6 | COVER | 200 × 600 | 2.10 | U11157 |
| UCOV 2.8 | COVER | 200 × 800 | 2.77 | U11167 |
| UCOV 2.10 | COVER | 200 × 1000 | 3.29 | U11177 |
| UCOV 2.12 | COVER | 200 × 1200 | 3.95 | U11187 |
| UCOV 2.14 | COVER | 200 × 1400 | 4.64 | U11197 |
| UCOV 2.16 | COVER | 200 × 1600 | 5.26 | U11207 |
| UCOV 2.18 | COVER | 200 × 1800 | 5.79 | U11217 |
| UCOV 2.20 | COVER | 200 × 2000 | 6.53 | U11227 |
| UCOV 2.22 | COVER | 200 × 2200 | 8.87 | U11237 |
| UCOV 4.3 | COVER | 400 × 300 | 2.01 | U11257 |
| UCOV 4.4 | COVER | 400 × 400 | 2.41 | U11267 |
| UCOV 4.6 | COVER | 400 × 600 | 3.74 | U11277 |
| UCOV 4.8 | COVER | 400 × 800 | 4.91 | U11287 |
| UCOV 4.10 | COVER | 400 × 1000 | 6.01 | U11297 |
| UCOV 4.12 | COVER | 400 × 1200 | 6.80 | U11307 |
| UCOV 4.14 | COVER | 400 × 1400 | 7.84 | U11317 |
| UCOV 4.16 | COVER | 400 × 1600 | 9.21 | U11327 |
| UCOV 4.18 | COVER | 400 × 1800 | 10.21 | U11337 |
| UCOV 4.20 | COVER | 400 × 2000 | 11.43 | U11347 |
| UCOV 4.22 | COVER | 400 × 2200 | 12.64 | U11357 |
| UCOV 6.3 | COVER | 600 × 300 | 3.00 | U11377 |
| UCOV 6.6 | COVER | 600 × 600 | 5.28 | U11387 |
| UCOV 6.8 | COVER | 600 × 800 | 6.90 | U11397 |
| UCOV 6.10 | COVER | 600 × 1000 | 8.62 | U11407 |
| UCOV 6.12 | COVER | 600 × 1200 | 10.40 | U11417 |
| UCOV 6.14 | COVER | 600 × 1400 | 11.82 | U11427 |
| UCOV 6.16 | COVER | 600 × 1600 | 13.51 | U11437 |
| UCOV 6.18 | COVER | 600 × 1800 | 15.01 | U11447 |
| UCOV 6.20 | COVER | 600 × 2000 | 16.01 | U11457 |
| UCOV 6.22 | COVER | 600 × 2200 | 18.23 | U11467 |
| UCOV 8.8 | COVER | 800 × 800 | 9.24 | U11487 |
| UCOV 8.10 | COVER | 800 × 1000 | 11.61 | U11497 |
| UCOV 8.12 | COVER | 800 × 1200 | 13.38 | U11507 |
| UCOV 8.14 | COVER | 800 × 1400 | 15.49 | U11517 |
| UCOV 8.16 | COVER | 800 × 1600 | 17.24 | U11527 |
| UCOV 8.18 | COVER | 800 × 1800 | 19.59 | U11537 |
| UCOV 8.20 | COVER | 800 × 2000 | 21.80 | U11547 |
| UCOV 8.22 | COVER | 800 × 2200 | 23.92 | U11557 |

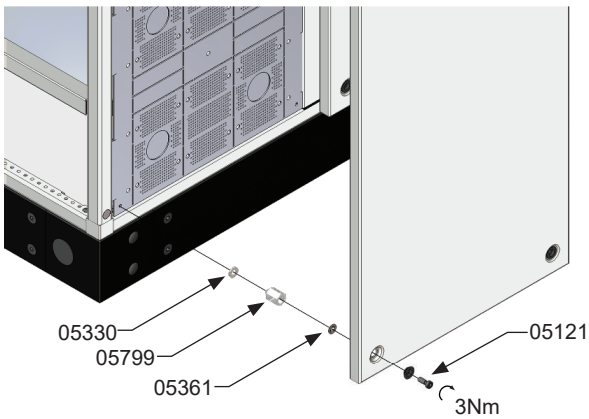


COVER SEAL SYSTEM ■

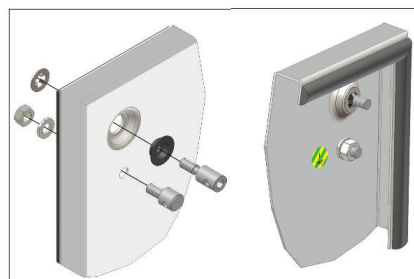
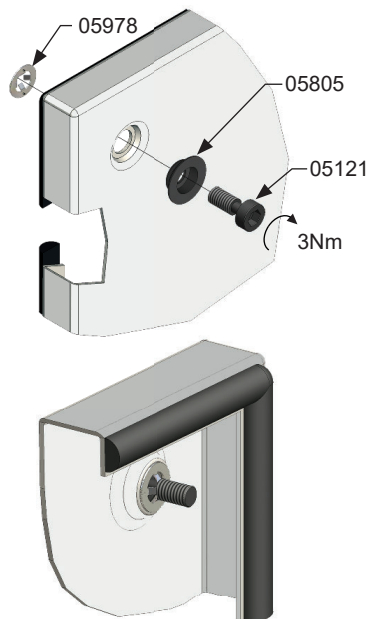
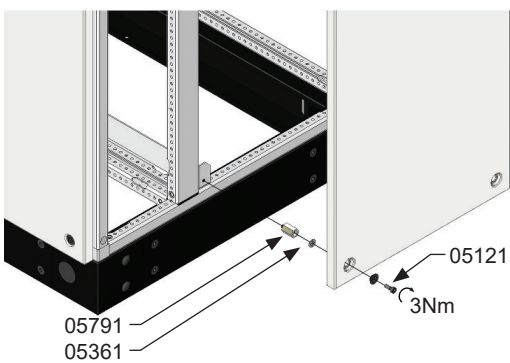
| CAT. No. | DESCRIPTION | WEIGHT (kg) | ORDER No. |
|----------|-------------------|-------------|-----------|
| UCSES | COVER SEAL SYSTEM | 0.02 | U30860 |



When assembling cover on top of vertical separation plate use steel spacer (05799)

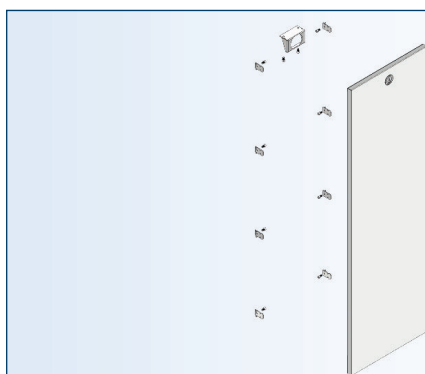


When assembling cover with mounting rail use steel spacer (05791)



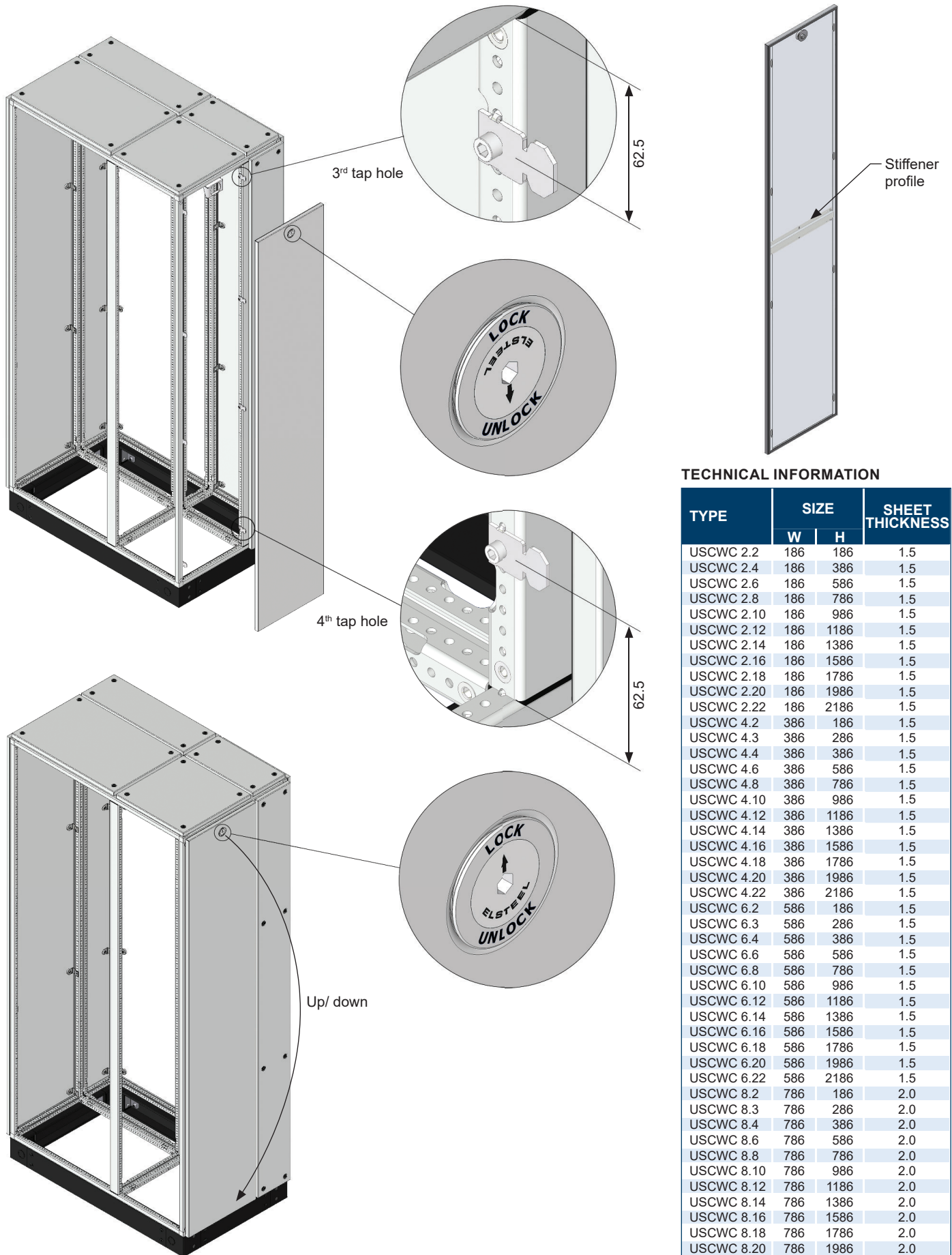
TECHNICAL INFORMATION

| TYPE | SIZE | | SHEET THICKNESS | STIFFENER PROFILE |
|-----------|------|------|-----------------|-------------------|
| | W | H | | |
| UCOV 2.2 | 186 | 186 | 1.5 | No |
| UCOV 2.4 | 186 | 386 | 1.5 | Yes |
| UCOV 2.6 | 186 | 586 | 1.5 | Yes |
| UCOV 2.8 | 186 | 786 | 1.5 | Yes |
| UCOV 2.10 | 186 | 986 | 1.5 | Yes |
| UCOV 2.12 | 186 | 1186 | 1.5 | Yes |
| UCOV 2.14 | 186 | 1386 | 1.5 | Yes |
| UCOV 2.16 | 186 | 1586 | 1.5 | Yes |
| UCOV 2.18 | 186 | 1786 | 1.5 | Yes |
| UCOV 2.20 | 186 | 1986 | 1.5 | Yes |
| UCOV 2.22 | 186 | 2186 | 1.5 | Yes |
| UCOV 4.3 | 386 | 286 | 1.5 | No |
| UCOV 4.4 | 386 | 386 | 1.5 | Yes |
| UCOV 4.6 | 386 | 586 | 1.5 | Yes |
| UCOV 4.8 | 386 | 786 | 1.5 | Yes |
| UCOV 4.10 | 386 | 986 | 1.5 | Yes |
| UCOV 4.12 | 386 | 1186 | 1.5 | Yes |
| UCOV 4.14 | 386 | 1386 | 1.5 | Yes |
| UCOV 4.16 | 386 | 1586 | 1.5 | Yes |
| UCOV 4.18 | 386 | 1786 | 1.5 | Yes |
| UCOV 4.20 | 386 | 1986 | 1.5 | Yes |
| UCOV 4.22 | 386 | 2186 | 1.5 | Yes |
| UCOV 6.3 | 586 | 286 | 1.5 | No |
| UCOV 6.6 | 586 | 586 | 1.5 | Yes |
| UCOV 6.8 | 586 | 786 | 1.5 | Yes |
| UCOV 6.10 | 586 | 986 | 1.5 | Yes |
| UCOV 6.12 | 586 | 1186 | 1.5 | Yes |
| UCOV 6.14 | 586 | 1386 | 1.5 | Yes |
| UCOV 6.16 | 586 | 1586 | 1.5 | Yes |
| UCOV 6.18 | 586 | 1786 | 1.5 | Yes |
| UCOV 6.20 | 586 | 1986 | 1.5 | Yes |
| UCOV 6.22 | 586 | 2186 | 1.5 | Yes |
| UCOV 8.8 | 786 | 786 | 2.0 | Yes |
| UCOV 8.10 | 786 | 986 | 2.0 | Yes |
| UCOV 8.12 | 786 | 1186 | 2.0 | Yes |
| UCOV 8.14 | 786 | 1386 | 2.0 | Yes |
| UCOV 8.16 | 786 | 1586 | 2.0 | Yes |
| UCOV 8.18 | 786 | 1786 | 2.0 | Yes |
| UCOV 8.20 | 786 | 1986 | 2.0 | Yes |
| UCOV 8.22 | 786 | 2186 | 2.0 | Yes |



SCREWLESS COVER ■

| CAT. No. | DESCRIPTION | SIZE (W×H) | WEIGHT (kg) | ORDER No. RAL 7035 FTF. |
|------------|-----------------|------------|-------------|----------------------------|
| USCWC 2.2 | SCREWLESS COVER | 200 × 200 | 1.17 | U35507 |
| USCWC 2.4 | SCREWLESS COVER | 200 × 400 | 1.77 | U35517 |
| USCWC 2.6 | SCREWLESS COVER | 200 × 600 | 2.42 | U35527 |
| USCWC 2.8 | SCREWLESS COVER | 200 × 800 | 3.09 | U35537 |
| USCWC 2.10 | SCREWLESS COVER | 200 × 1000 | 3.61 | U35547 |
| USCWC 2.12 | SCREWLESS COVER | 200 × 1200 | 4.27 | U35557 |
| USCWC 2.14 | SCREWLESS COVER | 200 × 1400 | 4.96 | U35567 |
| USCWC 2.16 | SCREWLESS COVER | 200 × 1600 | 5.58 | U35577 |
| USCWC 2.18 | SCREWLESS COVER | 200 × 1800 | 6.17 | U35587 |
| USCWC 2.20 | SCREWLESS COVER | 200 × 2000 | 6.85 | U35597 |
| USCWC 2.22 | SCREWLESS COVER | 200 × 2200 | 9.27 | U35607 |
| USCWC 4.2 | SCREWLESS COVER | 400 × 200 | 1.77 | U35617 |
| USCWC 4.3 | SCREWLESS COVER | 400 × 300 | 2.33 | U35627 |
| USCWC 4.4 | SCREWLESS COVER | 400 × 400 | 2.97 | U35637 |
| USCWC 4.6 | SCREWLESS COVER | 400 × 600 | 4.06 | U35647 |
| USCWC 4.8 | SCREWLESS COVER | 400 × 800 | 5.21 | U35657 |
| USCWC 4.10 | SCREWLESS COVER | 400 × 1000 | 6.38 | U35667 |
| USCWC 4.12 | SCREWLESS COVER | 400 × 1200 | 7.14 | U35677 |
| USCWC 4.14 | SCREWLESS COVER | 400 × 1400 | 8.26 | U35687 |
| USCWC 4.16 | SCREWLESS COVER | 400 × 1600 | 9.65 | U35697 |
| USCWC 4.18 | SCREWLESS COVER | 400 × 1800 | 10.61 | U35707 |
| USCWC 4.20 | SCREWLESS COVER | 400 × 2000 | 11.81 | U35717 |
| USCWC 4.22 | SCREWLESS COVER | 400 × 2200 | 12.97 | U35727 |
| USCWC 6.2 | SCREWLESS COVER | 600 × 200 | 2.42 | U35737 |
| USCWC 6.3 | SCREWLESS COVER | 600 × 300 | 3.32 | U35747 |
| USCWC 6.4 | SCREWLESS COVER | 600 × 400 | 4.06 | U35757 |
| USCWC 6.6 | SCREWLESS COVER | 600 × 600 | 5.68 | U35767 |
| USCWC 6.8 | SCREWLESS COVER | 600 × 800 | 7.22 | U35777 |
| USCWC 6.10 | SCREWLESS COVER | 600 × 1000 | 8.94 | U35787 |
| USCWC 6.12 | SCREWLESS COVER | 600 × 1200 | 10.72 | U35797 |
| USCWC 6.14 | SCREWLESS COVER | 600 × 1400 | 12.14 | U35807 |
| USCWC 6.16 | SCREWLESS COVER | 600 × 1600 | 13.83 | U35817 |
| USCWC 6.18 | SCREWLESS COVER | 600 × 1800 | 15.40 | U35827 |
| USCWC 6.20 | SCREWLESS COVER | 600 × 2000 | 16.94 | U35837 |
| USCWC 6.22 | SCREWLESS COVER | 600 × 2200 | 18.55 | U35847 |
| USCWC 8.2 | SCREWLESS COVER | 800 × 200 | 3.09 | U35857 |
| USCWC 8.3 | SCREWLESS COVER | 800 × 300 | 4.63 | U35867 |
| USCWC 8.4 | SCREWLESS COVER | 800 × 400 | 5.21 | U35877 |
| USCWC 8.6 | SCREWLESS COVER | 800 × 600 | 7.22 | U35887 |
| USCWC 8.8 | SCREWLESS COVER | 800 × 800 | 9.56 | U35897 |
| USCWC 8.10 | SCREWLESS COVER | 800 × 1000 | 12.00 | U35907 |
| USCWC 8.12 | SCREWLESS COVER | 800 × 1200 | 13.07 | U35917 |
| USCWC 8.14 | SCREWLESS COVER | 800 × 1400 | 15.81 | U35927 |
| USCWC 8.16 | SCREWLESS COVER | 800 × 1600 | 17.56 | U35937 |
| USCWC 8.18 | SCREWLESS COVER | 800 × 1800 | 19.91 | U35947 |
| USCWC 8.20 | SCREWLESS COVER | 800 × 2000 | 22.12 | U35957 |
| USCWC 8.22 | SCREWLESS COVER | 800 × 2200 | 24.24 | U35967 |

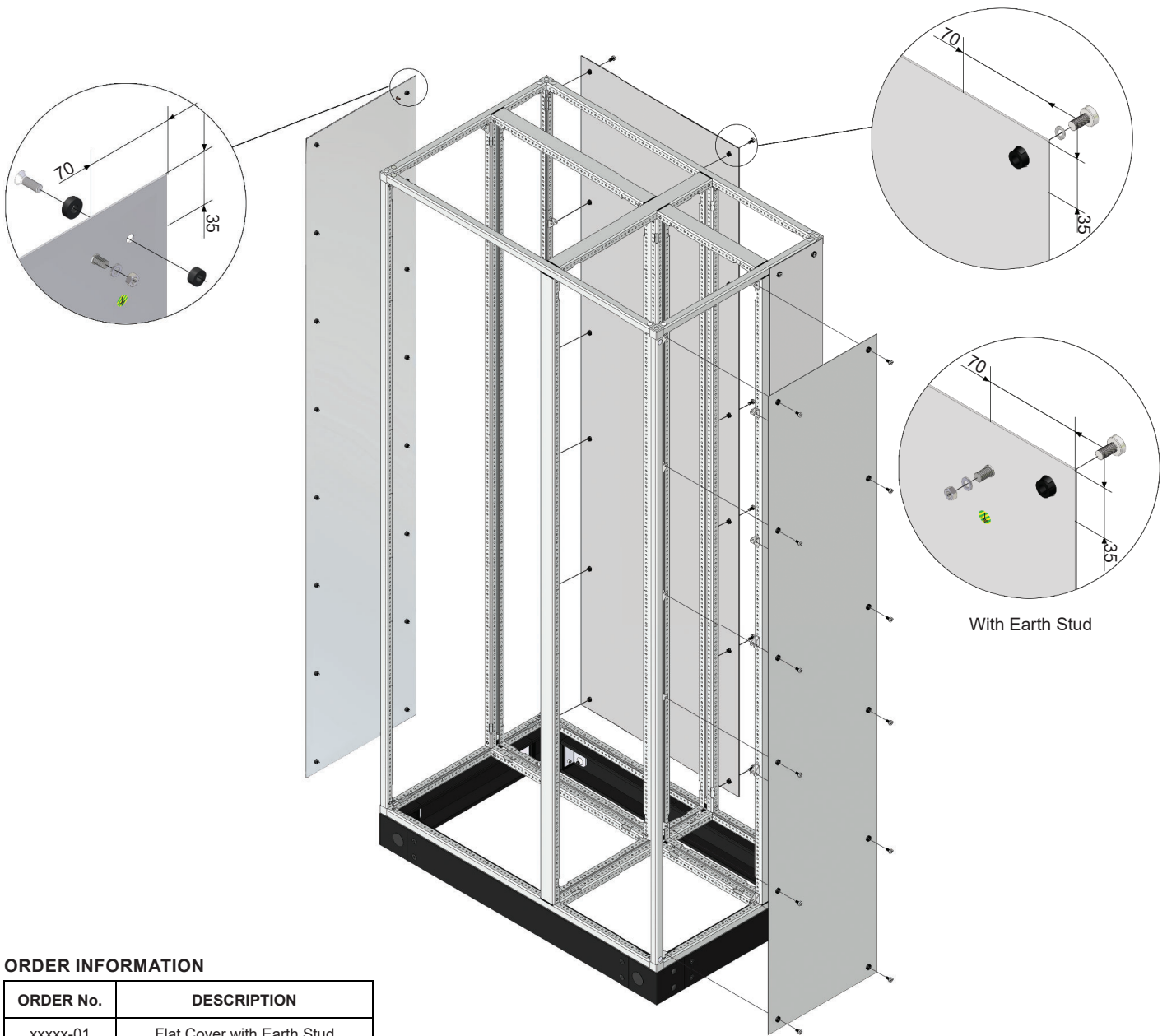


TECHNICAL INFORMATION

| TYPE | SIZE | | SHEET THICKNESS |
|------------|------|------|-----------------|
| | W | H | |
| USCWC 2.2 | 186 | 186 | 1.5 |
| USCWC 2.4 | 186 | 386 | 1.5 |
| USCWC 2.6 | 186 | 586 | 1.5 |
| USCWC 2.8 | 186 | 786 | 1.5 |
| USCWC 2.10 | 186 | 986 | 1.5 |
| USCWC 2.12 | 186 | 1186 | 1.5 |
| USCWC 2.14 | 186 | 1386 | 1.5 |
| USCWC 2.16 | 186 | 1586 | 1.5 |
| USCWC 2.18 | 186 | 1786 | 1.5 |
| USCWC 2.20 | 186 | 1986 | 1.5 |
| USCWC 2.22 | 186 | 2186 | 1.5 |
| USCWC 4.2 | 386 | 186 | 1.5 |
| USCWC 4.3 | 386 | 286 | 1.5 |
| USCWC 4.4 | 386 | 386 | 1.5 |
| USCWC 4.6 | 386 | 586 | 1.5 |
| USCWC 4.8 | 386 | 786 | 1.5 |
| USCWC 4.10 | 386 | 986 | 1.5 |
| USCWC 4.12 | 386 | 1186 | 1.5 |
| USCWC 4.14 | 386 | 1386 | 1.5 |
| USCWC 4.16 | 386 | 1586 | 1.5 |
| USCWC 4.18 | 386 | 1786 | 1.5 |
| USCWC 4.20 | 386 | 1986 | 1.5 |
| USCWC 4.22 | 386 | 2186 | 1.5 |
| USCWC 6.2 | 586 | 186 | 1.5 |
| USCWC 6.3 | 586 | 286 | 1.5 |
| USCWC 6.4 | 586 | 386 | 1.5 |
| USCWC 6.6 | 586 | 586 | 1.5 |
| USCWC 6.8 | 586 | 786 | 1.5 |
| USCWC 6.10 | 586 | 986 | 1.5 |
| USCWC 6.12 | 586 | 1186 | 1.5 |
| USCWC 6.14 | 586 | 1386 | 1.5 |
| USCWC 6.16 | 586 | 1586 | 1.5 |
| USCWC 6.18 | 586 | 1786 | 1.5 |
| USCWC 6.20 | 586 | 1986 | 1.5 |
| USCWC 6.22 | 586 | 2186 | 1.5 |
| USCWC 8.2 | 786 | 186 | 2.0 |
| USCWC 8.3 | 786 | 286 | 2.0 |
| USCWC 8.4 | 786 | 386 | 2.0 |
| USCWC 8.6 | 786 | 586 | 2.0 |
| USCWC 8.8 | 786 | 786 | 2.0 |
| USCWC 8.10 | 786 | 986 | 2.0 |
| USCWC 8.12 | 786 | 1186 | 2.0 |
| USCWC 8.14 | 786 | 1386 | 2.0 |
| USCWC 8.16 | 786 | 1586 | 2.0 |
| USCWC 8.18 | 786 | 1786 | 2.0 |
| USCWC 8.20 | 786 | 1986 | 2.0 |
| USCWC 8.22 | 786 | 2186 | 2.0 |

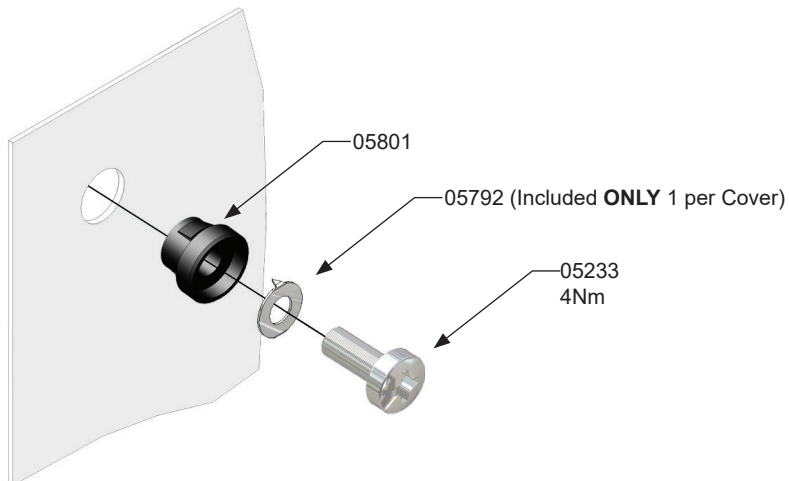



| CAT. No. | DESCRIPTION | SIZE (W×H) | WEIGHT (kg) | ORDER No. WITHOUT GASKET RAL 7035 FTf. |
|----------|-------------|------------|-------------|--|
| UFC 2.2 | FLAT COVER | 200 × 200 | 0.43 | U13744 |
| UFC 2.4 | FLAT COVER | 200 × 400 | 0.88 | U13754 |
| UFC 2.6 | FLAT COVER | 200 × 600 | 1.34 | U13764 |
| UFC 2.8 | FLAT COVER | 200 × 800 | 1.76 | U13774 |
| UFC 2.10 | FLAT COVER | 200 × 1000 | 2.20 | U13784 |
| UFC 2.12 | FLAT COVER | 200 × 1200 | 2.64 | U13794 |
| UFC 2.14 | FLAT COVER | 200 × 1400 | 3.18 | U13804 |
| UFC 2.16 | FLAT COVER | 200 × 1600 | 3.68 | U13814 |
| UFC 2.18 | FLAT COVER | 200 × 1800 | 4.02 | U13824 |
| UFC 2.20 | FLAT COVER | 200 × 2000 | 4.45 | U13834 |
| UFC 2.22 | FLAT COVER | 200 × 2200 | 5.30 | U13844 |
| UFC 4.4 | FLAT COVER | 400 × 400 | 1.76 | U13864 |
| UFC 4.6 | FLAT COVER | 400 × 600 | 2.65 | U13874 |
| UFC 4.8 | FLAT COVER | 400 × 800 | 3.52 | U13884 |
| UFC 4.10 | FLAT COVER | 400 × 1000 | 4.40 | U13894 |
| UFC 4.12 | FLAT COVER | 400 × 1200 | 5.28 | U13904 |
| UFC 4.14 | FLAT COVER | 400 × 1400 | 6.16 | U13914 |
| UFC 4.16 | FLAT COVER | 400 × 1600 | 7.24 | U13924 |
| UFC 4.18 | FLAT COVER | 400 × 1800 | 7.98 | U13934 |
| UFC 4.20 | FLAT COVER | 400 × 2000 | 9.03 | U13944 |
| UFC 4.22 | FLAT COVER | 400 × 2200 | 9.98 | U13954 |
| UFC 6.6 | FLAT COVER | 600 × 600 | 4.20 | U13974 |
| UFC 6.8 | FLAT COVER | 600 × 800 | 5.70 | U13984 |
| UFC 6.10 | FLAT COVER | 600 × 1000 | 6.90 | U13994 |
| UFC 6.12 | FLAT COVER | 600 × 1200 | 8.25 | U14004 |
| UFC 6.14 | FLAT COVER | 600 × 1400 | 9.71 | U14014 |
| UFC 6.16 | FLAT COVER | 600 × 1600 | 11.25 | U14024 |
| UFC 6.18 | FLAT COVER | 600 × 1800 | 12.51 | U14034 |
| UFC 6.20 | FLAT COVER | 600 × 2000 | 14.10 | U14044 |
| UFC 6.22 | FLAT COVER | 600 × 2200 | 15.56 | U14054 |
| UFC 8.8 | FLAT COVER | 800 × 800 | 7.31 | U14074 |
| UFC 8.10 | FLAT COVER | 800 × 1000 | 9.28 | U14084 |
| UFC 8.12 | FLAT COVER | 800 × 1200 | 11.13 | U14094 |
| UFC 8.14 | FLAT COVER | 800 × 1400 | 13.21 | U14104 |
| UFC 8.16 | FLAT COVER | 800 × 1600 | 14.83 | U14114 |
| UFC 8.18 | FLAT COVER | 800 × 1800 | 15.27 | U14124 |
| UFC 8.20 | FLAT COVER | 800 × 2000 | 15.71 | U14134 |
| UFC 8.22 | FLAT COVER | 800 × 2200 | 22.05 | U14144 |




ORDER INFORMATION

| ORDER No. | DESCRIPTION |
|-----------|----------------------------|
| xxxxx-01 | Flat Cover with Earth Stud |







LOUVRE COVERS ■


| CAT. No. | DESCRIPTION | SIZE (W×H) | WEIGHT (kg) | VERSION 3 ORDER No. RAL 7035 FTf. |
|-----------|--------------|------------|-------------|-----------------------------------|
| UILC 2.2 | LOUVRE COVER | 200 × 200 | 0.86 | U14927 |
| UILC 4.2 | LOUVRE COVER | 400 × 200 | 1.79 | U14937 |
| UILC 6.2 | LOUVRE COVER | 600 × 200 | 2.52 | U14947 |
| UILC 8.2 | LOUVRE COVER | 800 × 200 | 3.58 | U14957 |
| UILC 10.2 | LOUVRE COVER | 1000 × 200 | 4.33 | U14967 |

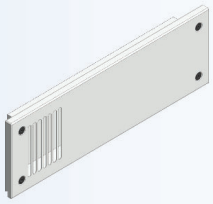




LOUVRE COVERS ■

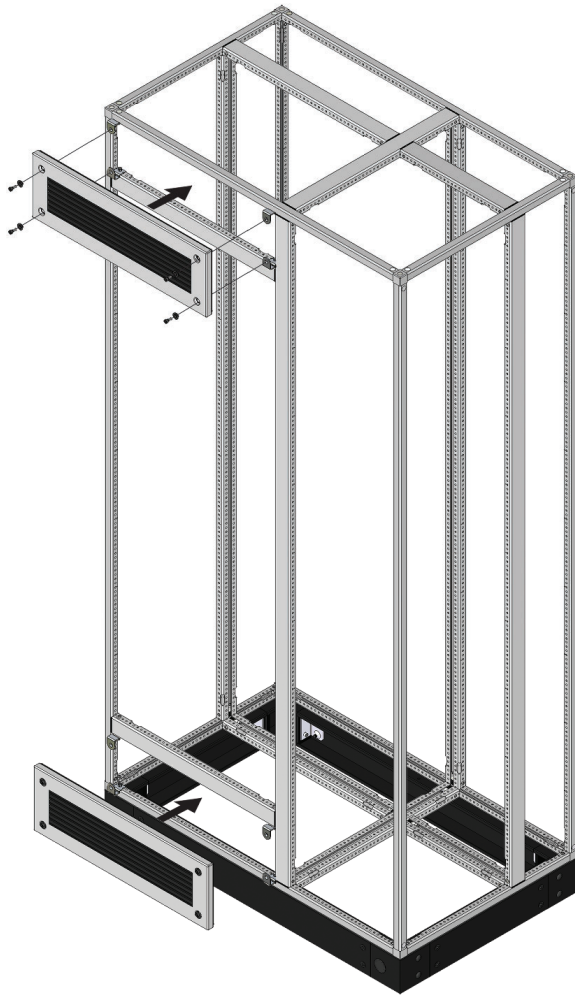
| CAT. No. | DESCRIPTION | SIZE (W×H) | WEIGHT (kg) | VERSION 3 ORDER No. RAL 7035 FTf. |
|----------|--------------|------------|-------------|-----------------------------------|
| UILC 4.4 | LOUVRE COVER | 400 × 400 | 3.60 | U14977 |
| UILC 6.4 | LOUVRE COVER | 600 × 400 | 5.00 | U14987 |
| UILC 8.4 | LOUVRE COVER | 800 × 400 | 7.16 | U14997 |
| UILC10.4 | LOUVRE COVER | 1000 × 400 | 8.98 | U15007 |

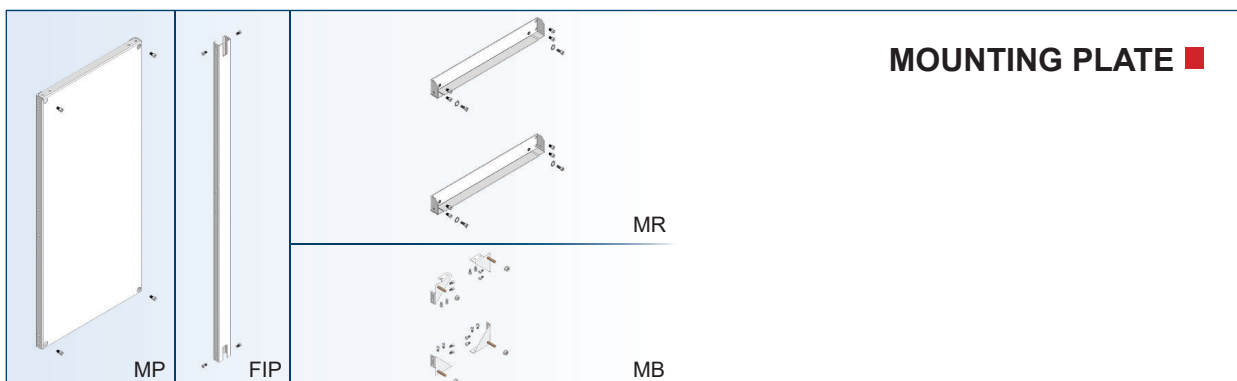




LOUVRE COVERS ■

| CAT. No. | DESCRIPTION | SIZE (W×H) | WEIGHT (kg) | VERSION 3 ORDER No. RAL 7035 FTf. |
|----------|-------------------|------------|-------------|-----------------------------------|
| ULCO 4.2 | LOUVRE COVER IP44 | 400 × 200 | 2.17 | U17707 |
| ULCO 6.2 | LOUVRE COVER IP44 | 600 × 200 | 3.49 | U17717 |
| ULCO 8.2 | LOUVRE COVER IP44 | 800 × 200 | 4.34 | U17727 |





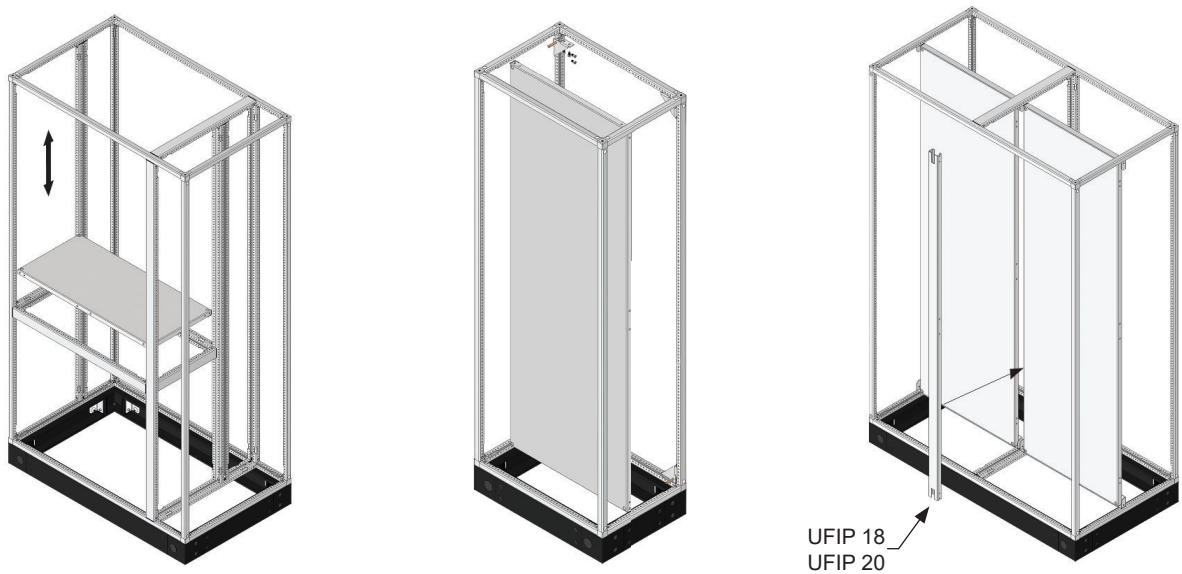
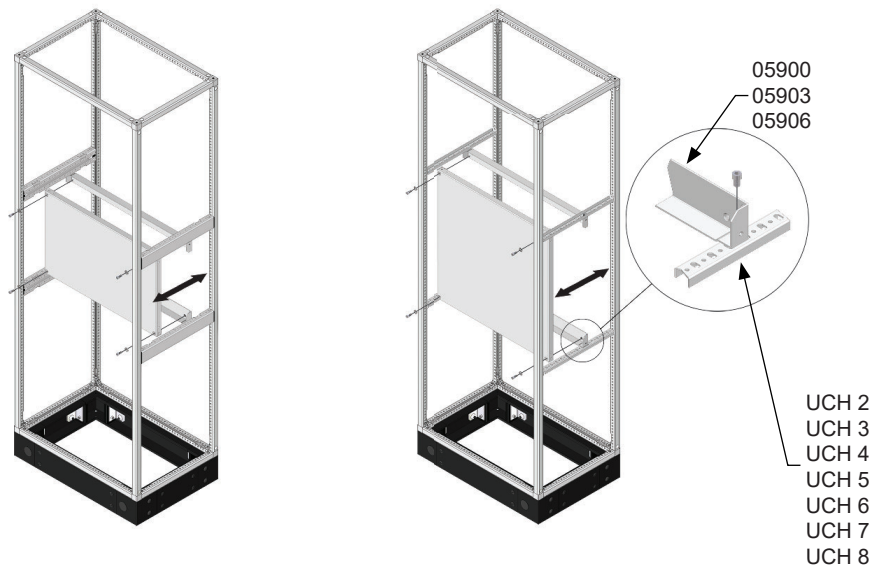
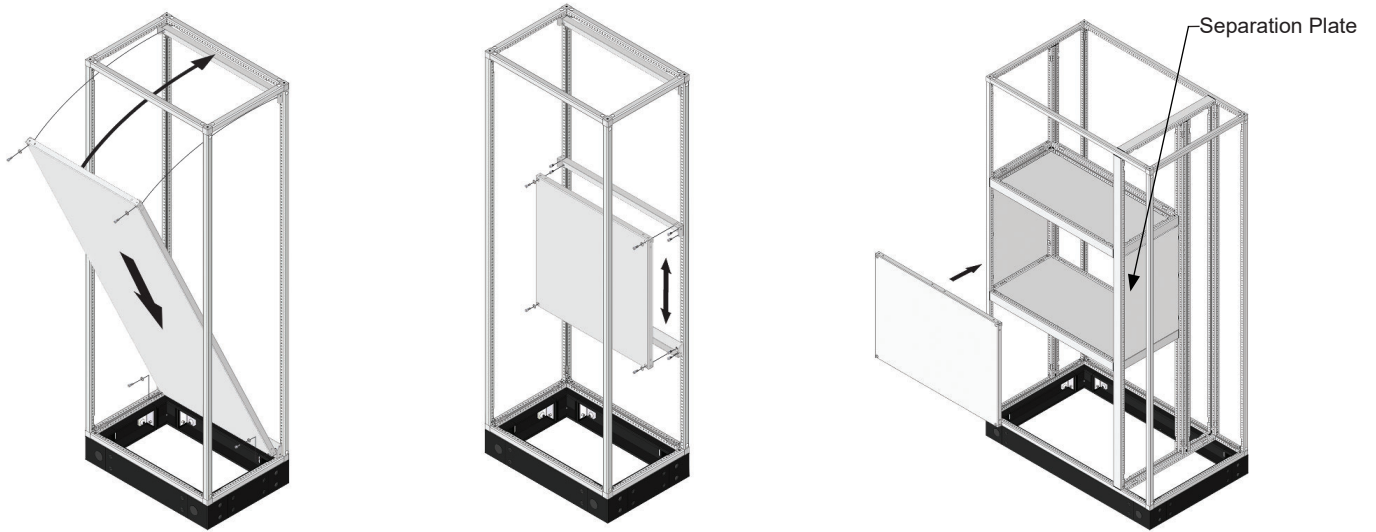
MOUNTING PLATE ■

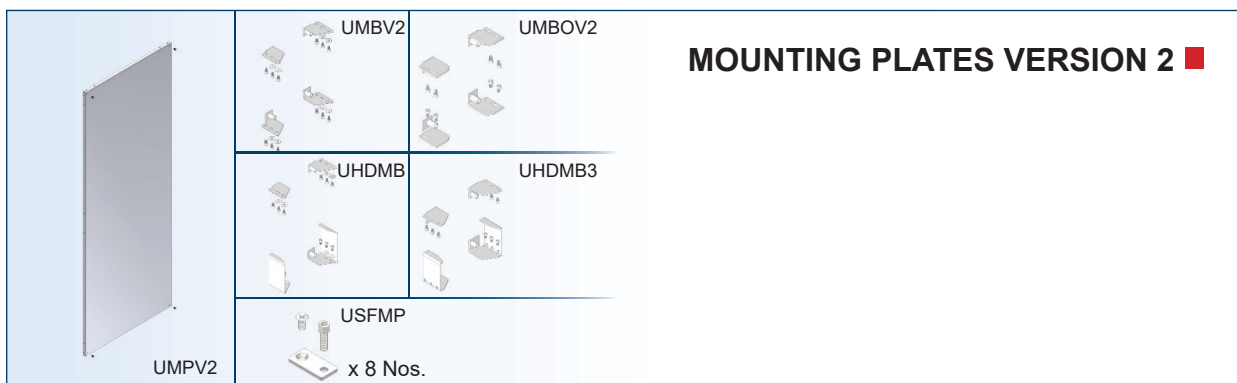
| CAT. No. | DESCRIPTION | NOMINAL SIZE (W×H) | ACTUAL SIZE (W×H) | WEIGHT (kg) | ORDER No. Alu-zinc | ORDER No. RAL 9010 SMF. |
|----------|----------------|--------------------|-------------------|-------------|-----------------------|----------------------------|
| UMP 4.2 | MOUNTING PLATE | 400 × 200 | 348 × 148 | 1.18 | U12572 | U12570 |
| UMP 4.3 | MOUNTING PLATE | 400 × 300 | 348 × 248 | 1.87 | U12577 | U12575 |
| UMP 4.4 | MOUNTING PLATE | 400 × 400 | 348 × 348 | 2.56 | U12582 | U12580 |
| UMP 4.6 | MOUNTING PLATE | 400 × 600 | 348 × 548 | 3.57 | U12595 | U12590 |
| UMP 4.8 | MOUNTING PLATE | 400 × 800 | 348 × 748 | 5.36 | U12605 | U12600 |
| UMP 4.10 | MOUNTING PLATE | 400 × 1000 | 348 × 948 | 6.61 | U12615 | U12610 |
| UMP 4.12 | MOUNTING PLATE | 400 × 1200 | 348 × 1148 | 7.96 | U12625 | U12620 |
| UMP 4.14 | MOUNTING PLATE | 400 × 1400 | 348 × 1348 | 9.41 | U12635 | U12630 |
| UMP 4.16 | MOUNTING PLATE | 400 × 1600 | 348 × 1548 | 10.90 | U12645 | U12640 |
| UMP 4.18 | MOUNTING PLATE | 400 × 1800 | 348 × 1748 | 12.20 | U12655 | U12650 |
| UMP 4.20 | MOUNTING PLATE | 400 × 2000 | 348 × 1948 | 13.49 | U12662 | U12660 |
| UMP 6.6 | MOUNTING PLATE | 600 × 600 | 548 × 548 | 5.82 | U12705 | U12700 |
| UMP 6.8 | MOUNTING PLATE | 600 × 800 | 548 × 748 | 7.84 | U12715 | U12710 |
| UMP 6.10 | MOUNTING PLATE | 600 × 1000 | 548 × 948 | 9.73 | U12725 | U12720 |
| UMP 6.12 | MOUNTING PLATE | 600 × 1200 | 548 × 1148 | 11.74 | U12735 | U12730 |
| UMP 6.14 | MOUNTING PLATE | 600 × 1400 | 548 × 1348 | 13.81 | U12745 | U12740 |
| UMP 6.16 | MOUNTING PLATE | 600 × 1600 | 548 × 1548 | 15.88 | U12755 | U12750 |
| UMP 6.18 | MOUNTING PLATE | 600 × 1800 | 548 × 1748 | 18.09 | U12765 | U12760 |
| UMP 6.20 | MOUNTING PLATE | 600 × 2000 | 548 × 1948 | 19.85 | U12772 | U12770 |
| UMP 8.8 | MOUNTING PLATE | 800 × 800 | 748 × 748 | 10.49 | U12795 | U12790 |
| UMP 8.10 | MOUNTING PLATE | 800 × 1000 | 748 × 948 | 13.76 | U12805 | U12800 |
| UMP 8.12 | MOUNTING PLATE | 800 × 1200 | 748 × 1148 | 16.55 | U12815 | U12810 |
| UMP 8.14 | MOUNTING PLATE | 800 × 1400 | 748 × 1348 | 15.80 | U12825 | U12820 |
| UMP 8.16 | MOUNTING PLATE | 800 × 1600 | 748 × 1548 | 22.14 | U12835 | U12830 |
| UMP 8.18 | MOUNTING PLATE | 800 × 1800 | 748 × 1748 | 24.93 | U12845 | U12840 |
| UMP 8.20 | MOUNTING PLATE | 800 × 2000 | 748 × 1948 | 27.00 | U12855 | U12850 |

| CAT. No. | DESCRIPTION | WEIGHT (kg) | ORDER No. Alu-zinc | ORDER No. RAL 9010 SMF. |
|----------|---------------------|-------------|-----------------------|----------------------------|
| UFIP 18 | FILLER PROFILE 1800 | 2.82 | U13035 | U13030 |
| UFIP 20 | FILLER PROFILE 2000 | 3.39 | U13045 | U13040 |

| CAT. No. | DESCRIPTION | WEIGHT (kg) | ORDER No. Alu-zinc | ORDER No. RAL 9010 SMF. |
|----------|--------------------|-------------|-----------------------|----------------------------|
| UMR 4 | MOUNTING RAILS 400 | 0.99 | U12985 | U12980 |
| UMR 6 | MOUNTING RAILS 600 | 1.49 | U12995 | U12990 |
| UMR 8 | MOUNTING RAILS 800 | 1.94 | U13005 | U13000 |

| CAT. No. | DESCRIPTION | WEIGHT (kg) | ORDER No. RAL 9010 SMF. |
|----------|-------------------|-------------|----------------------------|
| UMB | MOUNTING BRACKETS | 0.38 | U98317 |





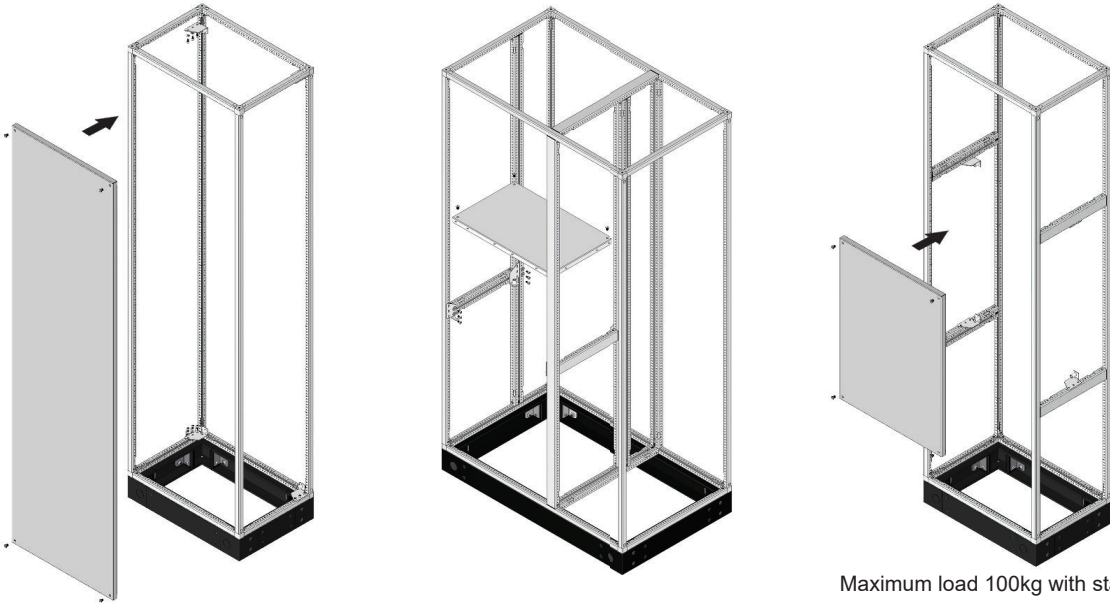
MOUNTING PLATES VERSION 2 ■

| CAT. No. | DESCRIPTION | NOMINAL SIZE (W×H) | ACTUAL SIZE (W×H) | WEIGHT (kg) | ORDER No. Alu-zinc | ORDER No. HEAVY DUTY Electro Hot Galvanized |
|-------------|---------------------|--------------------|-------------------|-------------|--------------------|---|
| UMPV2 2.2 | MOUNTING PLATE - V2 | 200 × 200 | 143 × 143 | 0.52 | U19430 | - |
| UMPV2 2.4 | MOUNTING PLATE - V2 | 200 × 400 | 143 × 343 | 0.84 | U19431 | - |
| UMPV2 2.6 | MOUNTING PLATE - V2 | 200 × 600 | 143 × 543 | 2.14 | U19432 | - |
| UMPV2 2.8 | MOUNTING PLATE - V2 | 200 × 800 | 143 × 743 | 3.45 | U19433 | - |
| UMPV2 2.10 | MOUNTING PLATE - V2 | 200 × 1000 | 143 × 943 | 4.72 | U19434 | - |
| UMPV2 2.12 | MOUNTING PLATE - V2 | 200 × 1200 | 143 × 1143 | 6.02 | U19435 | - |
| UMPV2 2.14 | MOUNTING PLATE - V2 | 200 × 1400 | 143 × 1343 | 7.38 | U19436 | - |
| UMPV2 2.16 | MOUNTING PLATE - V2 | 200 × 1600 | 143 × 1543 | 8.69 | U19437 | - |
| UMPV2 2.18 | MOUNTING PLATE - V2 | 200 × 1800 | 143 × 1743 | 9.92 | U19438 | - |
| UMPV2 2.20 | MOUNTING PLATE - V2 | 200 × 2000 | 143 × 1943 | 11.26 | U19439 | - |
| UMPV2 4.3 | MOUNTING PLATE - V2 | 400 × 300 | 343 × 243 | 1.50 | U19461 | - |
| UMPV2 4.4 | MOUNTING PLATE - V2 | 400 × 400 | 343 × 343 | 2.16 | U19462 | - |
| UMPV2 4.6 | MOUNTING PLATE - V2 | 400 × 600 | 343 × 543 | 3.47 | U19463 | - |
| UMPV2 4.8 | MOUNTING PLATE - V2 | 400 × 800 | 343 × 743 | 4.78 | U19464 | - |
| UMPV2 4.10 | MOUNTING PLATE - V2 | 400 × 1000 | 343 × 943 | 6.09 | U19465 | - |
| UMPV2 4.12 | MOUNTING PLATE - V2 | 400 × 1200 | 343 × 1143 | 7.40 | U19466 | - |
| UMPV2 4.14 | MOUNTING PLATE - V2 | 400 × 1400 | 343 × 1343 | 8.71 | U19467 | - |
| UMPV2 4.16 | MOUNTING PLATE - V2 | 400 × 1600 | 343 × 1543 | 10.02 | U19468 | - |
| UMPV2 4.18 | MOUNTING PLATE - V2 | 400 × 1800 | 343 × 1743 | 11.33 | U19469 | - |
| UMPV2 4.20 | MOUNTING PLATE - V2 | 400 × 2000 | 343 × 1943 | 12.64 | U19470 | - |
| UMPV2 6.6 | MOUNTING PLATE - V2 | 600 × 600 | 543 × 543 | 5.43 | U19471 | - |
| UMPV2 6.8 | MOUNTING PLATE - V2 | 600 × 800 | 543 × 743 | 7.41 | U19472 | - |
| UMPV2 6.10 | MOUNTING PLATE - V2 | 600 × 1000 | 543 × 943 | 9.37 | U19473 | - |
| UMPV2 6.12 | MOUNTING PLATE - V2 | 600 × 1200 | 543 × 1143 | 11.33 | U19474 | - |
| UMPV2 6.14 | MOUNTING PLATE - V2 | 600 × 1400 | 543 × 1343 | 13.31 | U19475 | - |
| UMPV2 6.16 | MOUNTING PLATE - V2 | 600 × 1600 | 543 × 1543 | 15.27 | U19476 | - |
| UMPV2 6.18 | MOUNTING PLATE - V2 | 600 × 1800 | 543 × 1743 | 17.23 | U19477 | - |
| UMPV2 6.20 | MOUNTING PLATE - V2 | 600 × 2000 | 543 × 1943 | 19.21 | U19478 | U19495 |
| UMPV2 6.22 | MOUNTING PLATE - V2 | 600 × 2200 | 543 × 2143 | 21.19 | U19486 | U19502 |
| UMPV2 8.8 | MOUNTING PLATE - V2 | 800 × 800 | 743 × 743 | 10.02 | U19479 | - |
| UMPV2 8.10 | MOUNTING PLATE - V2 | 800 × 1000 | 743 × 943 | 12.64 | U19480 | - |
| UMPV2 8.12 | MOUNTING PLATE - V2 | 800 × 1200 | 743 × 1143 | 15.27 | U19481 | - |
| UMPV2 8.14 | MOUNTING PLATE - V2 | 800 × 1400 | 743 × 1343 | 17.89 | U19482 | - |
| UMPV2 8.16 | MOUNTING PLATE - V2 | 800 × 1600 | 743 × 1543 | 20.51 | U19483 | - |
| UMPV2 8.18 | MOUNTING PLATE - V2 | 800 × 1800 | 743 × 1743 | 23.13 | U19484 | - |
| UMPV2 8.20 | MOUNTING PLATE - V2 | 800 × 2000 | 743 × 1943 | 25.75 | U19485 | U19496 |
| UMPV2 8.22 | MOUNTING PLATE - V2 | 800 × 2200 | 743 × 2143 | 28.37 | - | U19498 |
| UMPV2 10.20 | MOUNTING PLATE - V2 | 1000 × 2000 | 943 × 1943 | 46.96 | - | U19499 |
| UMPV2 10.22 | MOUNTING PLATE - V2 | 1000 × 2200 | 943 × 2143 | 51.66 | - | U19500 |
| UMPV2 12.20 | MOUNTING PLATE - V2 | 1200 × 2000 | 1143 × 1943 | 56.36 | - | U19501 |
| UMPV2 12.22 | MOUNTING PLATE - V2 | 1200 × 2200 | 1143 × 2143 | 62.00 | - | U19497 |

| CAT. No. | DESCRIPTION | WEIGHT (kg) | ORDER No. Alu-zinc |
|-----------|---------------------|-------------|--------------------|
| UFIPV2 18 | FILLER PROFILE 1800 | 2.99 | U19515 |
| UFIPV2 20 | FILLER PROFILE 2000 | 3.35 | U19516 |
| UFIPV2 22 | FILLER PROFILE 2200 | 3.71 | U19517 |

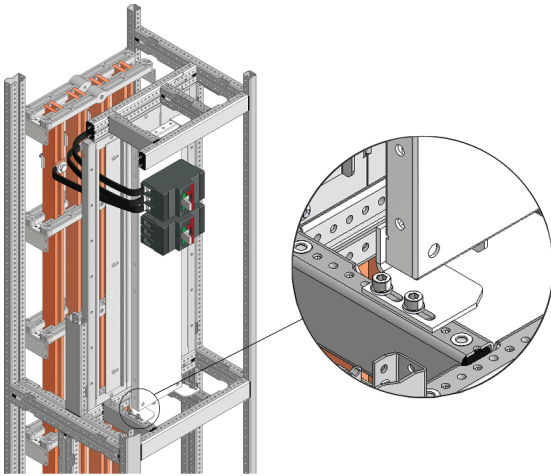
| CAT. No. | DESCRIPTION | WEIGHT (kg) | ORDER No. Zinc plated |
|----------|--------------------------------------|-------------|-----------------------|
| UMBV2 | MOUNTING BRACKETS | 0.46 | U19400 |
| UMBOV2 | MOUNTING BRACKETS WITH OVAL HOLES | 0.46 | U19493 |
| UHDMB | HEAVY DUTY MOUNTING BRACKETS | 0.82 | U19491 |
| UHDMB3 | HEAVY DUTY MOUNTING BRACKETS FOR 3mm | 0.98 | U19492 |
| USFMP | SPACER FOR MOUNTING PLATE | 0.02 | U19494 |

UMBV2

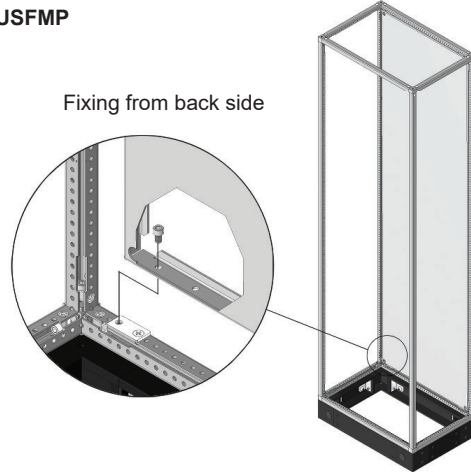


Maximum load 100kg with standard brackets.

UMBOV2

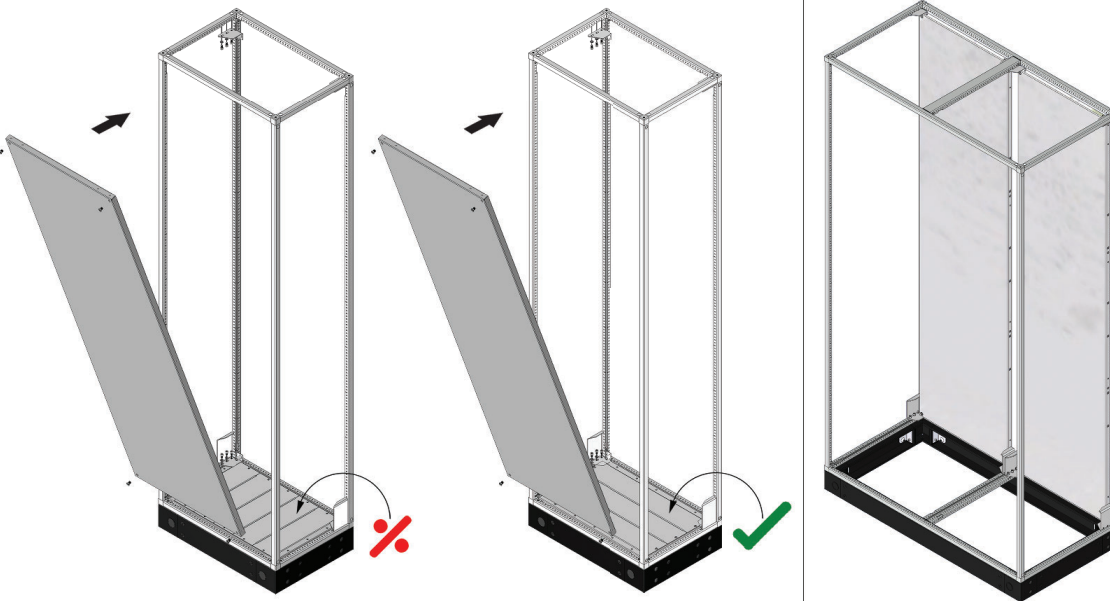


USFMP

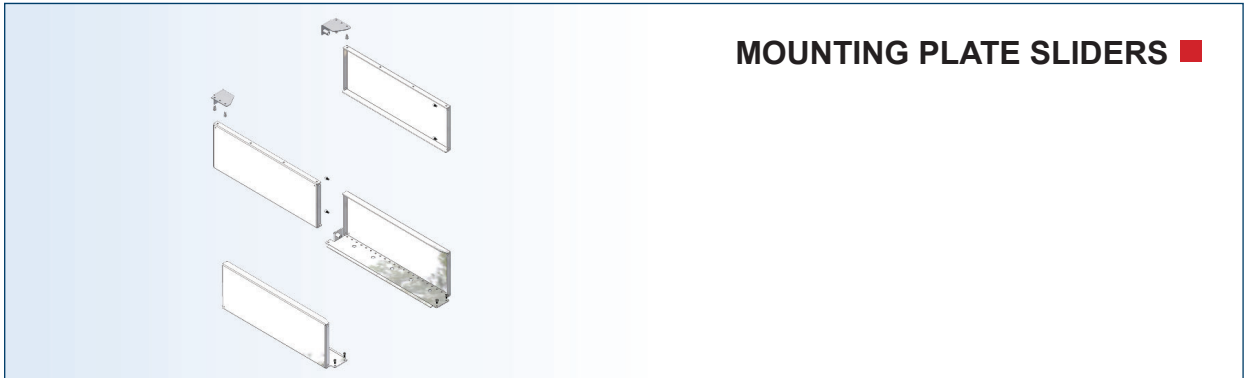


UHDMB

UHDMB3 When using heavy duty brackets, the top must be mounted with standard brackets.

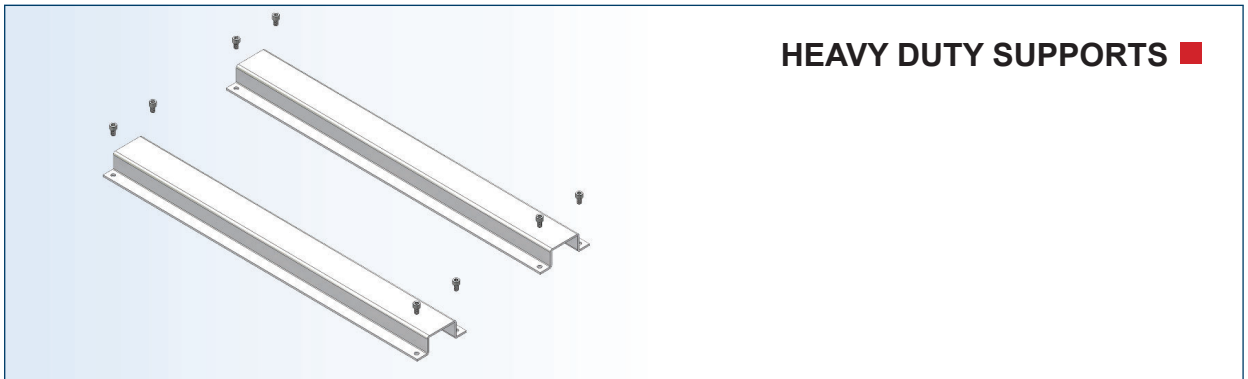


Maximum Load 250kg with heavy duty brackets.
Maximum Load 500kg with 3mm Mounting Plate & heavy duty brackets.



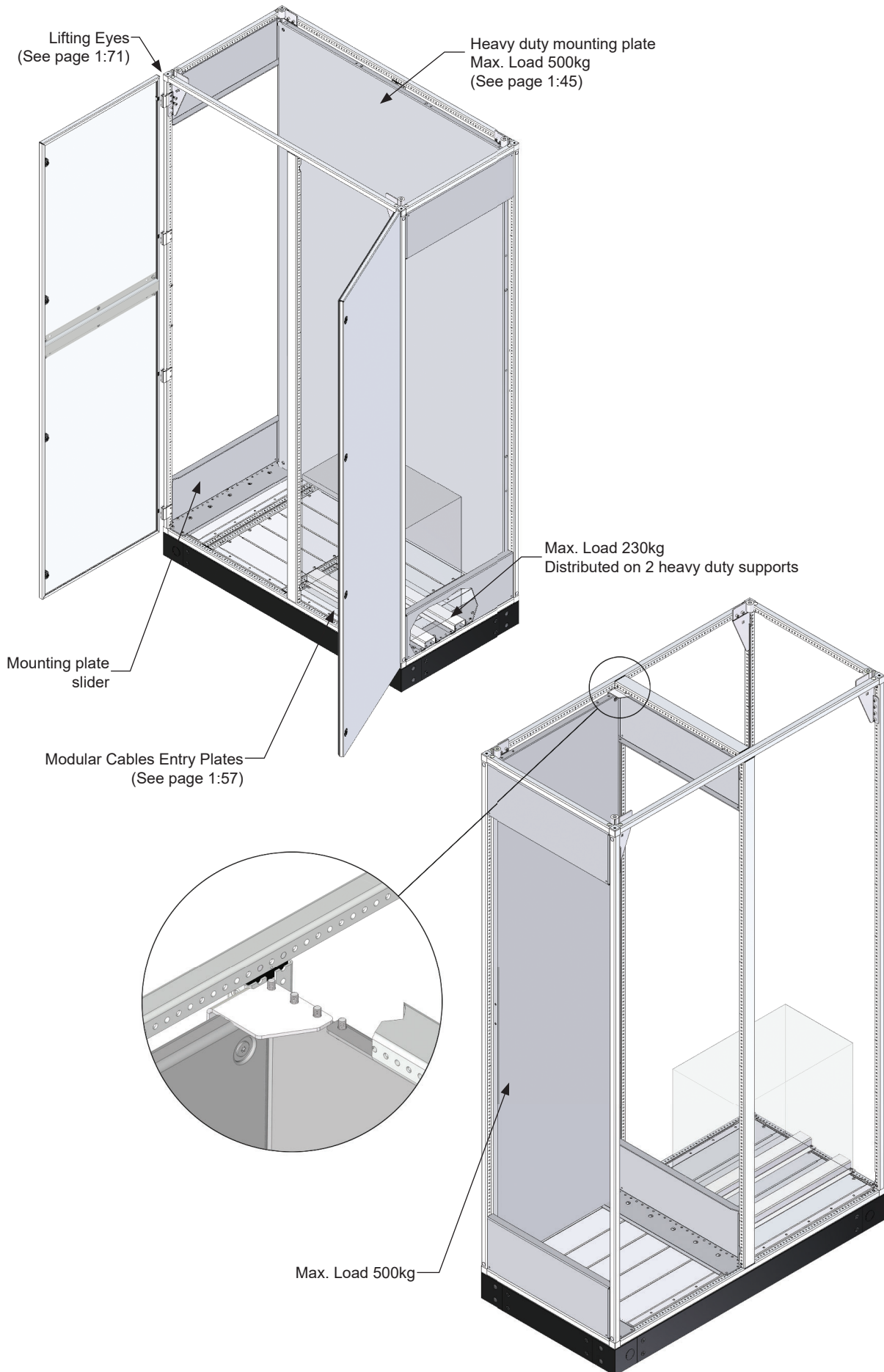
MOUNTING PLATE SLIDERS ■

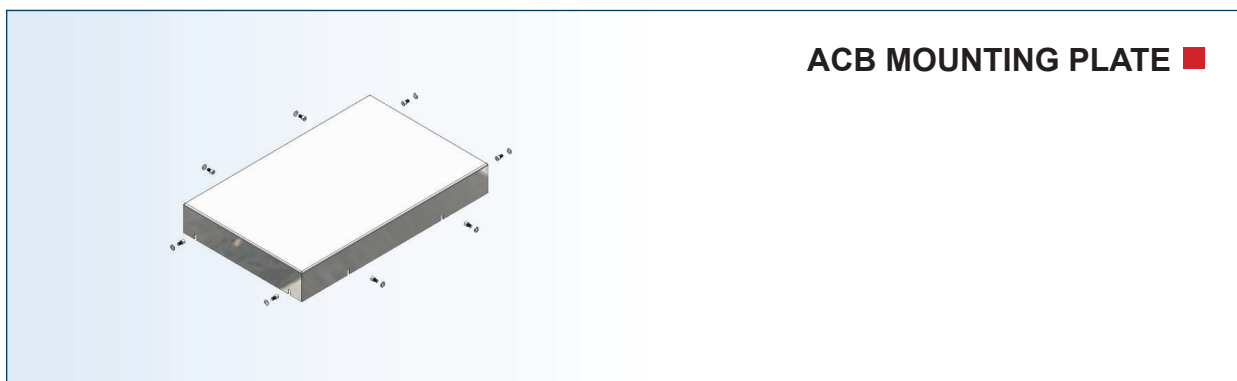
| CAT. No. | DESCRIPTION | LENGTH | WEIGHT (kg) | ORDER No. Electro Hot galvanized |
|----------|------------------------|--------|-------------|-------------------------------------|
| UMPSLD 4 | MOUNTING PLATE SLIDERS | 400 | 1.28 | U19510 |
| UMPSLD 6 | MOUNTING PLATE SLIDERS | 600 | 1.92 | U19511 |
| UMPSLD 8 | MOUNTING PLATE SLIDERS | 800 | 2.56 | U19512 |



HEAVY DUTY SUPPORTS ■

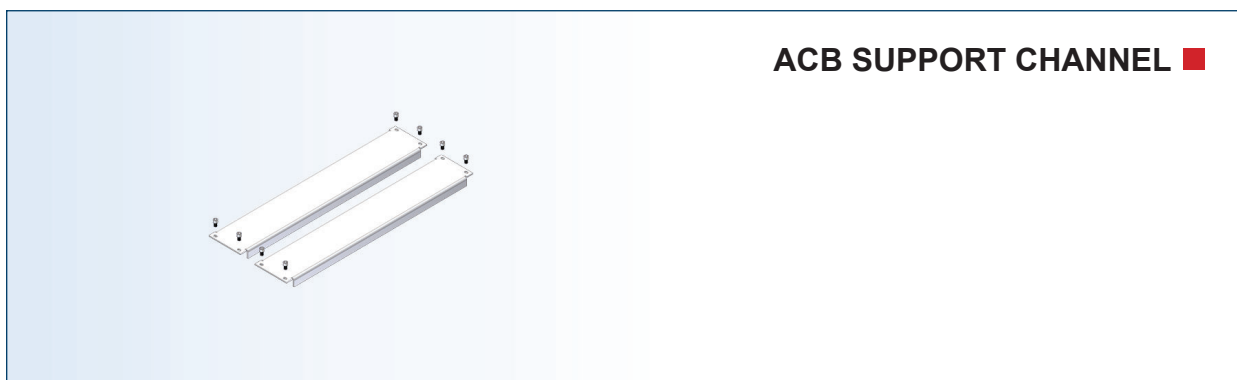
| CAT. No. | DESCRIPTION | LENGTH | WEIGHT (kg) | ORDER No. Electro Hot galvanized |
|----------|---------------------|--------|-------------|-------------------------------------|
| UHDSU 4 | HEAVY DUTY SUPPORTS | 400 | 2.61 | U19505 |
| UHDSU 6 | HEAVY DUTY SUPPORTS | 600 | 3.92 | U19506 |
| UHDSU 8 | HEAVY DUTY SUPPORTS | 800 | 5.22 | U19507 |





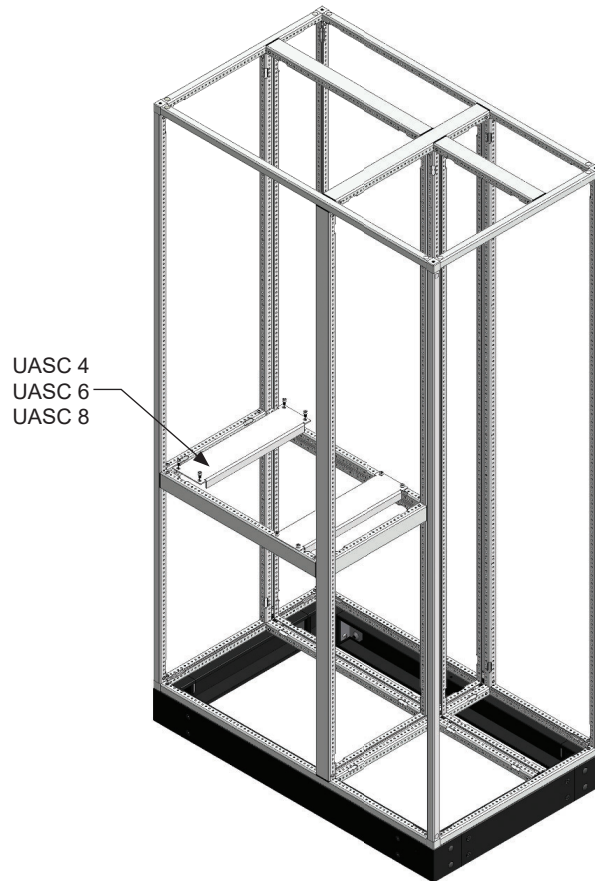
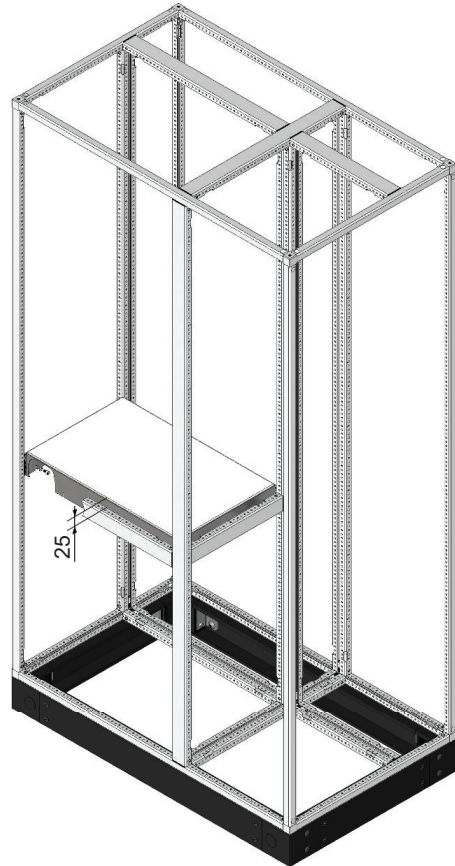
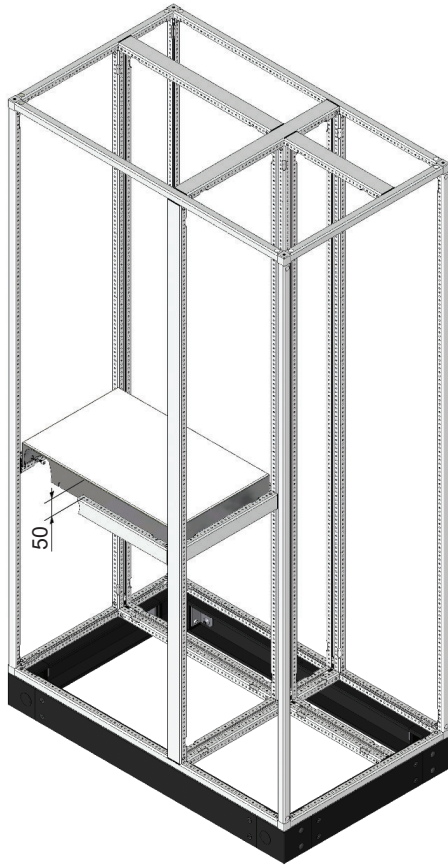
ACB MOUNTING PLATE ■

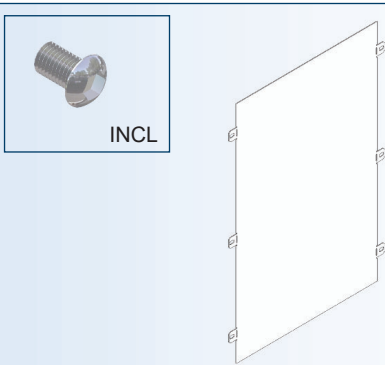
| CAT. No. | DESCRIPTION | SIZE (W×D) | WEIGHT (kg) | ORDER No. Alu-zinc |
|-----------|--------------------|------------|-------------|-----------------------|
| UACM 4.4 | ACB MOUNTING PLATE | 400 × 400 | 3.38 | U39220 |
| UACM 6.4 | ACB MOUNTING PLATE | 600 × 400 | 4.87 | U39221 |
| UACM 8.4 | ACB MOUNTING PLATE | 800 × 400 | 6.26 | U39222 |
| UACM 10.4 | ACB MOUNTING PLATE | 1000 × 400 | 8.25 | U39223 |
| UACM 12.4 | ACB MOUNTING PLATE | 1200 × 400 | 9.72 | U39222 |



ACB SUPPORT CHANNEL ■

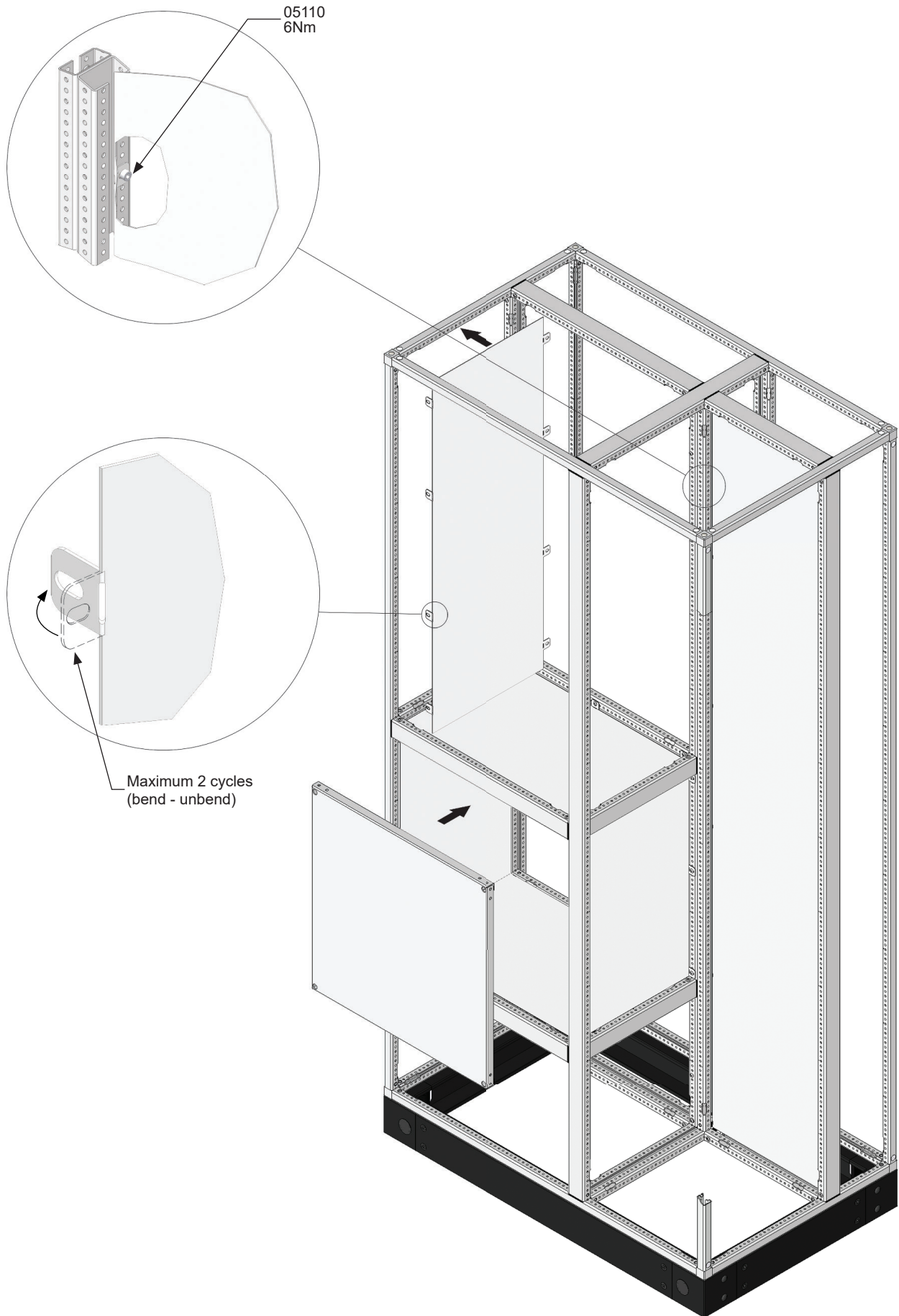
| CAT. No. | DESCRIPTION | WEIGHT (kg) | ORDER No. RAL 9010 |
|----------|-------------------------|-------------|-----------------------|
| UASC 4 | ACB SUPPORT CHANNEL 400 | 2.55 | U98332 |
| UASC 6 | ACB SUPPORT CHANNEL 600 | 3.87 | U98333 |
| UASC 8 | ACB SUPPORT CHANNEL 800 | 5.13 | U98334 |

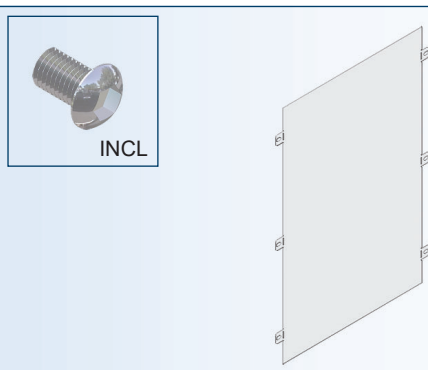




SEPARATION PLATE ■

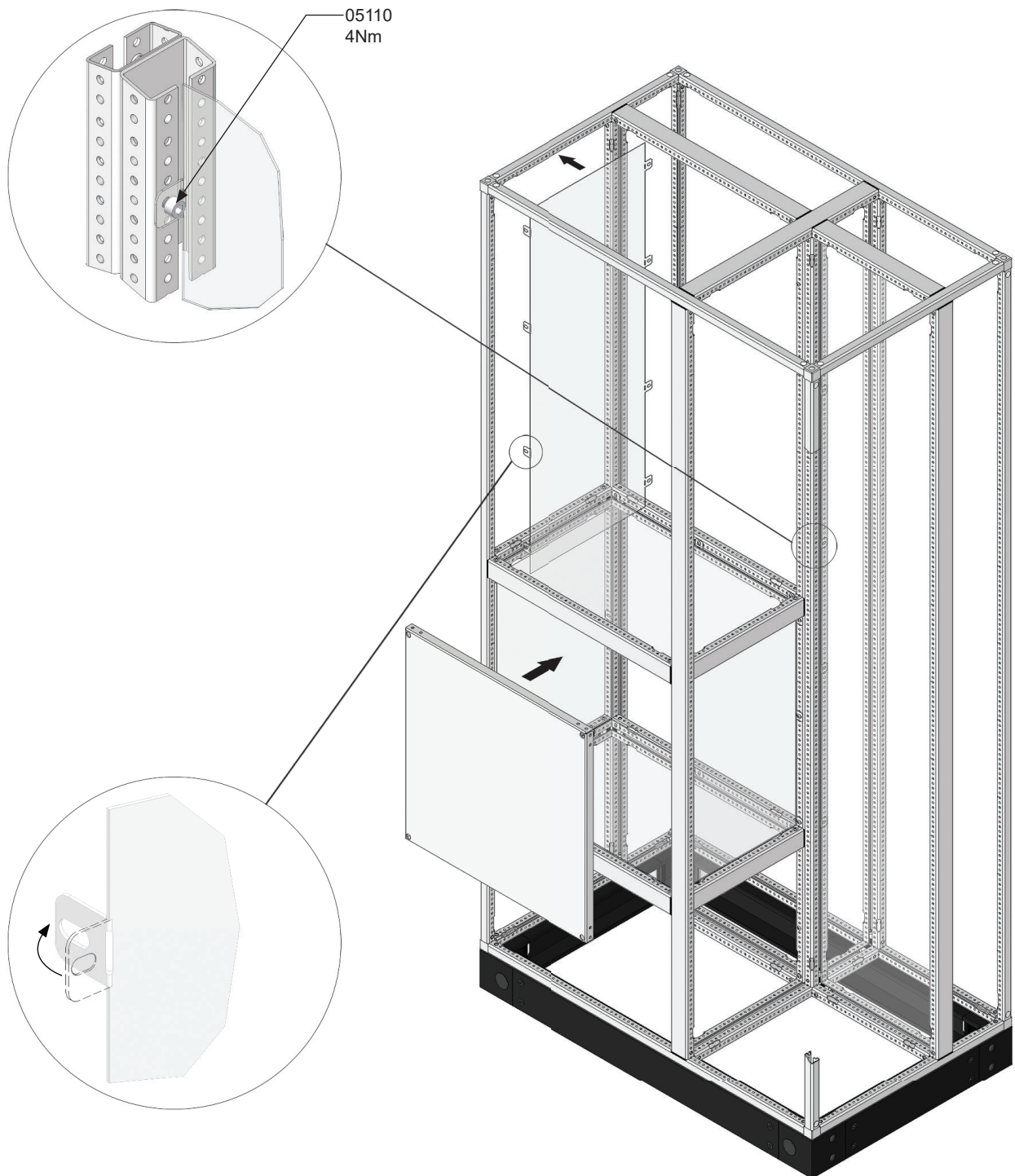
| CAT. No. | DESCRIPTION | SIZE (W×H) | WEIGHT (kg) | ORDER No. Alu-zinc | ORDER No. Mild Steel Painted RAL 9010 SMF. |
|----------|------------------|------------|-------------|-----------------------|--|
| USP 2.2 | SEPARATION PLATE | 200 × 200 | 2.30 | U13077 | U13072 |
| USP 2.4 | SEPARATION PLATE | 200 × 400 | 0.53 | U13087 | U13082 |
| USP 2.6 | SEPARATION PLATE | 200 × 600 | 0.67 | U13097 | U13092 |
| USP 2.8 | SEPARATION PLATE | 200 × 800 | 1.10 | U13107 | U13102 |
| USP 2.10 | SEPARATION PLATE | 200 × 1000 | 1.40 | U13117 | U13112 |
| USP 2.12 | SEPARATION PLATE | 200 × 1200 | 1.70 | U13127 | U13122 |
| USP 2.14 | SEPARATION PLATE | 200 × 1400 | 2.52 | U13137 | U13132 |
| USP 2.16 | SEPARATION PLATE | 200 × 1600 | 3.00 | U13147 | U13142 |
| USP 2.18 | SEPARATION PLATE | 200 × 1800 | 2.91 | U13157 | U13152 |
| USP 2.20 | SEPARATION PLATE | 200 × 2000 | 3.81 | U13163 | U13161 |
| USP 4.4 | SEPARATION PLATE | 400 × 400 | 0.99 | U13187 | U13182 |
| USP 4.6 | SEPARATION PLATE | 400 × 600 | 1.59 | U13197 | U13192 |
| USP 4.8 | SEPARATION PLATE | 400 × 800 | 2.60 | U13207 | U13202 |
| USP 4.10 | SEPARATION PLATE | 400 × 1000 | 3.86 | U13217 | U13212 |
| USP 4.12 | SEPARATION PLATE | 400 × 1200 | 4.12 | U13227 | U13222 |
| USP 4.14 | SEPARATION PLATE | 400 × 1400 | 5.30 | U13237 | U13232 |
| USP 4.16 | SEPARATION PLATE | 400 × 1600 | 5.26 | U13247 | U13242 |
| USP 4.18 | SEPARATION PLATE | 400 × 1800 | 7.15 | U13257 | U13252 |
| USP 4.20 | SEPARATION PLATE | 400 × 2000 | 7.25 | U13263 | U13261 |
| USP 6.6 | SEPARATION PLATE | 600 × 600 | 2.96 | U13287 | U13282 |
| USP 6.8 | SEPARATION PLATE | 600 × 800 | 3.97 | U13297 | U13292 |
| USP 6.10 | SEPARATION PLATE | 600 × 1000 | 5.19 | U13307 | U13302 |
| USP 6.12 | SEPARATION PLATE | 600 × 1200 | 7.21 | U13317 | U13312 |
| USP 6.14 | SEPARATION PLATE | 600 × 1400 | 8.51 | U13327 | U13322 |
| USP 6.16 | SEPARATION PLATE | 600 × 1600 | 8.81 | U13337 | U13332 |
| USP 6.18 | SEPARATION PLATE | 600 × 1800 | 10.81 | U13347 | U13342 |
| USP 6.20 | SEPARATION PLATE | 600 × 2000 | 11.89 | U13353 | U13351 |





POLYCARBONATE ■ SEPARATION PLATE

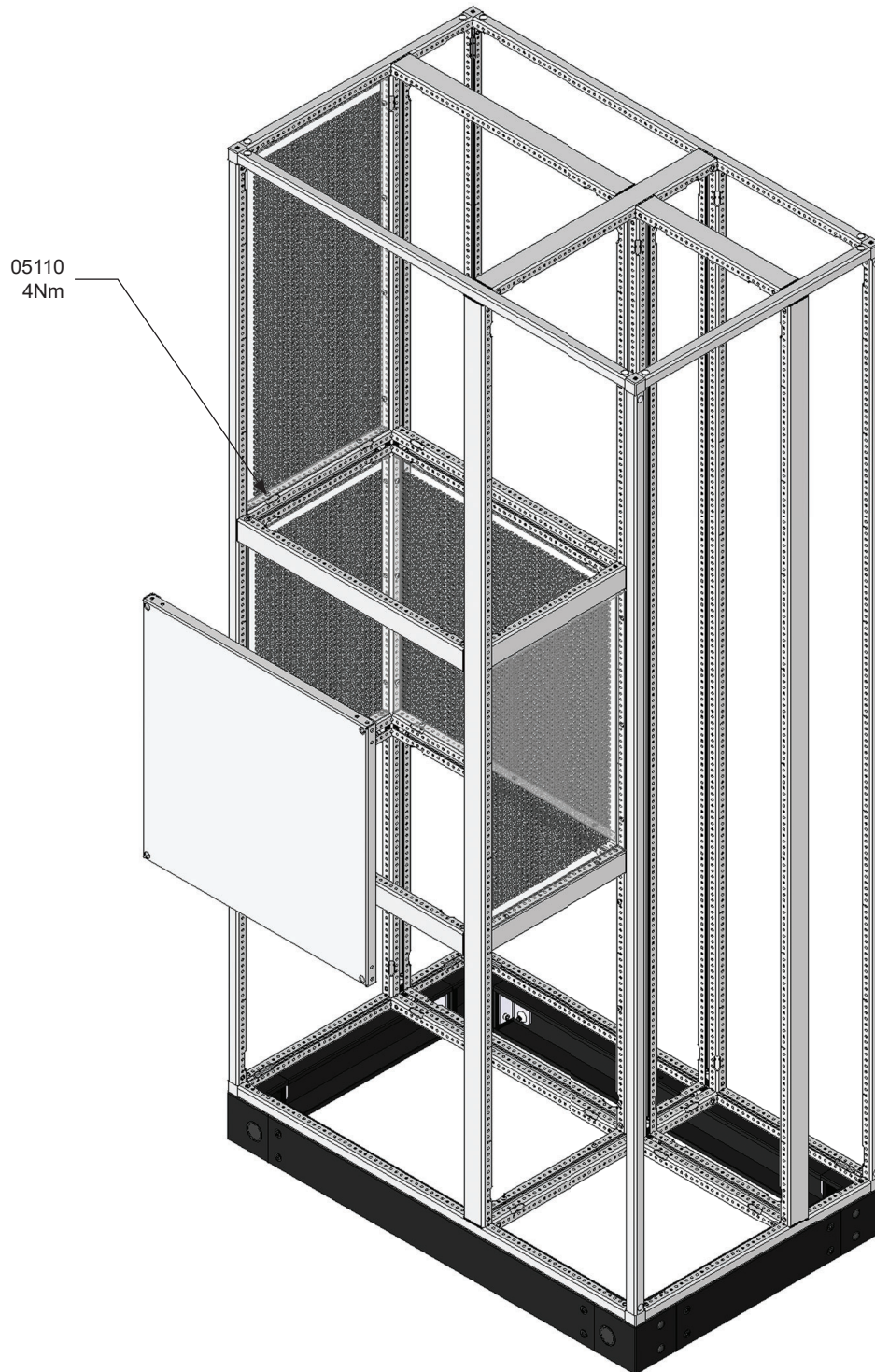
| CAT. No. | DESCRIPTION | SIZE (W×H) | WEIGHT (kg) | ORDER No. Polycarbonate 2mm |
|-----------|--------------------------------|------------|-------------|--------------------------------|
| UPSP 2.2 | POLYCARBONATE SEPARATION PLATE | 200 × 200 | 0.06 | U16900 |
| UPSP 2.4 | POLYCARBONATE SEPARATION PLATE | 200 × 400 | 0.13 | U16903 |
| UPSP 2.6 | POLYCARBONATE SEPARATION PLATE | 200 × 600 | 0.22 | U16906 |
| UPSP 2.8 | POLYCARBONATE SEPARATION PLATE | 200 × 800 | 0.27 | U16909 |
| UPSP 2.10 | POLYCARBONATE SEPARATION PLATE | 200 × 1000 | 0.33 | U16912 |
| UPSP 2.12 | POLYCARBONATE SEPARATION PLATE | 200 × 1200 | 0.43 | U16915 |
| UPSP 2.14 | POLYCARBONATE SEPARATION PLATE | 200 × 1400 | 0.52 | U16918 |
| UPSP 2.16 | POLYCARBONATE SEPARATION PLATE | 200 × 1600 | 0.60 | U16921 |
| UPSP 2.18 | POLYCARBONATE SEPARATION PLATE | 200 × 1800 | 0.67 | U16924 |
| UPSP 2.20 | POLYCARBONATE SEPARATION PLATE | 200 × 2000 | 0.75 | U16927 |
| UPSP 4.4 | POLYCARBONATE SEPARATION PLATE | 400 × 400 | 0.34 | U16940 |
| UPSP 4.6 | POLYCARBONATE SEPARATION PLATE | 400 × 600 | 0.50 | U16943 |
| UPSP 4.8 | POLYCARBONATE SEPARATION PLATE | 400 × 800 | 0.68 | U16946 |
| UPSP 4.10 | POLYCARBONATE SEPARATION PLATE | 400 × 1000 | 0.81 | U16949 |
| UPSP 4.12 | POLYCARBONATE SEPARATION PLATE | 400 × 1200 | 1.15 | U16952 |
| UPSP 4.14 | POLYCARBONATE SEPARATION PLATE | 400 × 1400 | 1.21 | U16955 |
| UPSP 4.16 | POLYCARBONATE SEPARATION PLATE | 400 × 1600 | 1.40 | U16958 |
| UPSP 4.18 | POLYCARBONATE SEPARATION PLATE | 400 × 1800 | 1.60 | U16961 |
| UPSP 4.20 | POLYCARBONATE SEPARATION PLATE | 400 × 2000 | 1.70 | U16964 |
| UPSP 6.6 | POLYCARBONATE SEPARATION PLATE | 600 × 600 | 0.79 | U16970 |
| UPSP 6.8 | POLYCARBONATE SEPARATION PLATE | 600 × 800 | 1.06 | U16973 |
| UPSP 6.10 | POLYCARBONATE SEPARATION PLATE | 600 × 1000 | 1.35 | U16976 |
| UPSP 6.12 | POLYCARBONATE SEPARATION PLATE | 600 × 1200 | 1.60 | U16979 |
| UPSP 6.14 | POLYCARBONATE SEPARATION PLATE | 600 × 1400 | 1.84 | U16882 |
| UPSP 6.16 | POLYCARBONATE SEPARATION PLATE | 600 × 1600 | 2.18 | U16985 |
| UPSP 6.18 | POLYCARBONATE SEPARATION PLATE | 600 × 1800 | 2.46 | U16988 |
| UPSP 6.20 | POLYCARBONATE SEPARATION PLATE | 600 × 2000 | 2.68 | U16991 |



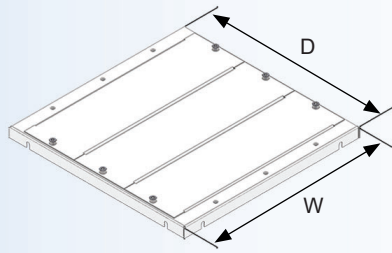


SEPARATION PLATE ■ WITH VENTILATION

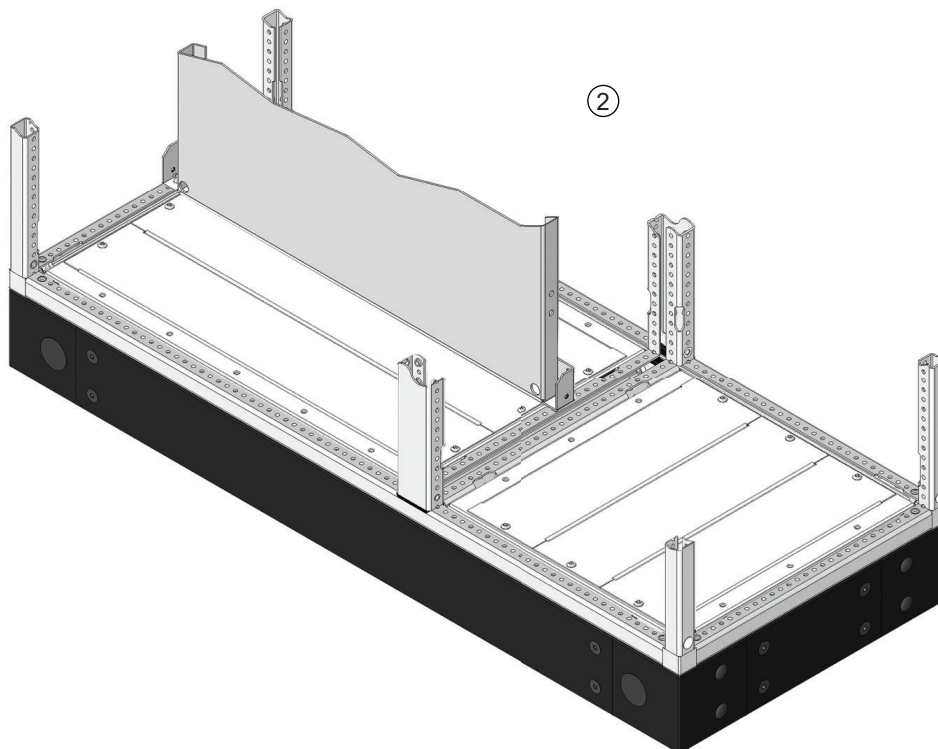
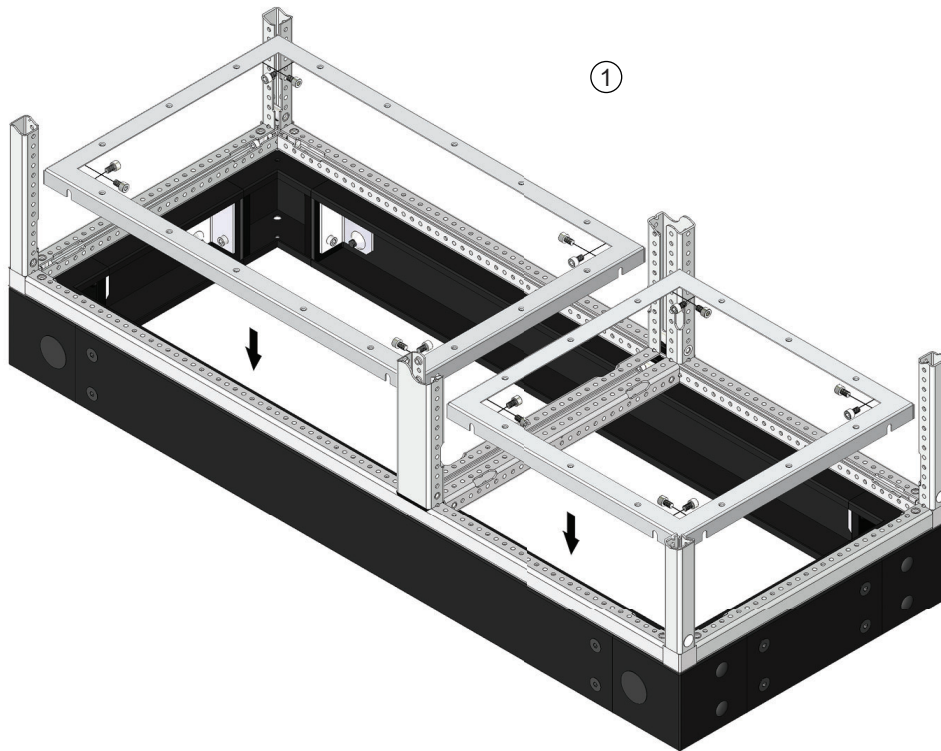
| CAT. No. | DESCRIPTION | SIZE (W×H) | WEIGHT (kg) | ORDER No. Polycarbonate 2mm |
|------------|-----------------------------------|------------|-------------|--------------------------------|
| UPSPC 2.2 | SEPARATION PLATE WITH VENTILATION | 200 × 200 | 0.07 | U16901 |
| UPSPC 2.4 | SEPARATION PLATE WITH VENTILATION | 200 × 400 | 0.14 | U16904 |
| UPSPC 2.6 | SEPARATION PLATE WITH VENTILATION | 200 × 600 | 0.21 | U16907 |
| UPSPC 2.8 | SEPARATION PLATE WITH VENTILATION | 200 × 800 | 0.28 | U16910 |
| UPSPC2.10 | SEPARATION PLATE WITH VENTILATION | 200 × 1000 | 0.35 | U16913 |
| UPSPC 2.12 | SEPARATION PLATE WITH VENTILATION | 200 × 1200 | 0.42 | U16916 |
| UPSPC 2.14 | SEPARATION PLATE WITH VENTILATION | 200 × 1400 | 0.49 | U16919 |
| UPSPC 2.16 | SEPARATION PLATE WITH VENTILATION | 200 × 1600 | 0.56 | U16922 |
| UPSPC 2.18 | SEPARATION PLATE WITH VENTILATION | 200 × 1800 | 0.62 | U16925 |
| UPSPC 2.20 | SEPARATION PLATE WITH VENTILATION | 200 × 2000 | 0.69 | U16928 |
| UPSPC 4.4 | SEPARATION PLATE WITH VENTILATION | 400 × 400 | 0.26 | U16941 |
| UPSPC 4.6 | SEPARATION PLATE WITH VENTILATION | 400 × 600 | 0.40 | U16944 |
| UPSPC 4.8 | SEPARATION PLATE WITH VENTILATION | 400 × 800 | 0.54 | U16947 |
| UPSPC 4.10 | SEPARATION PLATE WITH VENTILATION | 400 × 1000 | 0.69 | U16950 |
| UPSPC 4.12 | SEPARATION PLATE WITH VENTILATION | 400 × 1200 | 0.83 | U16953 |
| UPSPC 4.14 | SEPARATION PLATE WITH VENTILATION | 400 × 1400 | 0.96 | U16956 |
| UPSPC 4.16 | SEPARATION PLATE WITH VENTILATION | 400 × 1600 | 1.10 | U16959 |
| UPSPC 4.18 | SEPARATION PLATE WITH VENTILATION | 400 × 1800 | 1.24 | U16962 |
| UPSPC 4.20 | SEPARATION PLATE WITH VENTILATION | 400 × 2000 | 1.37 | U16965 |
| UPSPC 6.6 | SEPARATION PLATE WITH VENTILATION | 600 × 600 | 0.62 | U16971 |
| UPSPC 6.8 | SEPARATION PLATE WITH VENTILATION | 600 × 800 | 0.83 | U16974 |
| UPSPC 6.10 | SEPARATION PLATE WITH VENTILATION | 600 × 1000 | 1.03 | U16977 |
| UPSPC 6.12 | SEPARATION PLATE WITH VENTILATION | 600 × 1200 | 1.23 | U16980 |
| UPSPC 6.14 | SEPARATION PLATE WITH VENTILATION | 600 × 1400 | 1.44 | U16983 |
| UPSPC 6.16 | SEPARATION PLATE WITH VENTILATION | 600 × 1600 | 1.64 | U16986 |
| UPSPC 6.18 | SEPARATION PLATE WITH VENTILATION | 600 × 1800 | 1.85 | U16989 |
| UPSPC 6.20 | SEPARATION PLATE WITH VENTILATION | 600 × 2000 | 2.05 | U16992 |



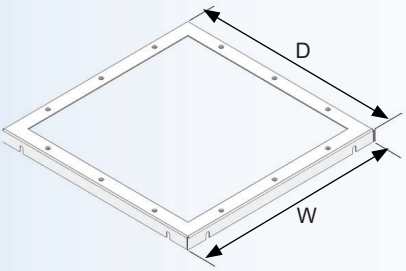
MODULAR CABLE ENTRY PLATE ■



| TYPE | DESCRIPTION | SIZE (W×D) | WEIGHT (kg) | ORDER No. Width Alu Zinc | ORDER No. RAL 9010 SMF. |
|----------|---------------------------|------------|-------------|--------------------------------|----------------------------|
| UMCE 2.2 | MODULAR CABLE ENTRY PLATE | 200 × 200 | 0.43 | U15381 | U15380 |
| UMCE 2.4 | MODULAR CABLE ENTRY PLATE | 200 × 400 | 2.00 | U15391 | U15390 |
| UMCE 2.6 | MODULAR CABLE ENTRY PLATE | 200 × 600 | 1.34 | U15396 | U15395 |
| UMCE 4.2 | MODULAR CABLE ENTRY PLATE | 400 × 200 | 0.88 | U15401 | U15400 |
| UMCE 4.4 | MODULAR CABLE ENTRY PLATE | 400 × 400 | 2.00 | U15411 | U15410 |
| UMCE 4.6 | MODULAR CABLE ENTRY PLATE | 400 × 600 | 3.15 | U15421 | U15420 |
| UMCE 4.8 | MODULAR CABLE ENTRY PLATE | 400 × 800 | 3.33 | U15423 | U15422 |
| UMCE 6.2 | MODULAR CABLE ENTRY PLATE | 600 × 200 | 1.34 | U15466 | U15465 |
| UMCE 6.4 | MODULAR CABLE ENTRY PLATE | 600 × 400 | 3.15 | U15431 | U15430 |
| UMCE 6.6 | MODULAR CABLE ENTRY PLATE | 600 × 600 | 4.81 | U15441 | U15440 |
| UMCE 6.8 | MODULAR CABLE ENTRY PLATE | 600 × 800 | 5.67 | U15451 | U15450 |
| UMCE 8.4 | MODULAR CABLE ENTRY PLATE | 800 × 400 | 3.33 | U15427 | U15424 |
| UMCE 8.6 | MODULAR CABLE ENTRY PLATE | 800 × 600 | 5.67 | U15459 | U15458 |

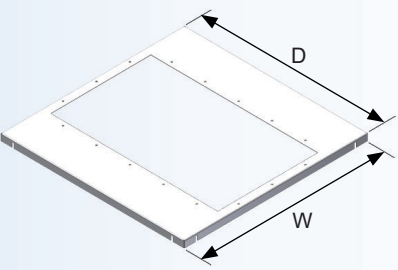


CABLE GLAND FRAME ■

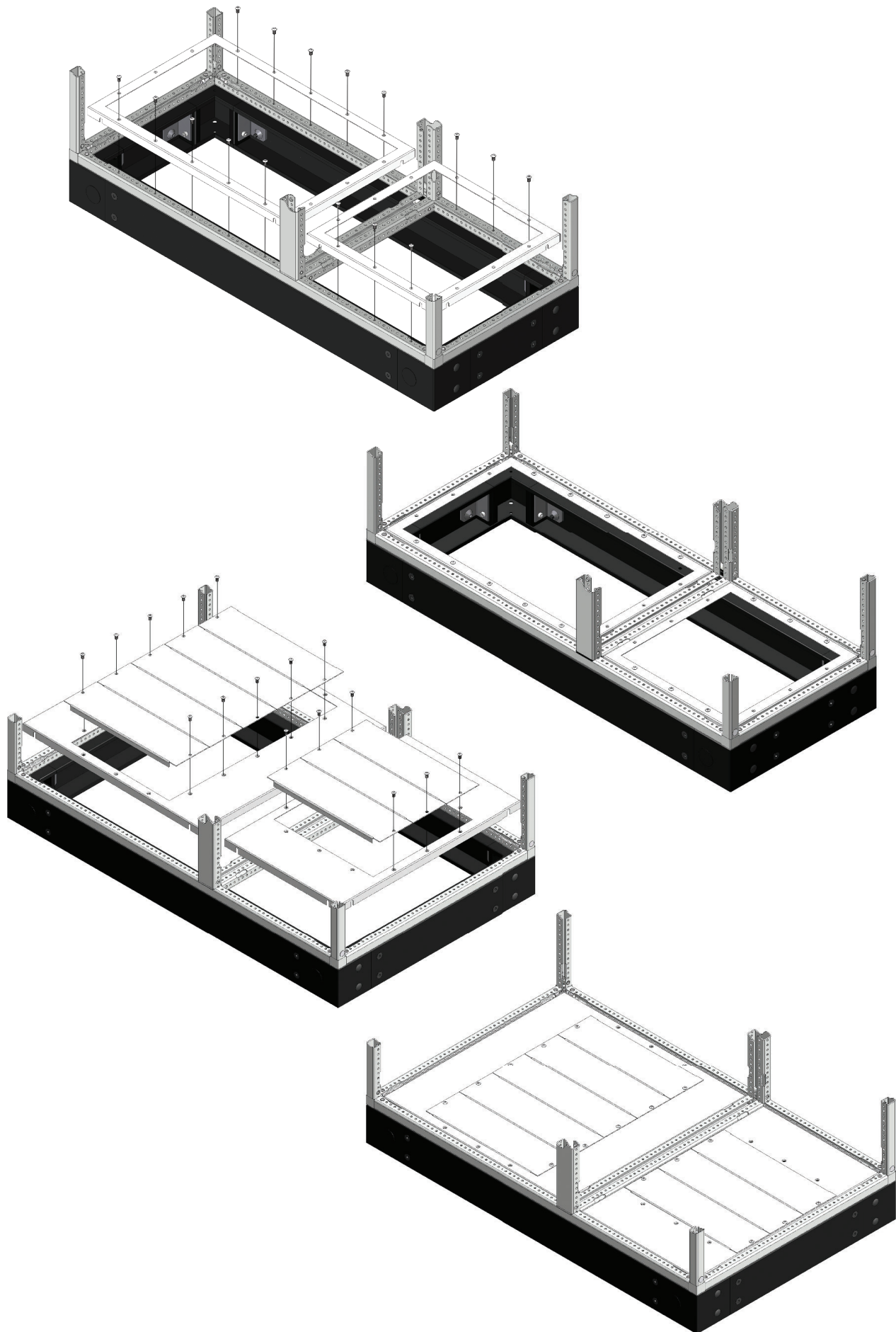


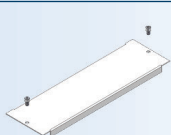
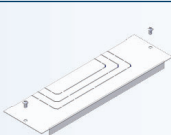
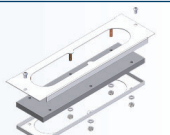

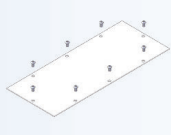

| CAT. No. | DESCRIPTION | SIZE (W×D) | WEIGHT (kg) | ORDER No. Alu-zinc | ORDER No. RAL 9010 SMF. |
|----------|-------------------|------------|-------------|-----------------------|----------------------------|
| UCGF 2.2 | CABLE GLAND FRAME | 200 × 200 | 0.21 | U17401 | U17400 |
| UCGF 2.4 | CABLE GLAND FRAME | 200 × 400 | 0.36 | U17406 | U17405 |
| UCGF 2.6 | CABLE GLAND FRAME | 200 × 600 | 0.54 | U17411 | U17410 |
| UCGF 4.4 | CABLE GLAND FRAME | 400 × 400 | 0.53 | U17421 | U17420 |
| UCGF 4.6 | CABLE GLAND FRAME | 400 × 600 | 0.70 | U17426 | U17425 |
| UCGF 4.8 | CABLE GLAND FRAME | 400 × 800 | 0.89 | U17431 | U17430 |
| UCGF 6.6 | CABLE GLAND FRAME | 600 × 600 | 0.88 | U17436 | U17435 |
| UCGF 6.8 | CABLE GLAND FRAME | 600 × 800 | 1.06 | U17441 | U17440 |

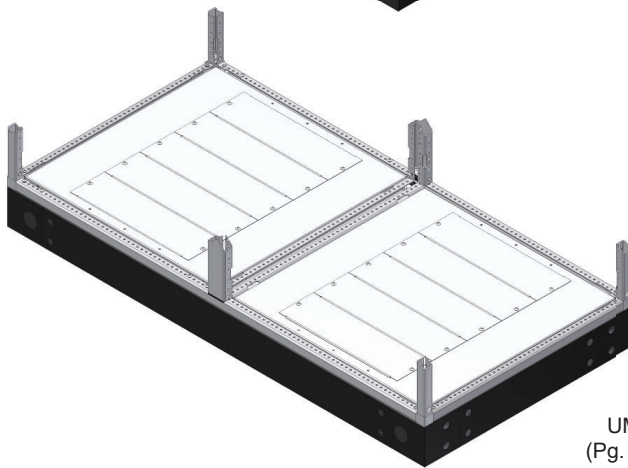
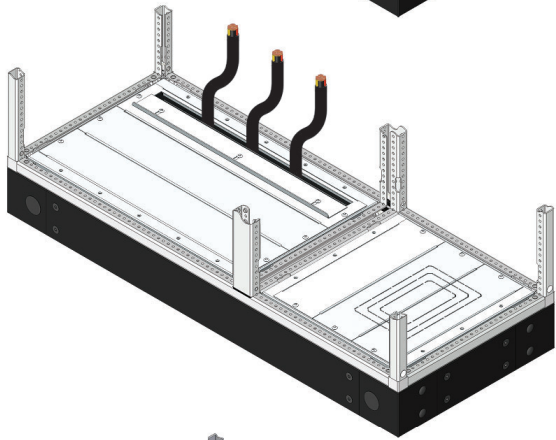
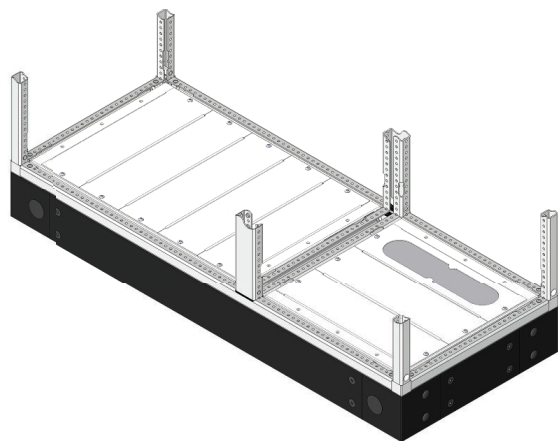
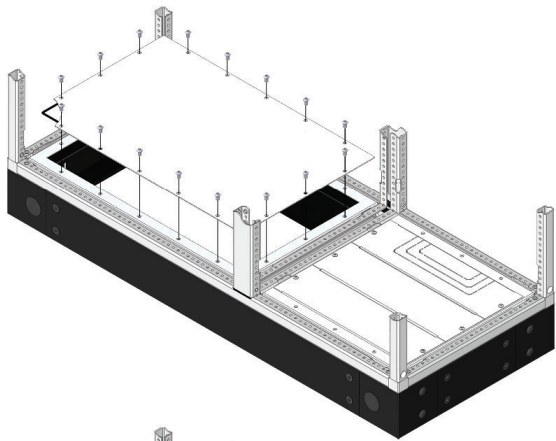
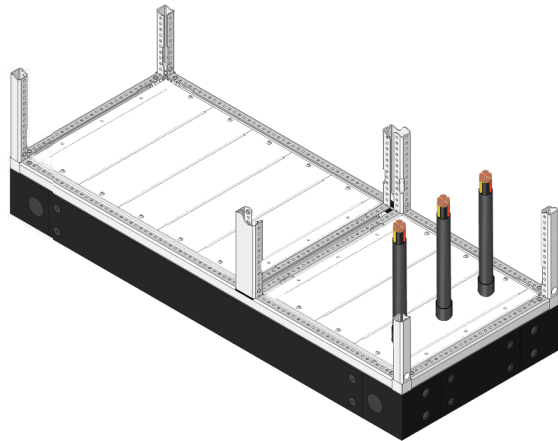
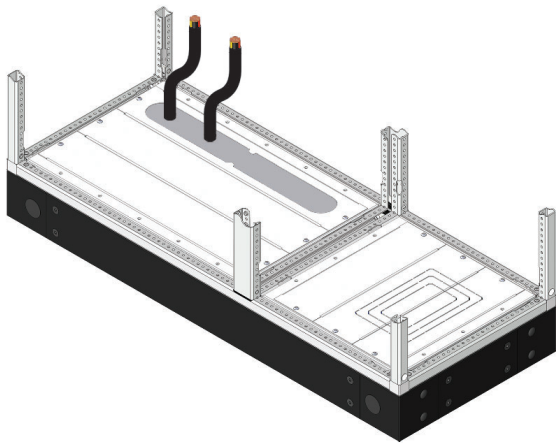
CABLE GLAND FRAME FOR MOUNTING PLATE SLIDERS ■



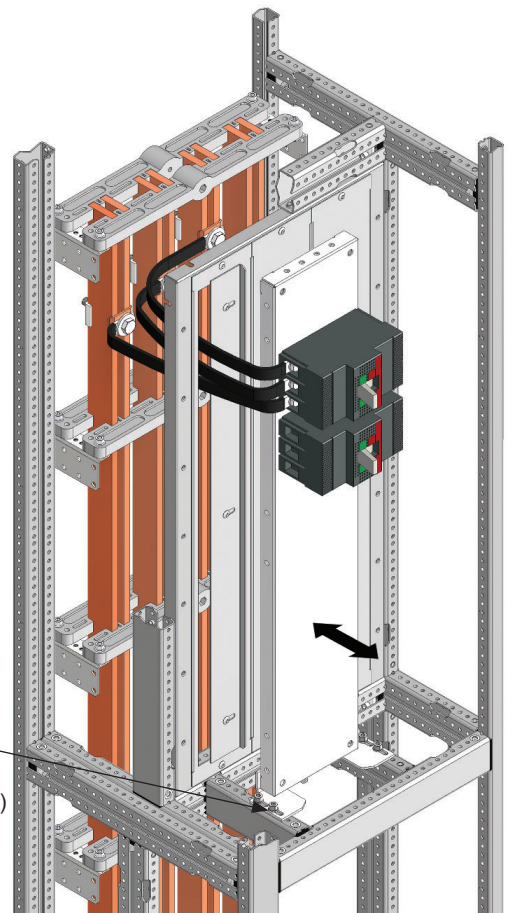
| CAT. No. | DESCRIPTION | SIZE (W×D) | WEIGHT (kg) | ORDER No. Alu-zinc | ORDER No. Mild Steel Painted RAL 9010 SMF. |
|-----------|---|------------|-------------|-----------------------|--|
| UCGFS 6.4 | CABLE GLAND FRAME FOR MT. PLATE SLIDERS | 600 × 400 | 1.36 | U17446 | U17445 |
| UCGFS 6.6 | CABLE GLAND FRAME FOR MT. PLATE SLIDERS | 600 × 600 | 1.92 | U17448 | U17447 |
| UCGFS 6.8 | CABLE GLAND FRAME FOR MT. PLATE SLIDERS | 600 × 800 | 2.50 | U17450 | U17449 |
| UCGFS 8.6 | CABLE GLAND FRAME FOR MT. PLATE SLIDERS | 800 × 600 | 2.50 | U17452 | U17451 |
| UCGFS 8.8 | CABLE GLAND FRAME FOR MT. PLATE SLIDERS | 800 × 800 | 2.71 | U17454 | U17453 |




|    | | | <h3>GLAND PLATE FOR CABLE GLAND FRAME</h3> | | | |
|---|---------------------------|------------|--|-----------------------|-----------|--|
|    | | | | | | |
| CAT. No. | DESCRIPTION | SIZE (W×D) | WEIGHT (kg) | ORDER No. Alu-Zinc | ORDER No. | |
| UBLP 2 | CABLE GLAND PLATE | 200 × 100 | 0.16 | U17461 | U17460 | |
| UBLP 4 | CABLE GLAND PLATE | 400 × 100 | 0.32 | U17466 | U17465 | |
| UBLP 6 | CABLE GLAND PLATE | 600 × 100 | 0.48 | U17471 | U17470 | |
| UBLP 8 | CABLE GLAND PLATE | 800 × 100 | 0.64 | U17476 | U17475 | |
| UKOP 2 | KNOCK OUT PLATE | 200 × 100 | 0.16 | - | U15470 | |
| UKOP 4 | KNOCK OUT PLATE | 400 × 100 | 0.51 | - | U15480 | |
| UKOP 6 | KNOCK OUT PLATE | 600 × 100 | 0.74 | - | U15490 | |
| UKOP 8 | KNOCK OUT PLATE | 800 × 100 | 0.64 | - | U15495 | |
| UQGP 2 | QUICK GLAND PLATE | 200 × 100 | 0.17 | - | U15520 | |
| UQGP 4 | QUICK GLAND PLATE | 400 × 100 | 0.97 | - | U15530 | |
| UQGP 6 | QUICK GLAND PLATE | 600 × 100 | 1.60 | - | U15540 | |
| UQGP 8 | QUICK GLAND PLATE | 800 × 100 | 2.23 | - | U15545 | |
| UAGP 2 | ALUMINIUM GLAND PLATE 3mm | 200 × 100 | 0.11 | - | U15570 | |
| UAGP 4 | ALUMINIUM GLAND PLATE 3mm | 400 × 100 | 0.22 | - | U15580 | |
| UAGP 6 | ALUMINIUM GLAND PLATE 3mm | 600 × 100 | 0.34 | - | U15590 | |
| UAGP 8 | ALUMINIUM GLAND PLATE 3mm | 800 × 100 | 0.45 | - | U15595 | |
| UGP55 2.2 | GLAND PLATE | 200 × 200 | 0.24 | - | U16360 | |
| UGP55 2.4 | GLAND PLATE | 200 × 400 | 0.60 | - | U16365 | |
| UGP55 4.4 | GLAND PLATE | 400 × 400 | 1.41 | - | U16375 | |
| UGP55 4.6 | GLAND PLATE | 400 × 600 | 2.23 | - | U16380 | |
| UGP55 4.8 | GLAND PLATE | 400 × 800 | 3.07 | - | U16393 | |
| UGP55 6.2 | GLAND PLATE | 600 × 200 | 0.93 | - | U16382 | |
| UGP55 6.6 | GLAND PLATE | 600 × 600 | 3.57 | - | U16390 | |
| UGP55 6.8 | GLAND PLATE | 600 × 800 | 4.85 | - | U16396 | |
| UGPSL 1.4 | GLAND PLATE WITH SLIDER | 100 × 400 | 0.70 | - | U16385 | |
| UGPSL 1.6 | GLAND PLATE WITH SLIDER | 100 × 600 | 1.11 | - | U16386 | |
| UGPSL 1.8 | GLAND PLATE WITH SLIDER | 100 × 800 | 1.48 | - | U16387 | |




UMBOV2
(Pg. No. 1:45)






INCL




INTERNAL GLAND PLATE ■

| CAT. No. | DESCRIPTION | SIZE (W×H) | WEIGHT (kg) | ORDER No. <small>Aluminium 3mm RAL 7035 FTF.</small> | ORDER No. <small>Mild Steel RAL 7035 FTF.</small> |
|----------|----------------------|------------|-------------|---|--|
| UIGP 2.2 | INTERNAL GLAND PLATE | 200 × 200 | 0.64 | U13465 | U13460 |
| UIGP 2.4 | INTERNAL GLAND PLATE | 200 × 400 | 1.28 | U13475 | U13470 |
| UIGP 2.6 | INTERNAL GLAND PLATE | 200 × 600 | 2.06 | U13485 | U13480 |
| UIGP 2.8 | INTERNAL GLAND PLATE | 200 × 800 | 2.71 | U13495 | U13490 |
| UIGP 4.4 | INTERNAL GLAND PLATE | 400 × 400 | 2.99 | U13515 | U13510 |
| UIGP 4.6 | INTERNAL GLAND PLATE | 400 × 600 | 4.60 | U13525 | U13520 |
| UIGP 4.8 | INTERNAL GLAND PLATE | 400 × 800 | 6.21 | U13535 | U13530 |
| UIGP 6.6 | INTERNAL GLAND PLATE | 600 × 600 | 7.30 | U13555 | U13550 |
| UIGP 6.8 | INTERNAL GLAND PLATE | 600 × 800 | 10.42 | U13560 | U13560 |

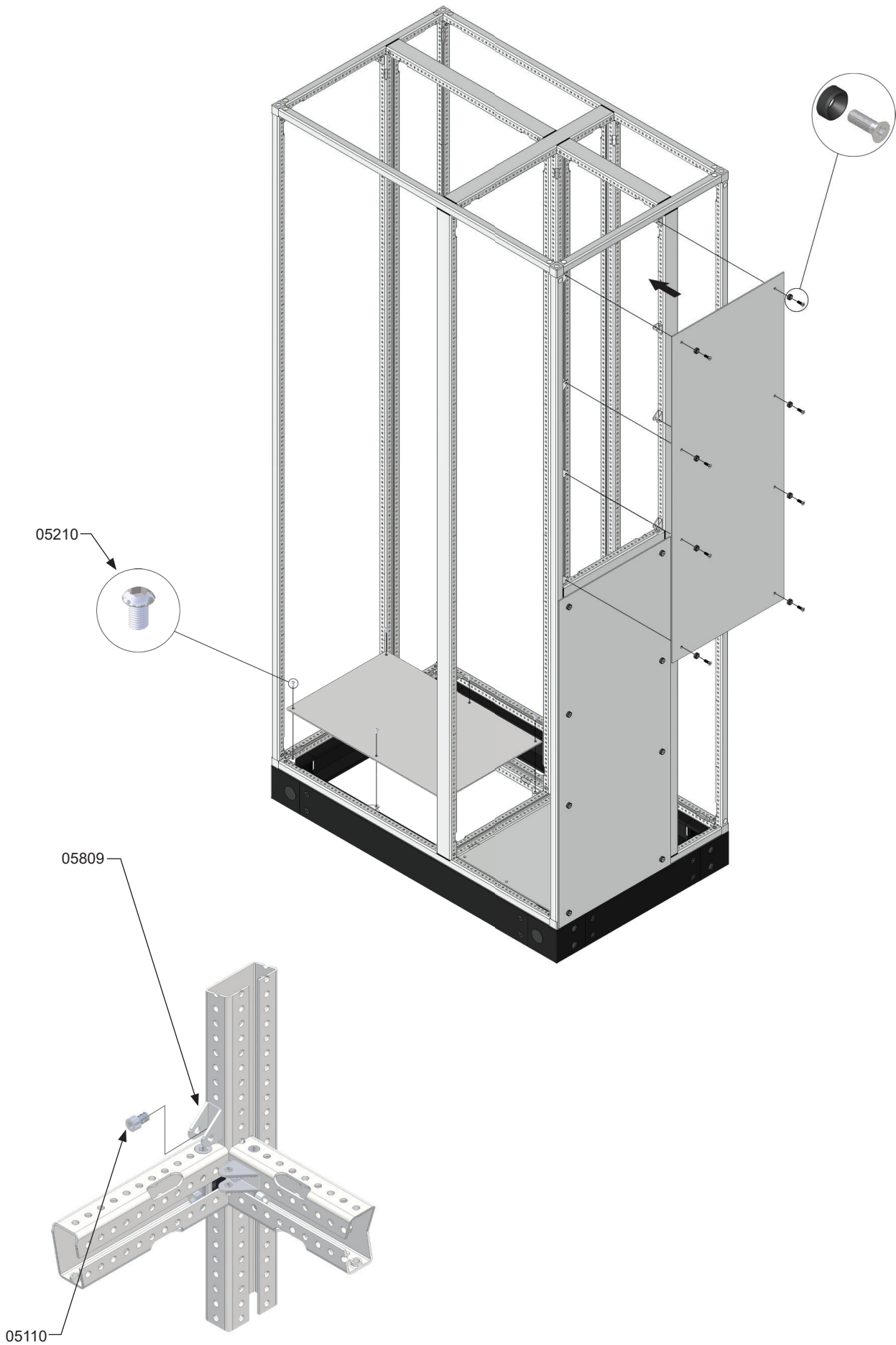


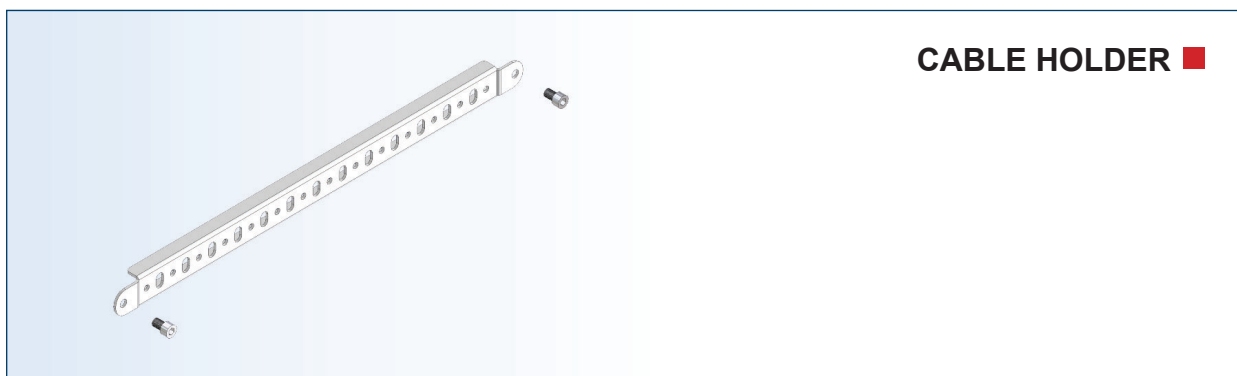
INCL



EXTERNAL GLAND PLATE ■

| CAT. No. | DESCRIPTION | SIZE (W×H) | WEIGHT (kg) | ORDER No. <small>Aluminium RAL 7035 FTF.</small> | ORDER No. <small>Mild Steel RAL 9010 SMF.</small> |
|-----------|----------------------|------------|-------------|---|--|
| UEGP 2.2 | EXTERNAL GLAND PLATE | 200 × 200 | 0.92 | U13584 | U13580 |
| UEGP 2.4 | EXTERNAL GLAND PLATE | 200 × 400 | 1.89 | U13594 | U13590 |
| UEGP 2.6 | EXTERNAL GLAND PLATE | 200 × 600 | 2.86 | U13604 | U13600 |
| UEGP 2.8 | EXTERNAL GLAND PLATE | 200 × 800 | 3.83 | U13614 | U13610 |
| UEGP 2.10 | EXTERNAL GLAND PLATE | 200 × 1000 | 4.79 | U13624 | U13620 |
| UEGP 4.4 | EXTERNAL GLAND PLATE | 400 × 400 | 3.88 | U13644 | U13640 |
| UEGP 4.6 | EXTERNAL GLAND PLATE | 400 × 600 | 5.86 | U13654 | U13650 |
| UEGP 4.8 | EXTERNAL GLAND PLATE | 400 × 800 | 7.85 | U13662 | U13660 |
| UEGP 6.6 | EXTERNAL GLAND PLATE | 600 × 600 | 8.87 | U13684 | U13680 |
| UEGP 6.8 | EXTERNAL GLAND PLATE | 600 × 800 | 11.88 | U13692 | U13690 |
| UEGP 8.8 | EXTERNAL GLAND PLATE | 800 × 800 | 15.91 | U13714 | U13710 |





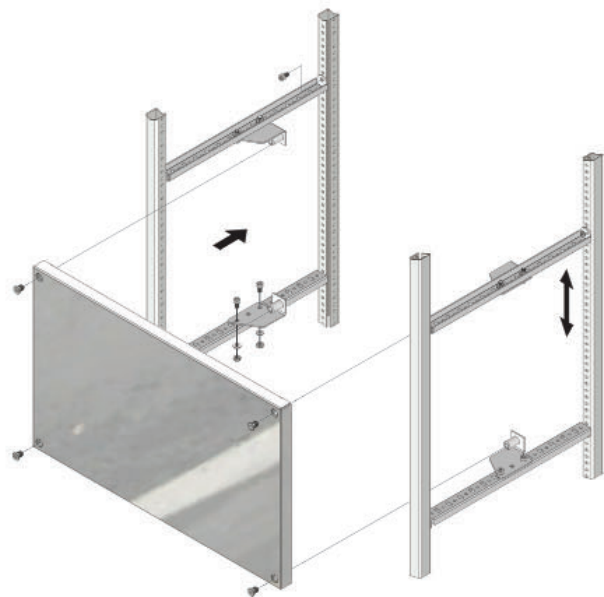
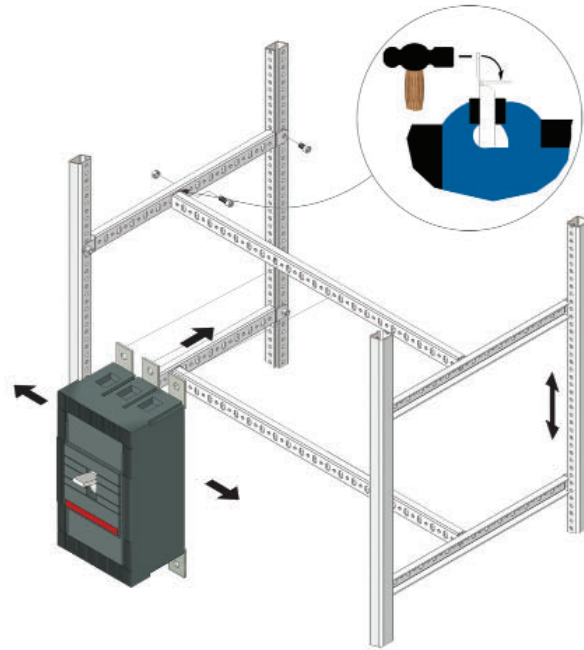
CABLE HOLDER ■

| CAT. No. | DESCRIPTION | WEIGHT (kg) | ORDER No. Alu-zinc | ORDER No. RAL 9010 SMF. |
|----------|------------------|-------------|-----------------------|----------------------------|
| UCH 2 | CABLE HOLDER 200 | 0.100 | U14312 | U14310 |
| UCH 3 | CABLE HOLDER 300 | 0.175 | U14325 | U14320 |
| UCH 4 | CABLE HOLDER 400 | 0.170 | U14335 | U14330 |
| UCH 5 | CABLE HOLDER 500 | 0.290 | U14338 | U14333 |
| UCH 6 | CABLE HOLDER 600 | 0.350 | U14345 | U14340 |
| UCH 7 | CABLE HOLDER 700 | 0.400 | U14348 | U14347 |
| UCH 8 | CABLE HOLDER 800 | 0.470 | U14355 | U14350 |

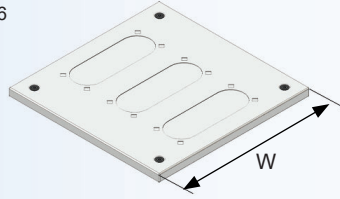


DOOR CABLE HOLDER ■

| CAT. No. | DESCRIPTION | WEIGHT (kg) | ORDER No. RAL 9010 SMF. |
|----------|------------------------|-------------|----------------------------|
| UDCH 2 | DOOR CABLE HOLDER 200 | 0.09 | U15320 |
| UDCH 3 | DOOR CABLE HOLDER 300 | 0.14 | U15330 |
| UDCH 4 | DOOR CABLE HOLDER 400 | 0.19 | U15340 |
| UDCH 6 | DOOR CABLE HOLDER 600 | 0.30 | U15350 |
| UDCH 8 | DOOR CABLE HOLDER 800 | 0.39 | U15360 |
| UDCH 10 | DOOR CABLE HOLDER 1000 | 0.49 | U15370 |



Chimney Type A or standard gland plate 216 x 86 shall be fitted

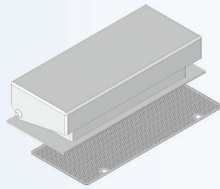


COVER ■ (FOR CHIMNEY TYPE A)

| CAT. No. | DESCRIPTION | SIZE (W×D) | No. OF GLANDS | WEIGHT (kg) | VERSION 3 ORDER No. RAL 7035 FTF. |
|----------|----------------------------|------------|---------------|-------------|-----------------------------------|
| UCCH 4.2 | COVER FOR (CHIMNEY TYPE A) | 400 × 200 | 1 | 1.31 | U14777 |
| UCCH 4.4 | COVER FOR (CHIMNEY TYPE A) | 400 × 400 | 3 | 2.50 | U14787 |
| UCCH 6.2 | COVER FOR (CHIMNEY TYPE A) | 600 × 200 | 2 | 2.92 | U14797 |
| UCCH 6.4 | COVER FOR (CHIMNEY TYPE A) | 600 × 400 | 6 | 3.51 | U14807 |

Type A

CHIMNEY TYPE A ■

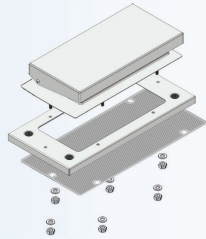


x 04 Nos.

| CAT. No. | DESCRIPTION | OPENING SIZE | WEIGHT (kg) | ORDER No. RAL 7035 FTF. |
|----------|----------------|--------------|-------------|-------------------------|
| UCHM | CHIMNEY TYPE A | 196×68 | 0.73 | U14814 |

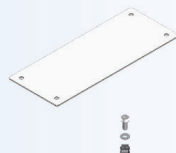
Type B

CHIMNEY TYPE B ■



| CAT. No. | DESCRIPTION | SIZE (W×D) | GLAND HOLE SIZE | WEIGHT (kg) | VERSION 3 ORDER No. RAL 7035 FTF. |
|-----------|----------------|------------|-----------------|-------------|-----------------------------------|
| UCHAB 4.2 | CHIMNEY TYPE B | 400 × 200 | 275 × 130 | 2.38 | U15027 |
| UCHAB 6.2 | CHIMNEY TYPE B | 600 × 200 | 475 × 130 | 3.00 | U15037 |

STEEL GLAND PLATE ■



x 04 Nos.

| CAT. No. | DESCRIPTION | SIZE (W×H) | WEIGHT (kg) | ORDER No. RAL 7035 FTF. |
|----------|-------------------|------------|-------------|-------------------------|
| USG 216 | STEEL GLAND PLATE | 216 × 86 | 0.22 | U14724 |






ARC FILTER SEPARATION PLATE

x 04 Nos.

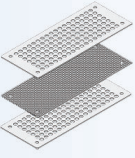
| CAT. No. | DESCRIPTION | SIZE | WEIGHT (kg) | ORDER No. <small>Alu Zinc</small> | ORDER No. <small>Mild Steel RAL 9010 SMF.</small> |
|-----------|-----------------------------|---------|-------------|--------------------------------------|--|
| UAFSP 4.4 | ARC FILTER SEPARATION PLATE | 400×400 | 1.36 | U16558 | U16550 |
| UAFSP 4.6 | ARC FILTER SEPARATION PLATE | 400×600 | 2.06 | U16559 | U16551 |
| UAFSP 4.8 | ARC FILTER SEPARATION PLATE | 400×800 | 2.79 | U16560 | U16552 |



ARC FAULT BARRIER PLATE

INCL

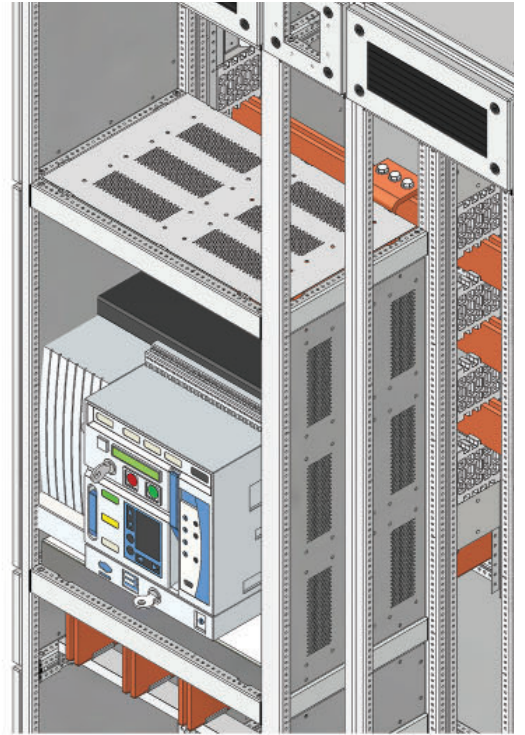
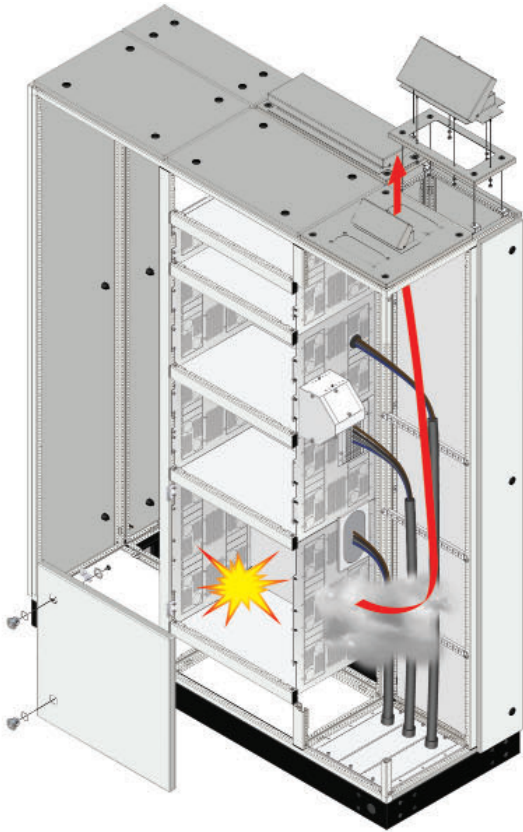
| CAT. No. | DESCRIPTION | SIZE (W×D) | WEIGHT (kg) | ORDER No. <small>Alu Zinc</small> |
|------------|-------------------------|---------------|-------------|--------------------------------------|
| UAFBPL 2.2 | ARC FAULT BARRIER PLATE | 200 x 200 | 0.46 | U33035 |
| UAFBPL 2.4 | ARC FAULT BARRIER PLATE | 200 x 400 | 0.95 | U33036 |
| UAFBPL 2.6 | ARC FAULT BARRIER PLATE | 200 x 600 | 1.44 | U33037 |
| UAFBPL 2.8 | ARC FAULT BARRIER PLATE | 200 x 800 | 1.48 | U33038 |
| UAFBPL 4.4 | ARC FAULT BARRIER PLATE | 400 x 400 | 2.05 | U33039 |
| UAFBPL 4.6 | ARC FAULT BARRIER PLATE | 400 x 600 | 3.09 | U33040 |
| UAFBPL 4.8 | ARC FAULT BARRIER PLATE | 400 x 800 | 4.23 | U33041 |
| UAFBPL 6.6 | ARC FAULT BARRIER PLATE | 600 x 600 | 4.70 | U33042 |
| UAFBPL 6.8 | ARC FAULT BARRIER PLATE | 600 x 800 | 6.40 | U33043 |



ARC FILTER

x 04 Nos.

| CAT. No. | DESCRIPTION | SIZE | WEIGHT (kg) | ORDER No. <small>RAL 9010 SMF.</small> |
|----------|-------------|--------|-------------|---|
| UAF216 | ARC FILTER | 216×86 | 0.21 | U14890 |



* Arc Fault barrier plates must be fitted as well as external cover plates.




LIFTING EYES ■

| CAT. No. | DESCRIPTION | MAX. LOAD (kg) | WEIGHT (kg) | ORDER No. <small>Zinc plated</small> |
|----------|--------------|----------------|-------------|---|
| ULE 2 | LIFTING EYES | 1400 | 2.18 | U14390 |



**LIFTING EYES ■
(FOR FLAT COVER)**

| CAT. No. | DESCRIPTION | MAX. LOAD (kg) | WEIGHT (kg) | ORDER No. <small>Zinc plated</small> |
|----------|--------------|----------------|-------------|---|
| ULE 3 | LIFTING EYES | 1400 | 2.00 | U14400 |

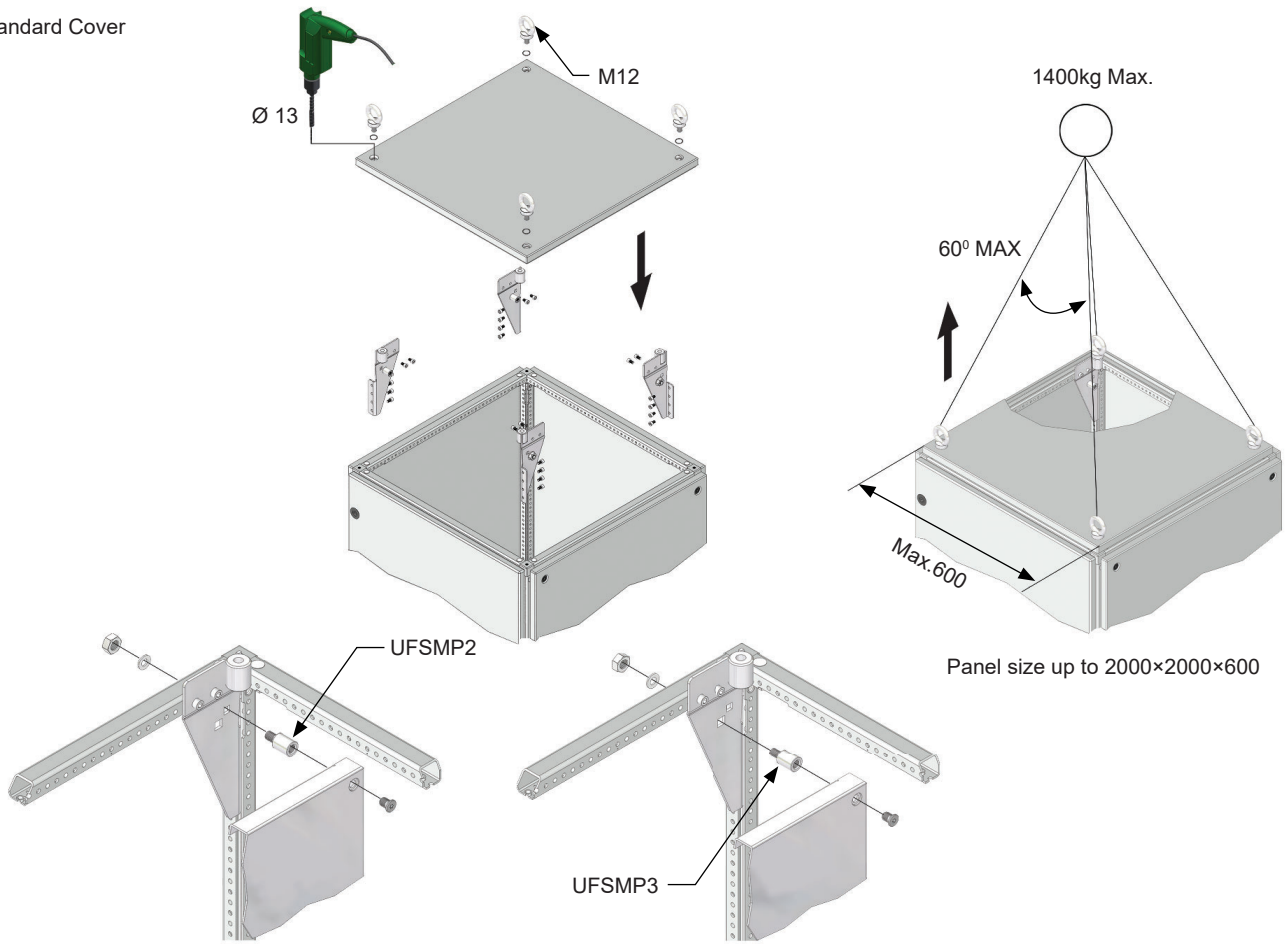


**FIXING STUDS ■
(FOR MOUNTING PLATE V2)**

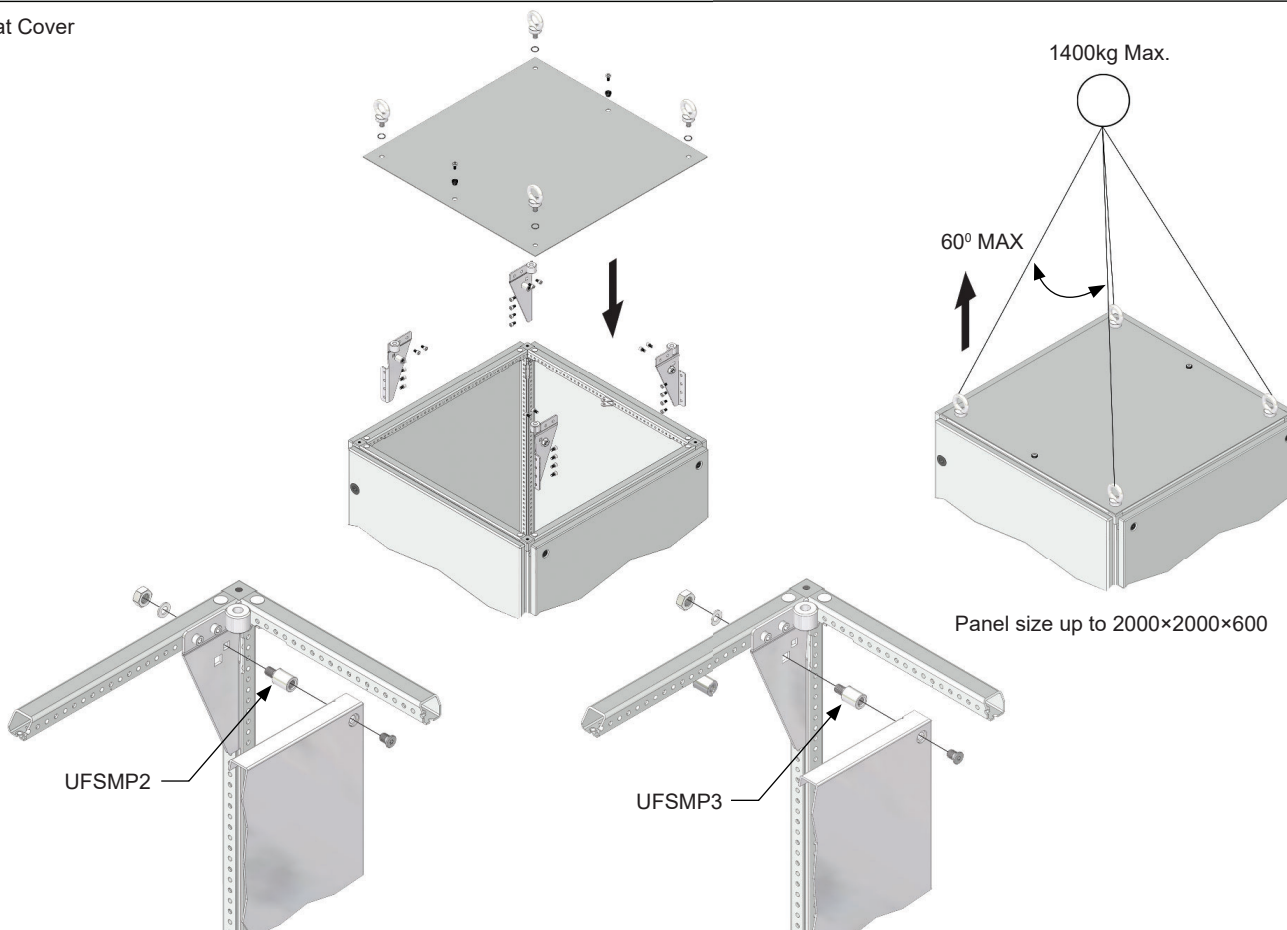
| CAT. No. | DESCRIPTION | WEIGHT (kg) | ORDER No. <small>Zinc plated</small> |
|----------|--------------|-------------|---|
| UFSMP 2 | FIXING STUDS | 0.084 | U14395 |
| UFSMP 3 | FIXING STUDS | 0.092 | U14396 |

To be used when fitting a V2 mounting plate in a top section containing lifting eye brackets.

Standard Cover

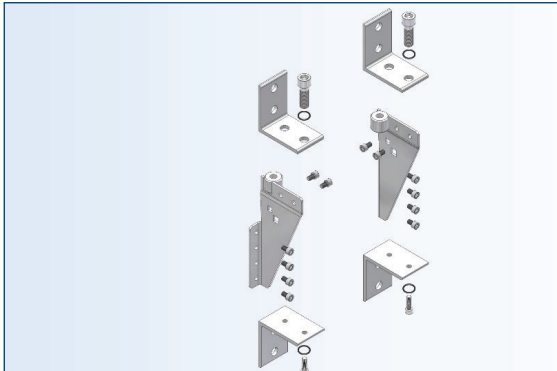


Flat Cover



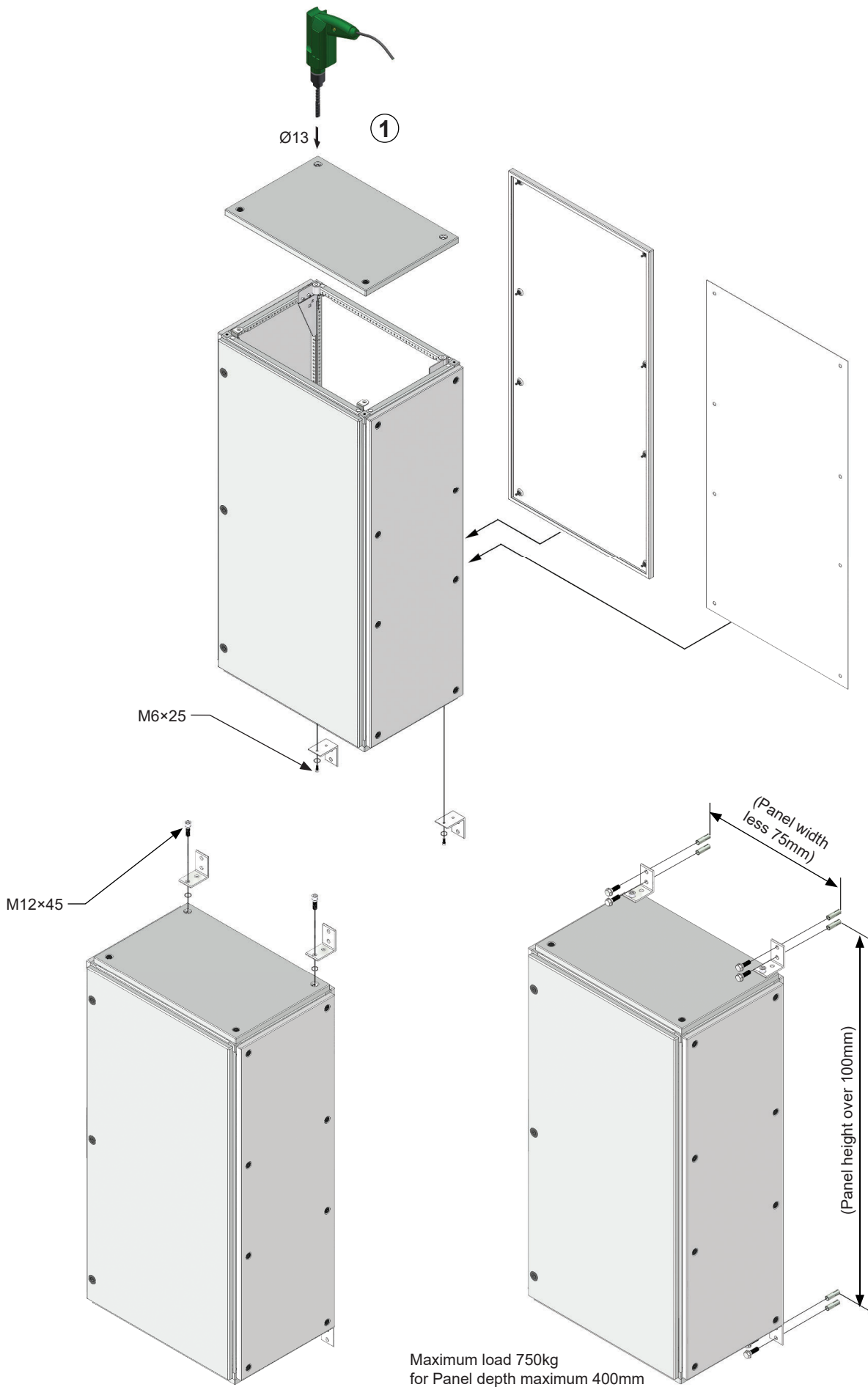
1

TECHNO MODULE

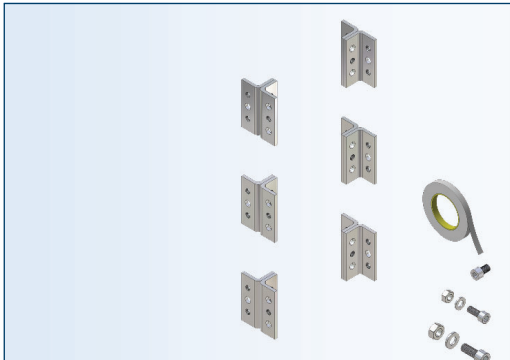


TM WALL MOUNTING BRACKETS ■

| CAT. No. | DESCRIPTION | WEIGHT (kg) | ORDER No. Zinc plated |
|----------|---------------------------|-------------|--------------------------|
| UTMWMB | TM WALL MOUNTING BRACKETS | 2.14 | U14420 |



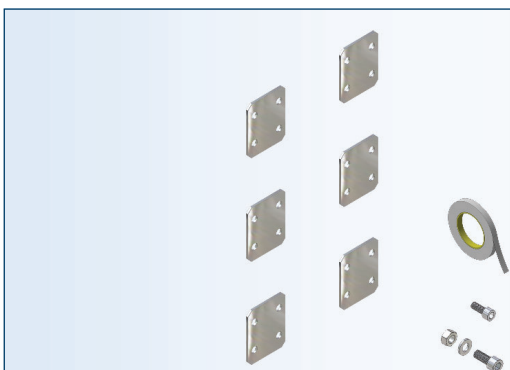
PANEL ASSEMBLY KIT ■



6M
 ×24 Nos.
 ×6 Nos.
 ×4 Nos.

| CAT. No. | DESCRIPTION | WEIGHT (kg) | ORDER No. Zinc plated |
|----------|--------------------|-------------|--------------------------|
| UBRS 50 | PANEL ASSEMBLY KIT | 0.73 | U14280 |

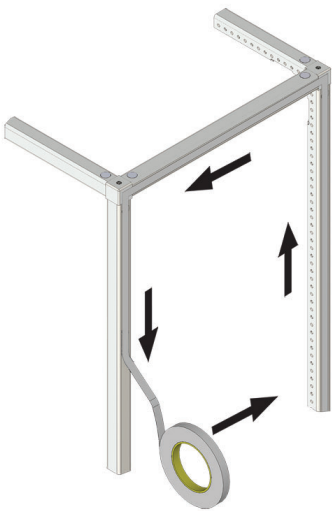
PANEL ASSEMBLY KIT ■



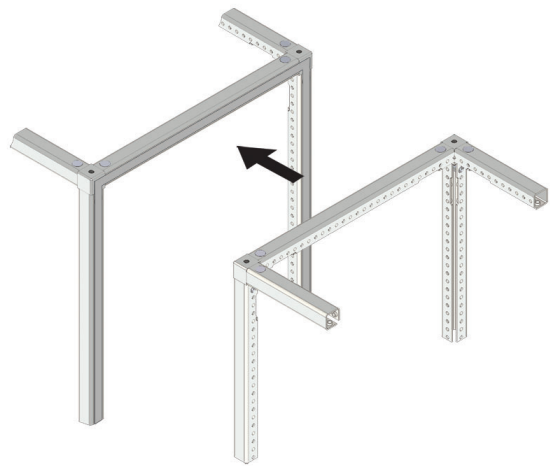
6M
 ×24 Nos.
 ×4 Nos.

| CAT. No. | DESCRIPTION | WEIGHT (kg) | ORDER No. Zinc plated |
|----------|--------------------|-------------|--------------------------|
| UPAK | PANEL ASSEMBLY KIT | 0.36 | U14293 |

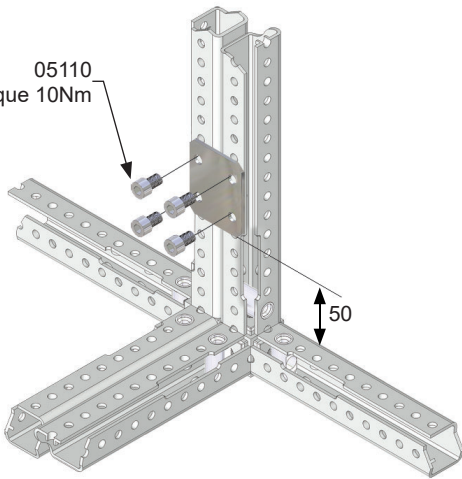
①



②



05110
Torque 10Nm

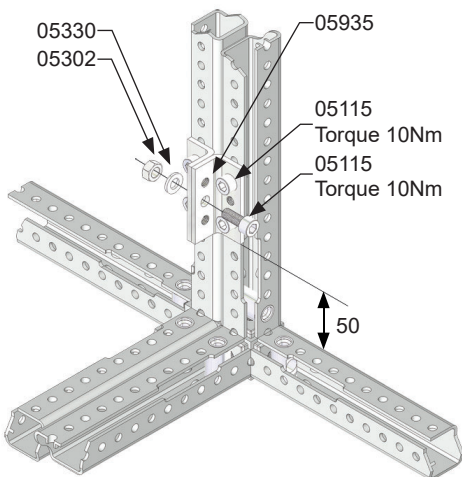


05330
05302

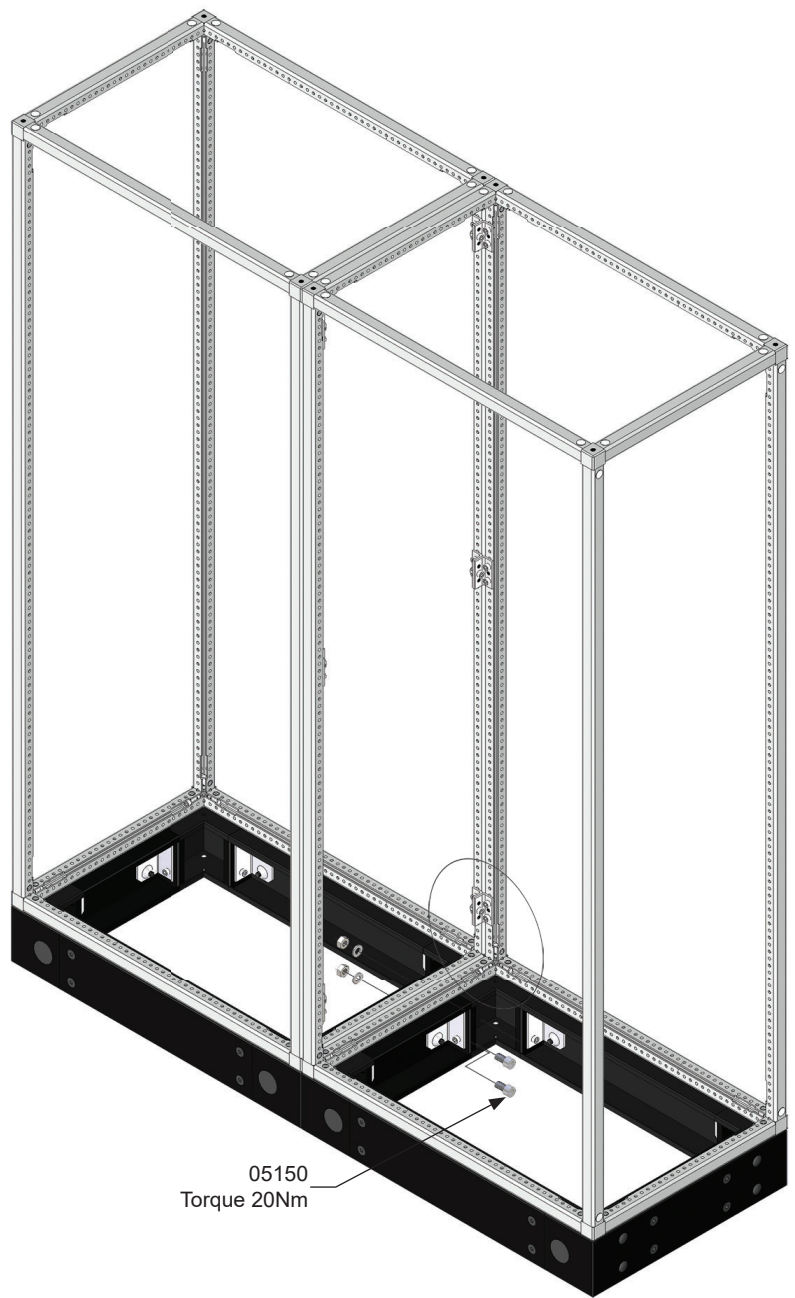
05935

05115
Torque 10Nm

05115
Torque 10Nm



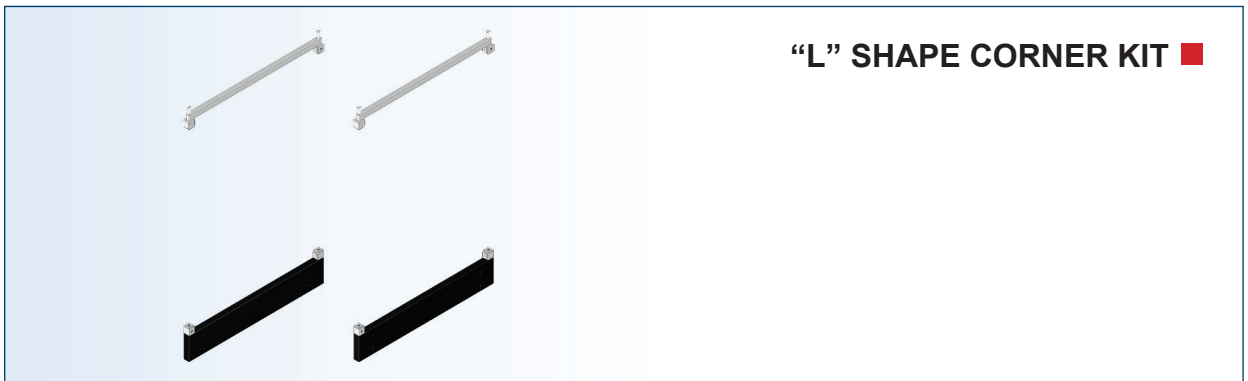
05150
Torque 20Nm



* BRS 50 Panel assembly kit cannot be used with rear MAB main busbar system.

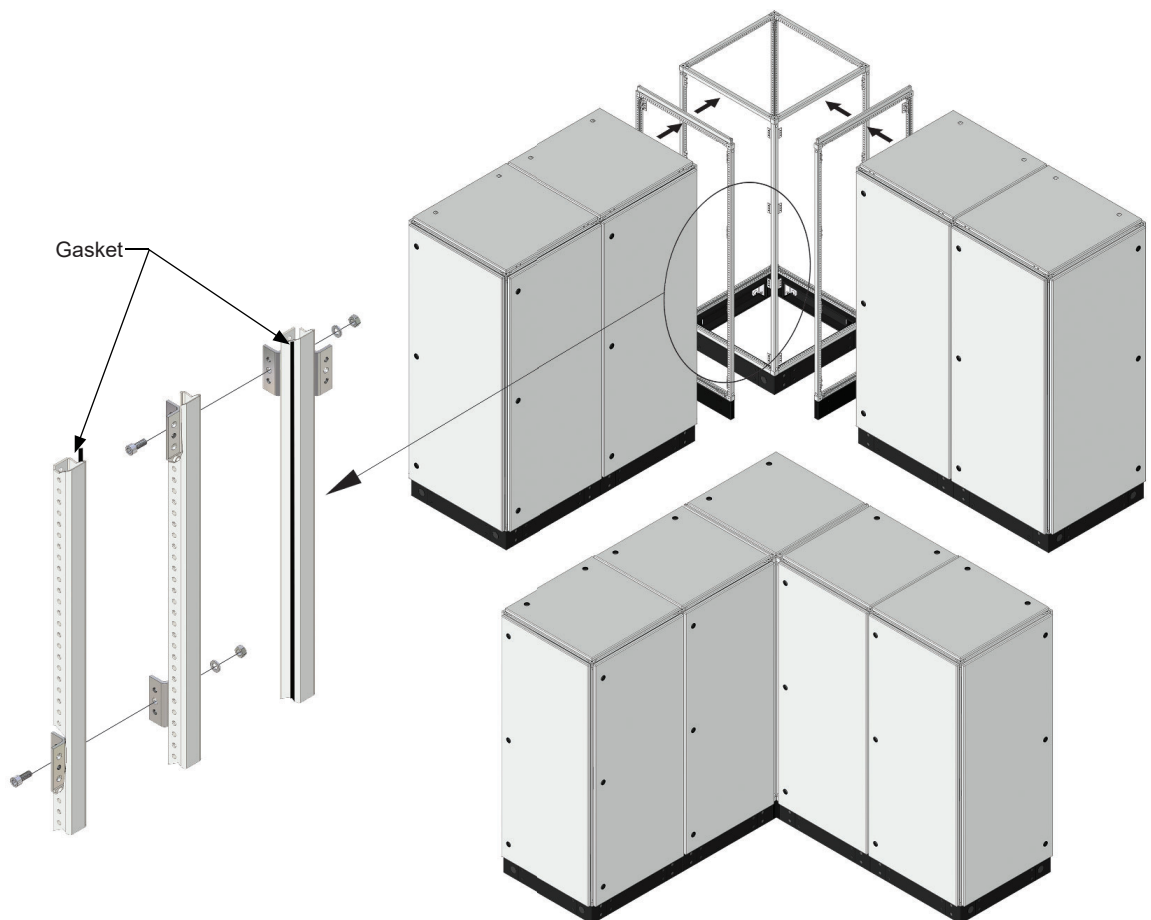
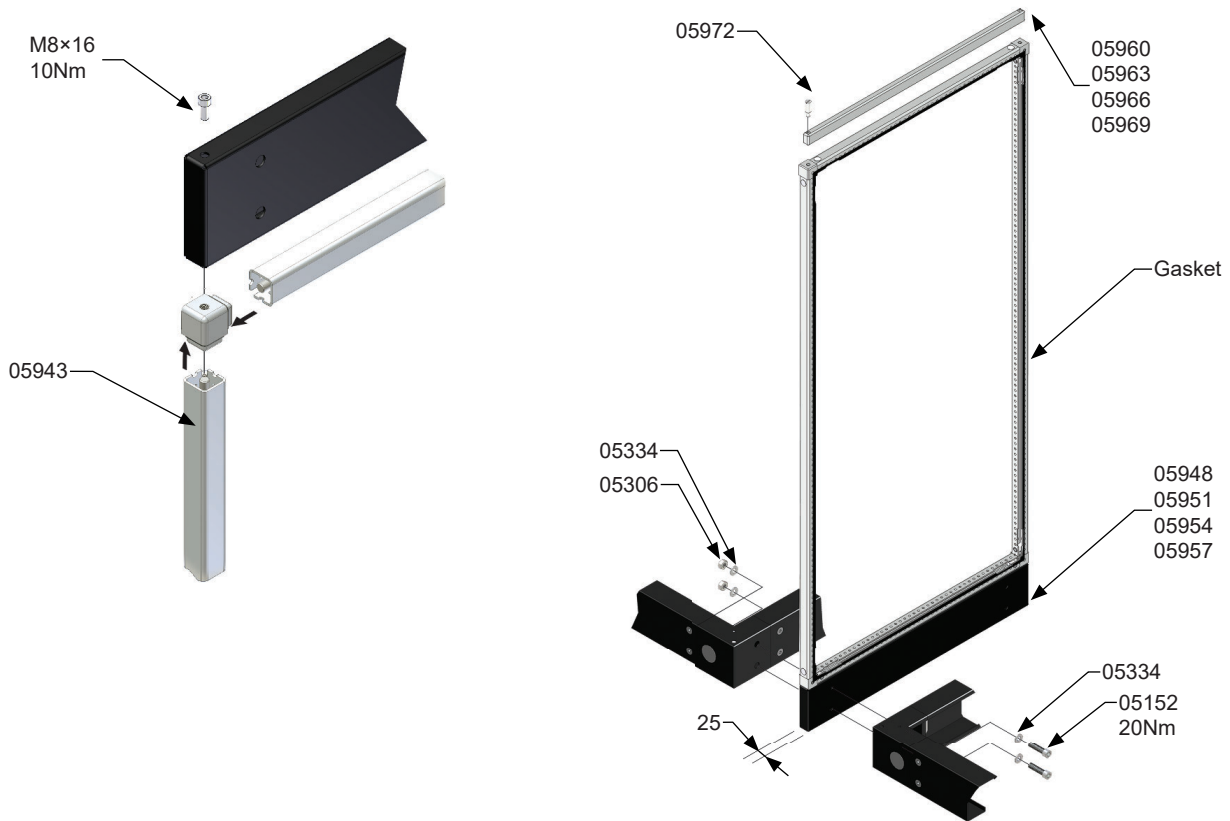
1

TECHNO MODULE

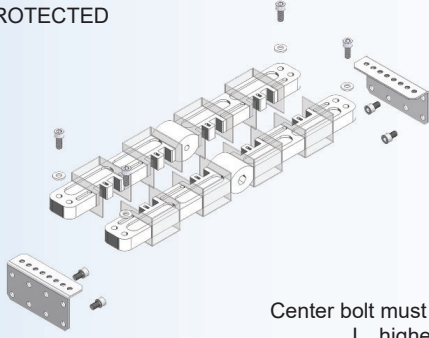


“L” SHAPE CORNER KIT ■

| CAT. No. | DESCRIPTION | PANEL DEPTH | WEIGHT (kg) | ORDER No. RAL 7035 FTF. |
|----------|--------------------------|-------------|-------------|----------------------------|
| ULSK 2 | “L” SHAPE CORNER KIT 200 | 200 | 3.38 | U14674 |
| ULSK 4 | “L” SHAPE CORNER KIT 400 | 400 | 7.36 | U14684 |
| ULSK 6 | “L” SHAPE CORNER KIT 600 | 600 | 5.87 | U14694 |
| ULSK 8 | “L” SHAPE CORNER KIT 800 | 800 | 7.50 | U14704 |



DESIGN PROTECTED



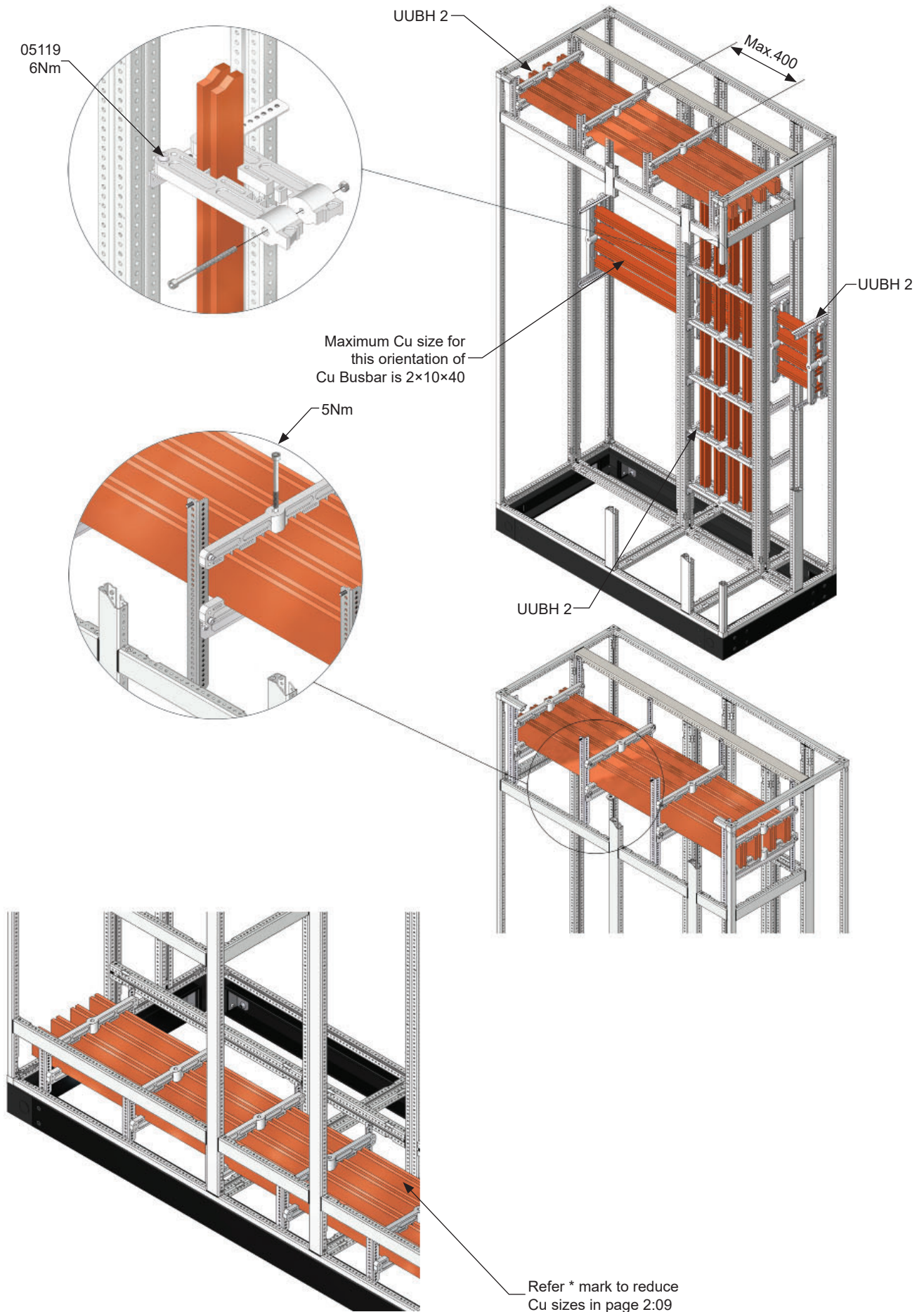
UNIVERSAL BUSBAR HOLDER ■

Center bolt must be used for I_{cw} higher than 50kA

| CAT. No. | DESCRIPTION | RAIL LENGTH | MAX. Cu SIZE | CONDUCTORS PER PHASE | PHASE CENTERS | WEIGHT (kg) | ORDER No. |
|----------|-------------------------|-------------|--------------|----------------------|---------------|-------------|-----------|
| UUBH 1 | UNIVERSAL BUSBAR HOLDER | 90 | 10×40 | 2 | 75 | 0.59 | U20550 |



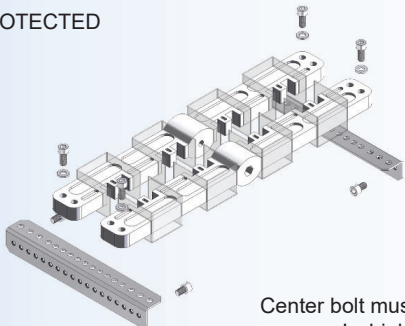
BUSBAR SYSTEMS





DESIGN PROTECTED


UNIVERSAL BUSBAR HOLDER ■



Center bolt must be used for
 I_{cw} higher than 50kA

| CAT. No. | DESCRIPTION | RAIL LENGTH | MAX. Cu SIZE | CONDUCTORS PER PHASE | PHASE CENTERS | WEIGHT (kg) | ORDER No. |
|----------|-------------------------|-------------|--------------|----------------------|---------------|-------------|-----------|
| UUBH 2 | UNIVERSAL BUSBAR HOLDER | 190 | 10×100 | 2 | 75 | 0.65 | U20560 |
| UUBH 3 | UNIVERSAL BUSBAR HOLDER | 390 | 10×100 | 2 | 75 | 0.90 | U20563 |

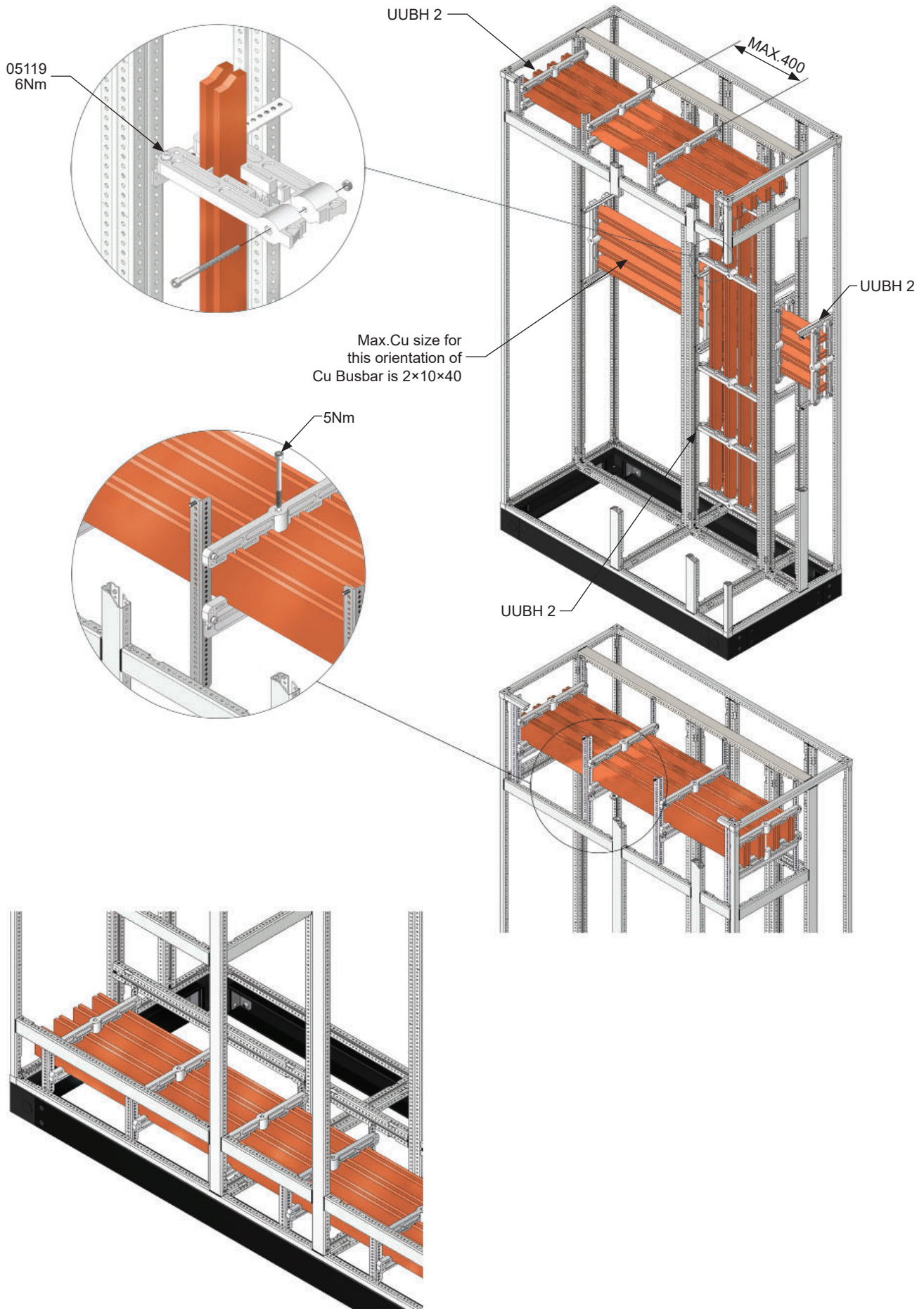
CENTER BOLT ■



Self Locking Nut

Q = 8.8

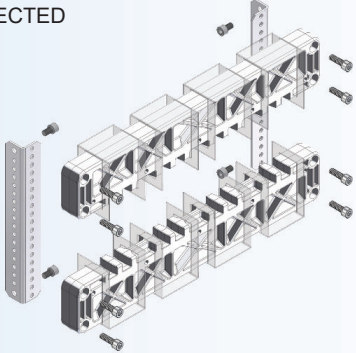
| CAT. No. | DESCRIPTION | Cu SIZE | WEIGHT (kg) | ORDER No. |
|----------|--------------------|---------|-------------|-----------|
| UCLSC 5 | CENTER BOLT M6×80 | 10×50 | 0.21 | U20240 |
| UCLSC 6 | CENTER BOLT M6×90 | 10×60 | 0.24 | U20242 |
| UCLSC 8 | CENTER BOLT M6×110 | 10×80 | 0.28 | U20244 |
| UCLSC 10 | CENTER BOLT M6×130 | 10×100 | 0.31 | U20246 |





BUSBAR SYSTEMS

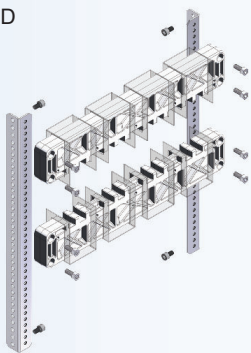
DESIGN PROTECTED



OMNI BUSBAR HOLDER 400 ■

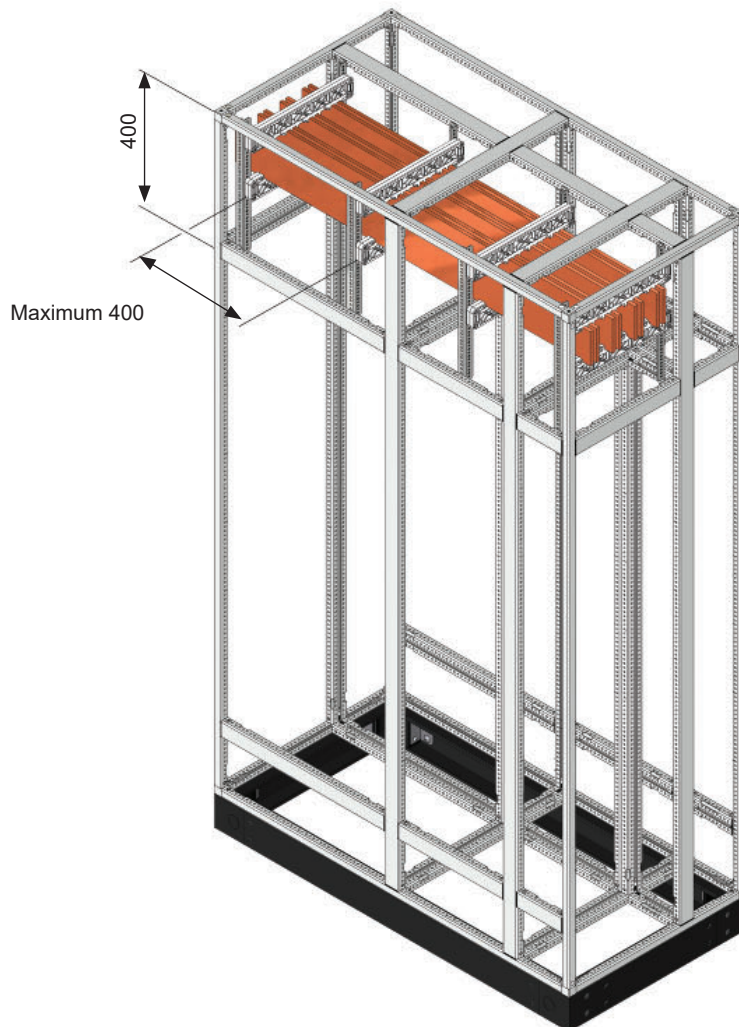
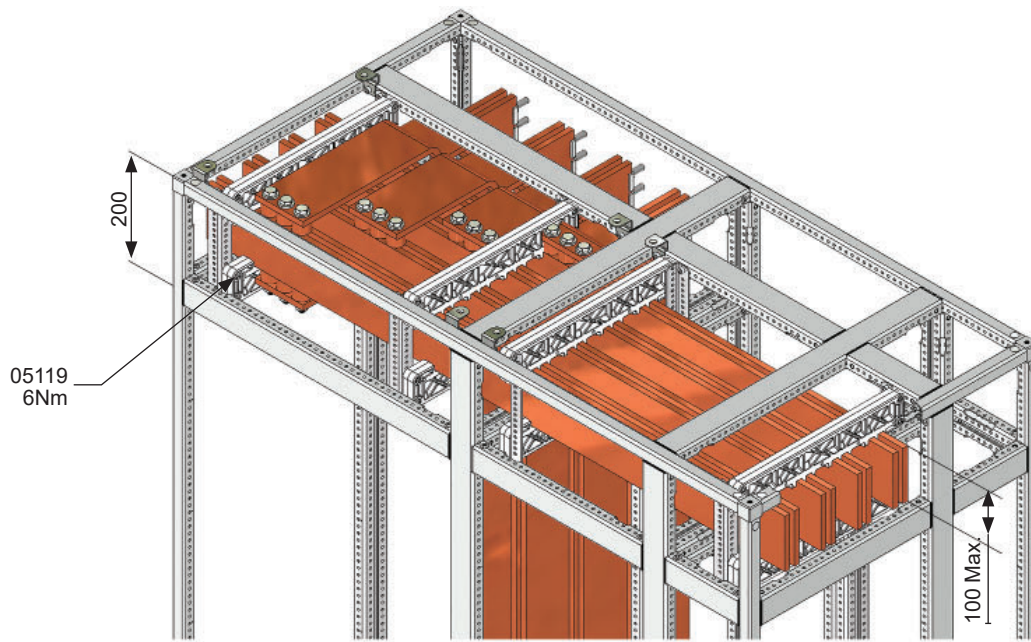
| CAT. No. | DESCRIPTION | RAIL LENGTH | MAX. Cu SIZE | CONDUCTORS PER PHASE | PHASE CENTERS | WEIGHT (kg) | ORDER No. |
|----------|------------------------|-------------|--------------|----------------------|---------------|-------------|-----------|
| UOMH 4-1 | OMNI BUSBAR HOLDER 400 | 190 | 10×100 | 2 | 75 | 1.28 | U21520 |

DESIGN PROTECTED



OMNI BUSBAR HOLDER 400 ■

| CAT. No. | DESCRIPTION | RAIL LENGTH | MAX. Cu SIZE | CONDUCTORS PER PHASE | PHASE CENTERS | WEIGHT (kg) | ORDER No. |
|----------|------------------------|-------------|--------------|----------------------|---------------|-------------|-----------|
| UOMH 4-2 | OMNI BUSBAR HOLDER 400 | 390 | 10×100 | 2 | 75 | 1.54 | U21521 |





DESIGN PROTECTED

OMNI BUSBAR HOLDER 600 ■

Center bolt must be used for
 $I_{cw} = 50kA$ and higher

| CAT. No. | DESCRIPTION | RAIL LENGTH | MAX. Cu SIZE | CONDUCTORS PER PHASE | PHASE CENTERS | WEIGHT (kg) | ORDER No. |
|----------|------------------------|-------------|--------------|----------------------|---------------|-------------|-----------|
| UOMH 6-1 | OMNI BUSBAR HOLDER 600 | 190 | 10×100 | 3 | 140 | 2.12 | U21525 |

DESIGN PROTECTED

OMNI BUSBAR HOLDER 600 ■

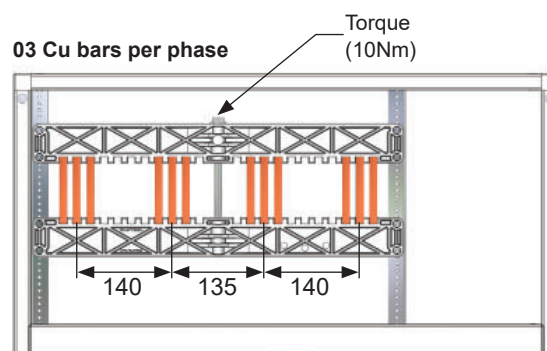
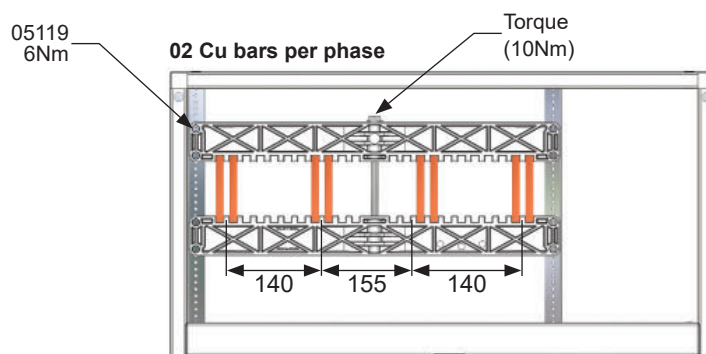
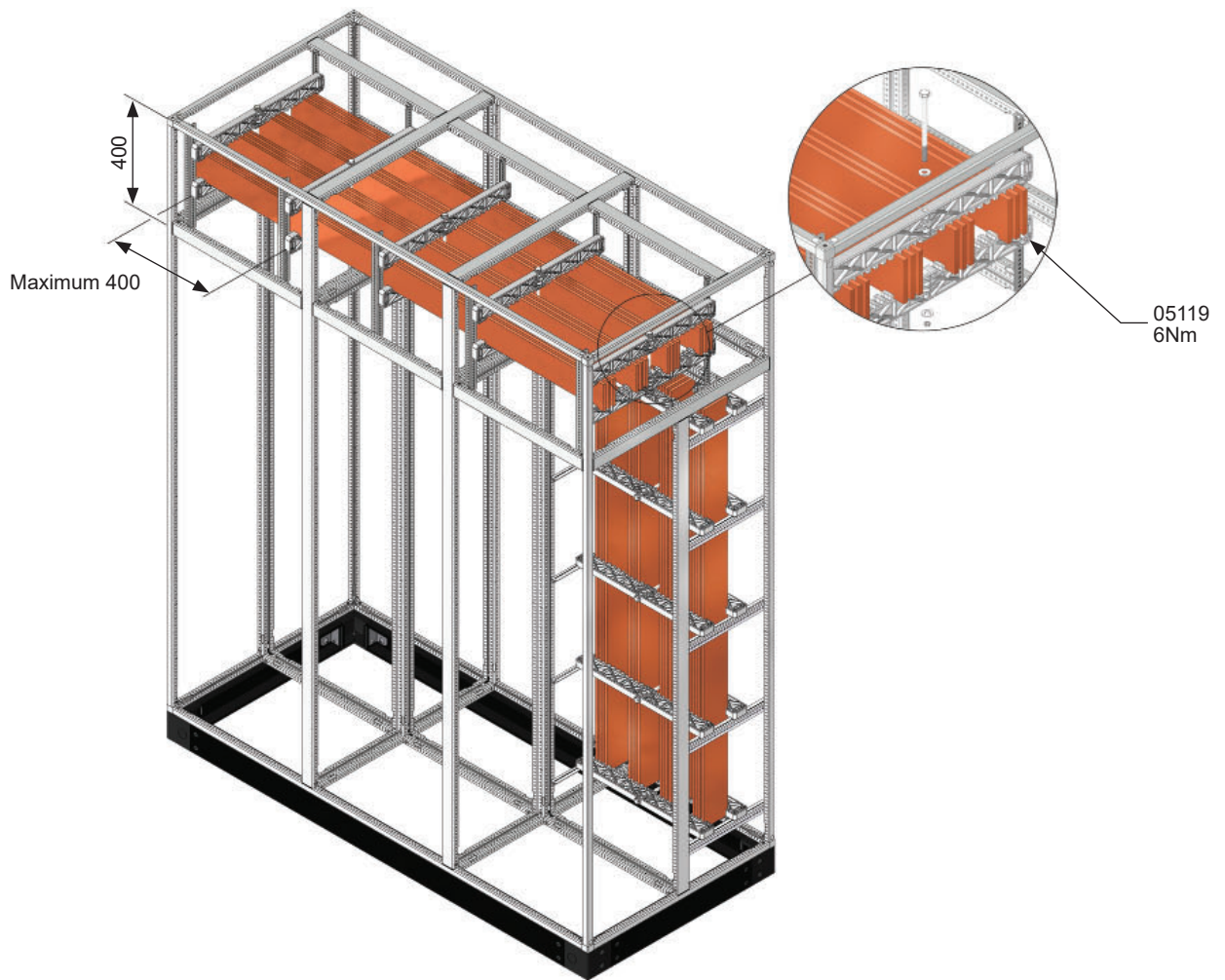
Center bolt must be used for
 $I_{cw} = 50kA$ and higher

| CAT. No. | DESCRIPTION | RAIL LENGTH | MAX. Cu SIZE | CONDUCTORS PER PHASE | PHASE CENTERS | WEIGHT (kg) | ORDER No. |
|----------|------------------------|-------------|--------------|----------------------|---------------|-------------|-----------|
| UOMH 6-2 | OMNI BUSBAR HOLDER 600 | 390 | 10×100 | 3 | 140 | 2.38 | U21526 |

CENTER BOLT ■

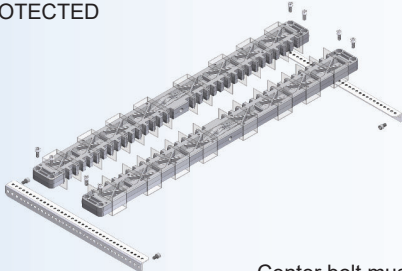
×10 Nos.

| CAT. No. | DESCRIPTION | Cu SIZE | WEIGHT (kg) | ORDER No. |
|----------|---------------------|---------|-------------|-----------|
| UCBOL 18 | CENTER BOLT M10×180 | 10×60 | 0.12 | U20253 |
| UCBOL 20 | CENTER BOLT M10×200 | 10×80 | 0.14 | U20254 |
| UCBOL 22 | CENTER BOLT M10×220 | 10×100 | 0.16 | U20255 |





DESIGN PROTECTED

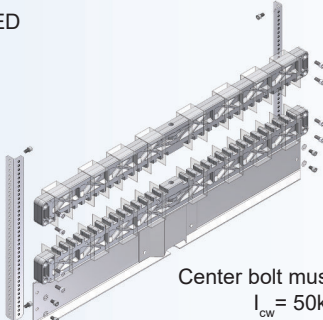


OMNI BUSBAR HOLDER 800 ■

Center bolt must be used for
 $I_{cw} = 50\text{kA}$ and higher

| CAT. No. | DESCRIPTION | RAIL LENGTH | MAX. Cu SIZE | CONDUCTORS PER PHASE | PHASE CENTERS | WEIGHT (kg) | ORDER No. |
|----------|------------------------|-------------|--------------|----------------------|---------------|-------------|-----------|
| UOMH 8-1 | OMNI BUSBAR HOLDER 800 | 190 | 10×100 | 4 | 80 | 2.75 | U21530 |
| UOMH 8-2 | OMNI BUSBAR HOLDER 800 | 390 | 10×100 | 4 | 80 | 3.05 | U21531 |

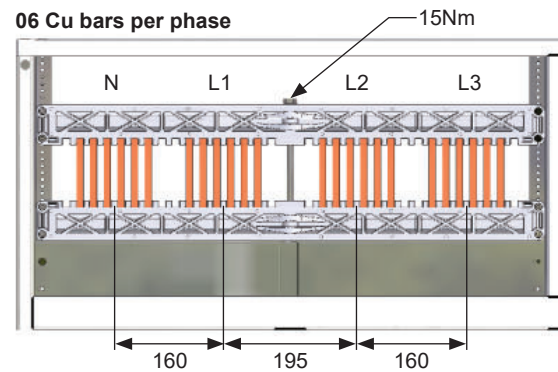
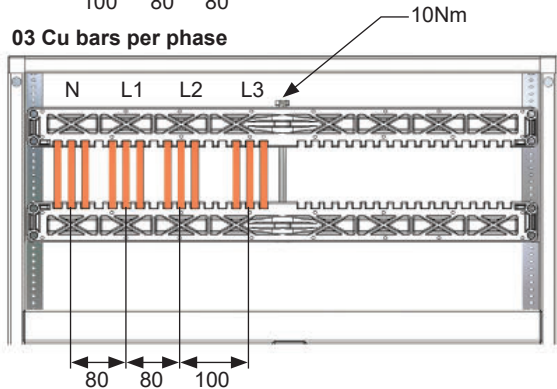
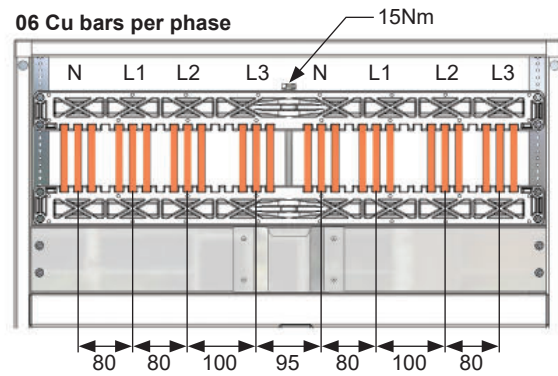
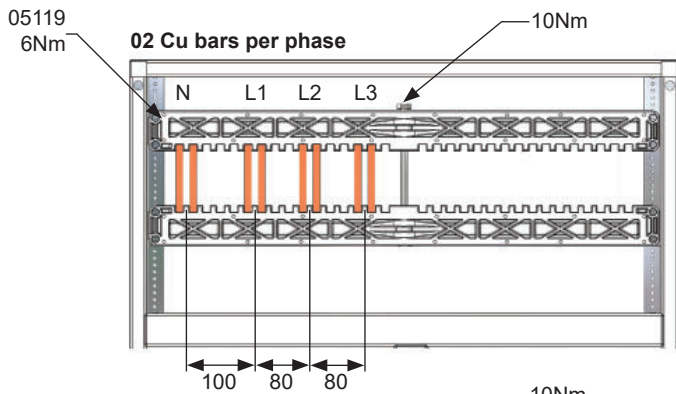
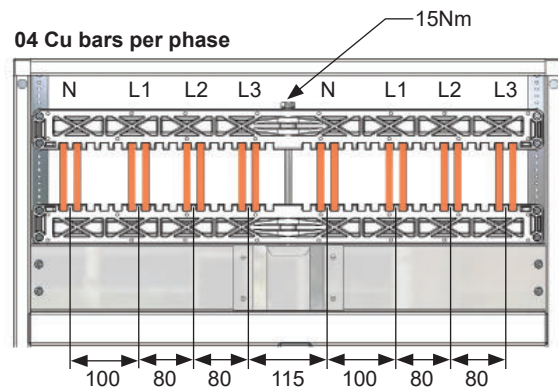
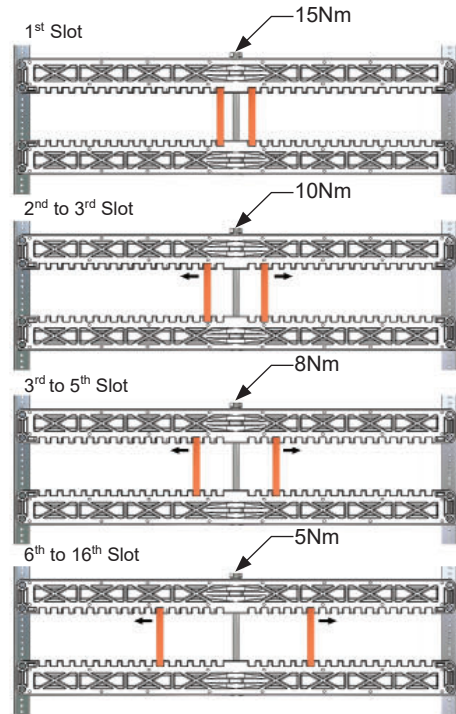
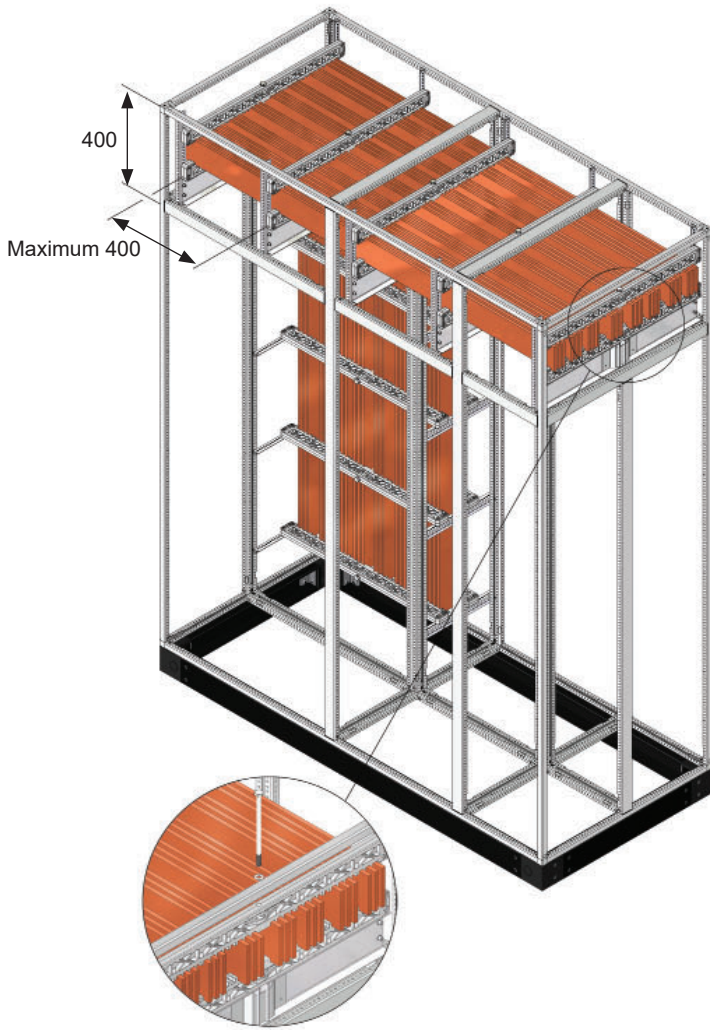
DESIGN PROTECTED

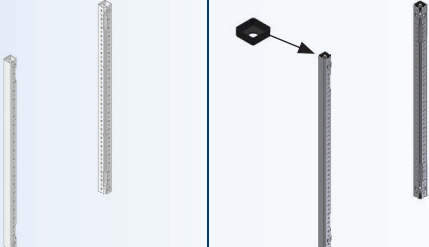


OMNI BUSBAR HOLDER 800 ■

Center bolt must be used for
 $I_{cw} = 50\text{kA}$ and higher

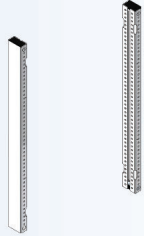
| CAT. No. | DESCRIPTION | RAIL LENGTH | MAX. Cu SIZE | CONDUCTORS PER PHASE | PHASE CENTERS | WEIGHT (kg) | ORDER No. |
|----------|------------------------|-------------|--------------|----------------------|---------------|-------------|-----------|
| UOMH 8-3 | OMNI BUSBAR HOLDER 800 | 390 | 10×100 | 6 | 80 | 4.85 | U21532 |





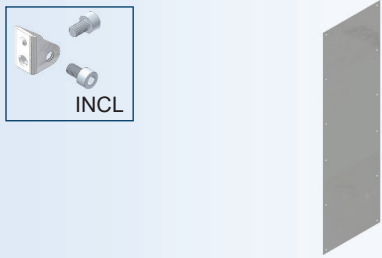
STAINLESS STEEL CORNER BARS ■

| TYPE | DESCRIPTION | LENGTH | WEIGHT (kg) | ORDER No. AISI 304 RAL 7035 FTF. | VERSION 2 ORDER No. AISI 304 RAL 7035 FTF. |
|---------|-----------------------------|--------|-------------|--|---|
| USCB 18 | STAINLESS STEEL CORNER BARS | 1800 | 6.80 | U20122 | U20110 |
| USCB 20 | STAINLESS STEEL CORNER BARS | 2000 | 7.40 | U20125 | U20112 |
| USCB 22 | STAINLESS STEEL CORNER BARS | 2200 | 8.30 | U20128 | U20114 |



STAINLESS STEEL CROSS BARS ■

| CAT. No. | DESCRIPTION | LENGTH | WEIGHT (kg) | ORDER No. AISI 304 RAL 7035 SMF. |
|----------|----------------------------|--------|-------------|--|
| USCBS 18 | STAINLESS STEEL CROSS BARS | 1800 | 5.20 | U20108 |
| USCBS 20 | STAINLESS STEEL CROSS BARS | 2000 | 5.82 | U20105 |
| USCBS 22 | STAINLESS STEEL CROSS BARS | 2200 | 6.40 | U20109 |

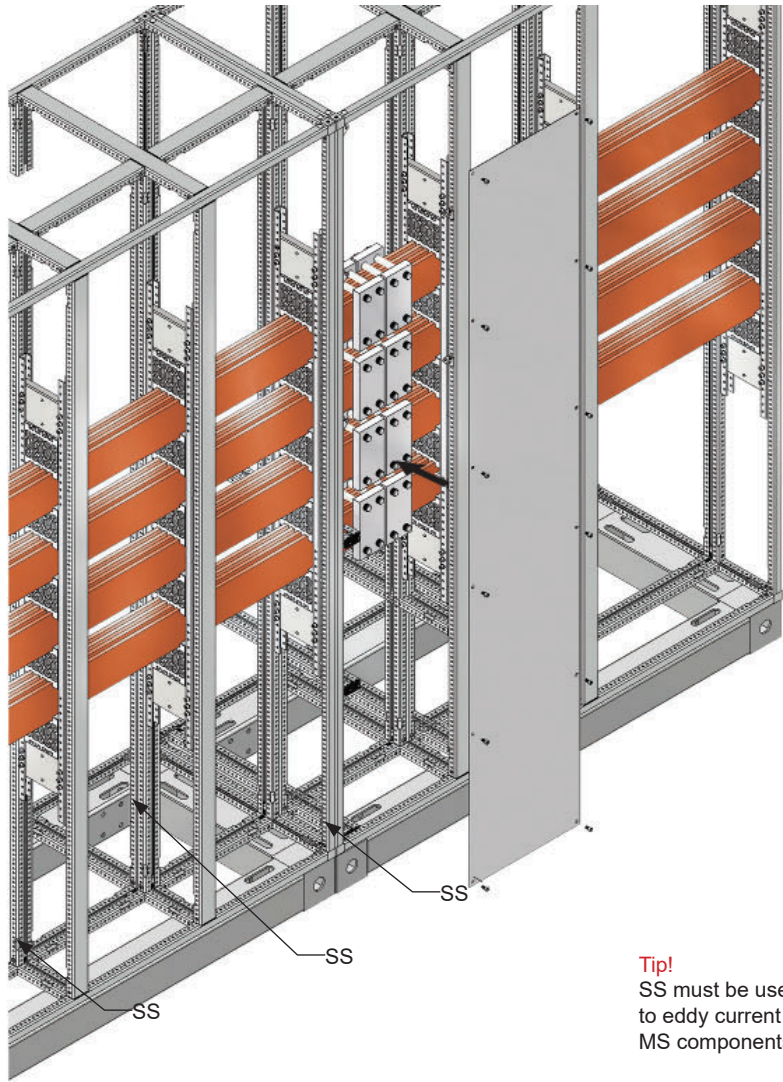
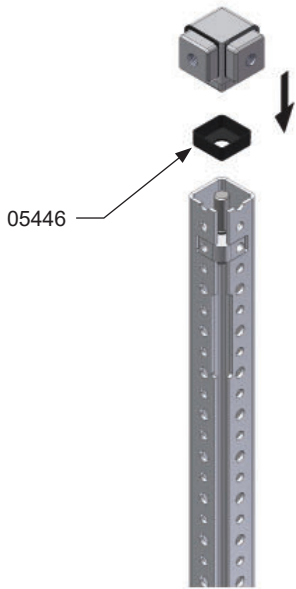


INCL

STAINLESS STEEL FLAT COVER ■

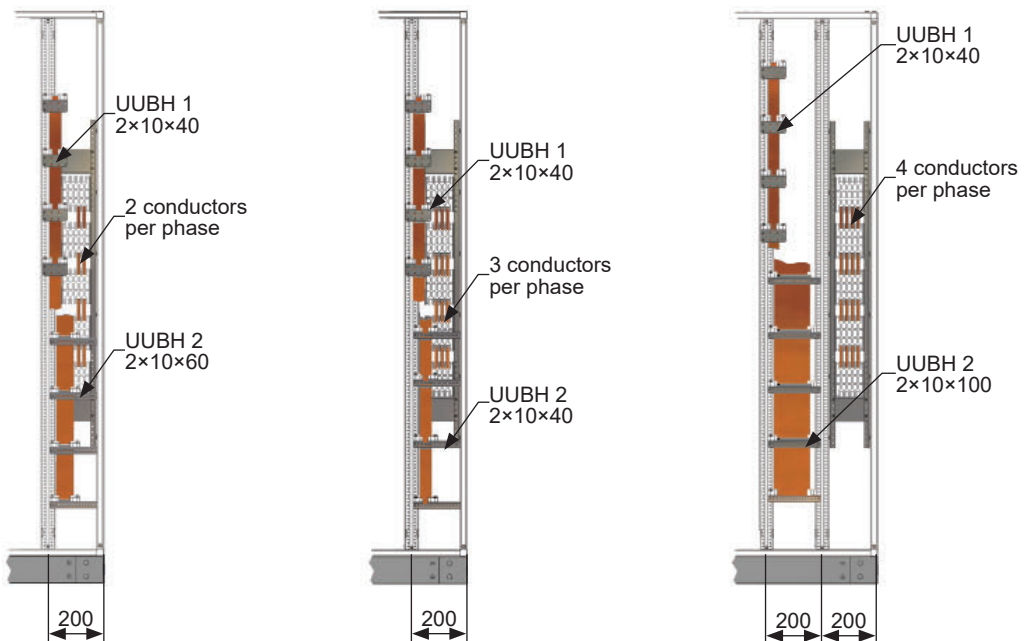
| CAT. No. | DESCRIPTION | SIZE (W×H) | WEIGHT (kg) | ORDER No. AISI 304 RAL 7035 SMF. |
|-----------|----------------------------|------------|-------------|--|
| USFP 4.18 | STAINLESS STEEL FLAT COVER | 400 × 1800 | 9.1 | U20141 |
| USFP 4.20 | STAINLESS STEEL FLAT COVER | 400 × 2000 | 10.1 | U20144 |
| USFP 4.22 | STAINLESS STEEL FLAT COVER | 400 × 2200 | 11.1 | U20147 |
| USFP 6.18 | STAINLESS STEEL FLAT COVER | 600 × 1800 | 13.7 | U20161 |
| USFP 6.20 | STAINLESS STEEL FLAT COVER | 600 × 2000 | 15.3 | U20164 |
| USFP 6.22 | STAINLESS STEEL FLAT COVER | 600 × 2200 | 16.8 | U20167 |

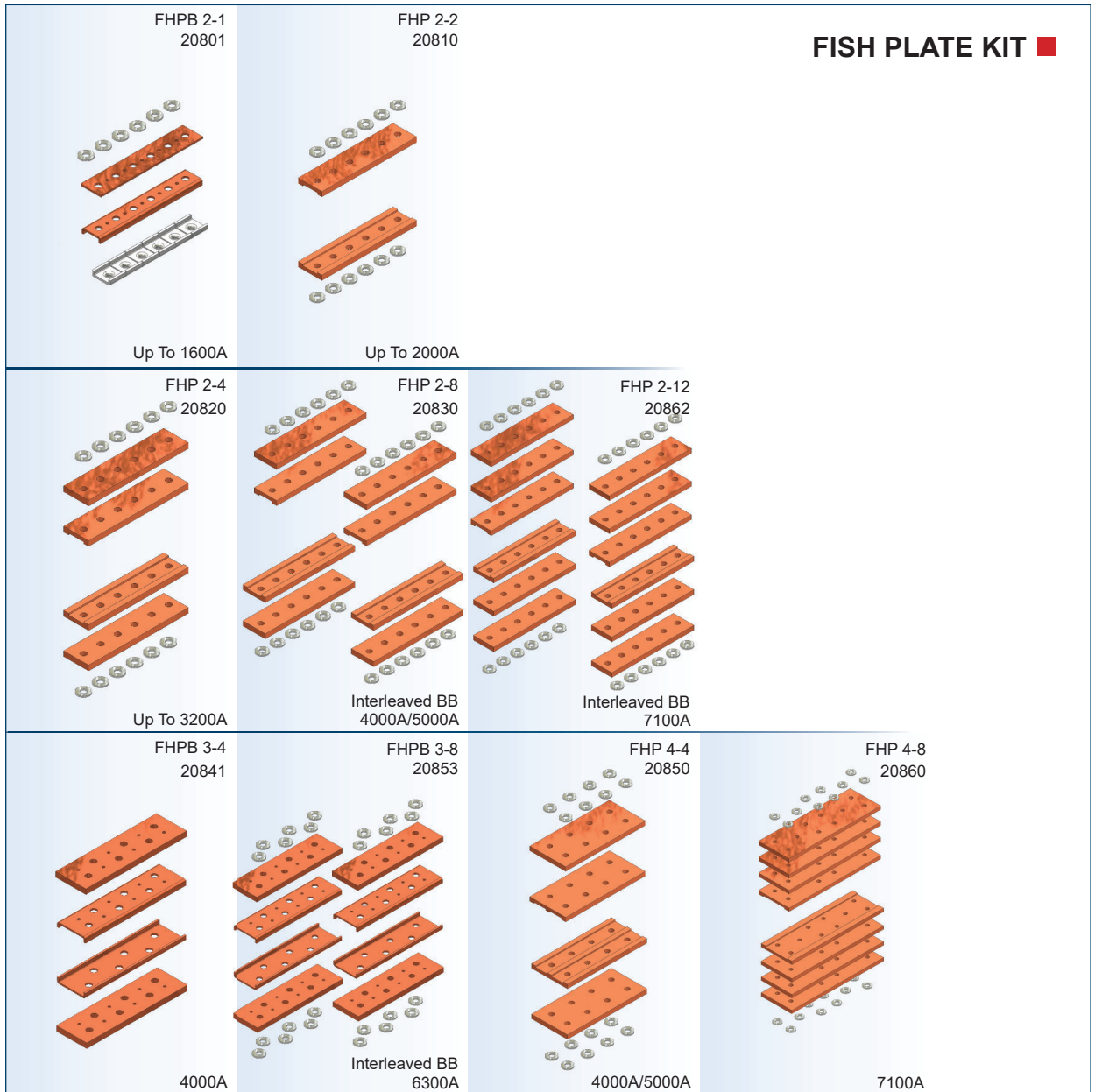




Tip!
SS must be used due to eddy current heating MS components!

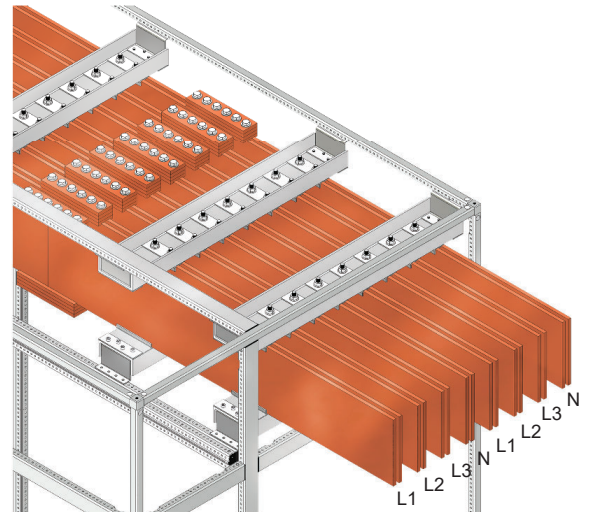
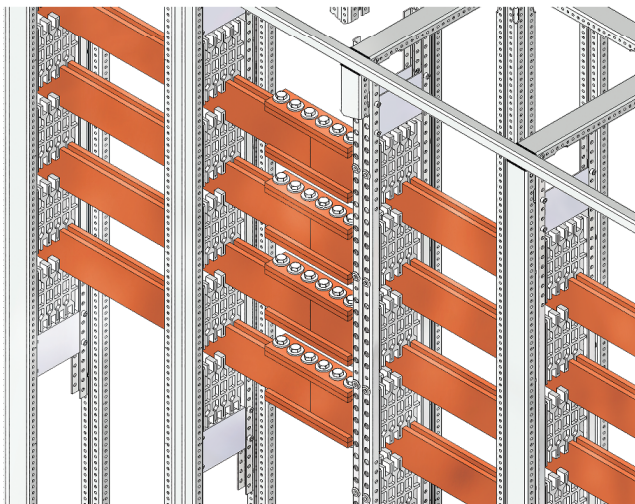
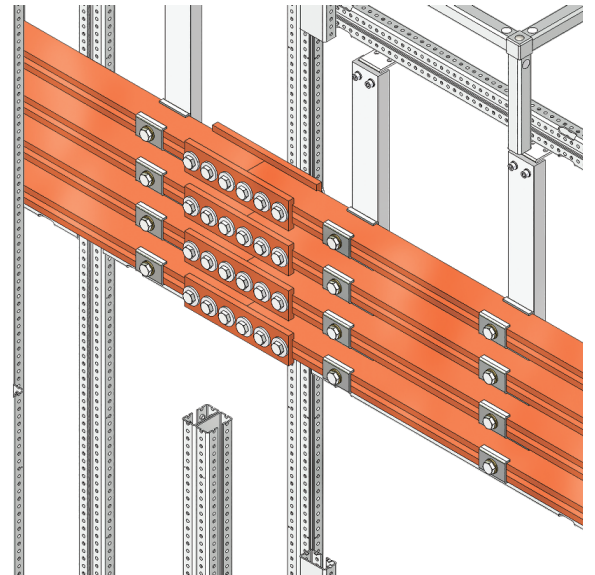
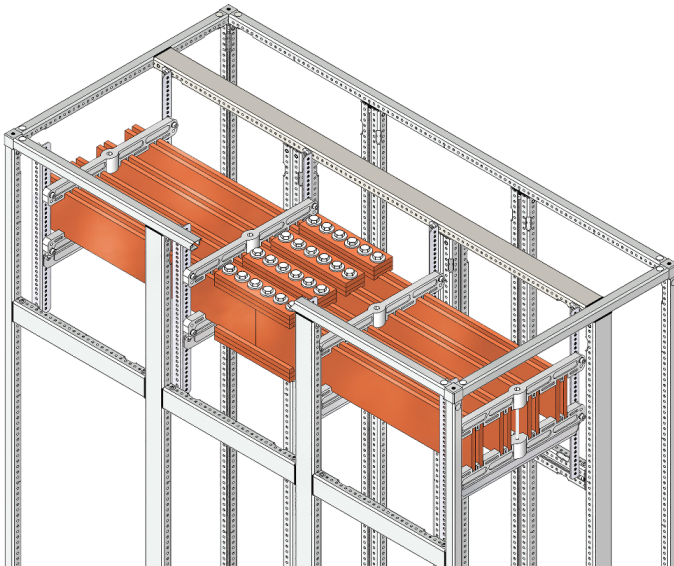
MAXIMUM Cu SIZES FOR UBH/ MAB COMBINATION





FISH PLATE KIT ■

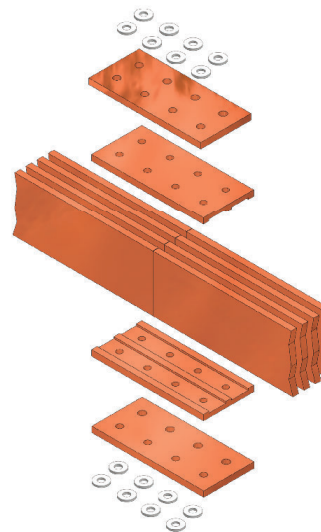
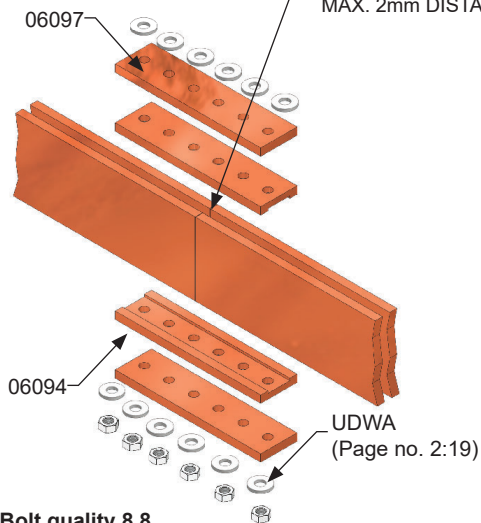
| CAT. No. | DESCRIPTION | RATED CURRENT (A) | NO. OF CONDUCTORS | WEIGHT (kg) | ORDER No. |
|-----------|----------------|-------------------|-------------------|-------------|-----------|
| UFHPB 2-1 | FISH PLATE KIT | 1600 | 2 | 1.12 | U20801 |
| UFHP 2-2 | FISH PLATE KIT | 2000 | 2 | 1.93 | U20810 |
| UFHP 2-4 | FISH PLATE KIT | 3200 | 2 | 3.86 | U20820 |
| UFHP 2-8 | FISH PLATE KIT | 5000 | 2×2 | 7.20 | U20830 |
| UFHP 2-12 | FISH PLATE KIT | 7100 | 2×2 | 19.30 | U20862 |
| UFHPB 3-4 | FISH PLATE KIT | 4000 | 3 | 6.20 | U20841 |
| UFHPB 3-8 | FISH PLATE KIT | 6300 | 3×3 | 12.40 | U20853 |
| UFHP 4-4 | FISH PLATE KIT | 5000 | 4 | 6.90 | U20850 |
| UFHP 4-8 | FISH PLATE KIT | 7100 | 4 | 10.01 | U20860 |



Note: Use UFHPB 2-1, UFHP 2-2, UFHP 2-4 & 2500A with MAB busbar systems.
For higher current rating use busbar clamps

IMPORTANT

PLEASE NOTE THAT THE BUSBARS SHOULD BE CLOSE TO EACH OTHER
MAX. 2mm DISTANCE



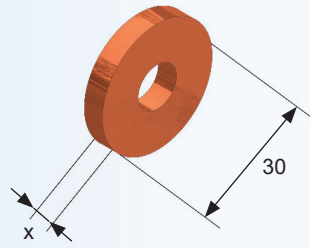
Bolt quality 8.8

Torque 47 Nm

Hex.bolt (M10) length = Height of busbars + 20mm



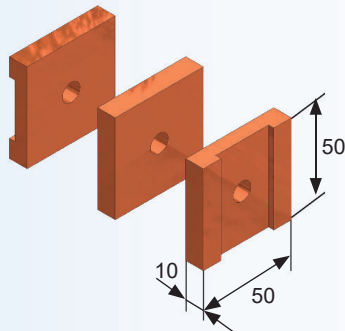
COPPER SPACER ■



× 04 Nos.

| CAT. No. | DESCRIPTION | HEIGHT X | WEIGHT (kg) | ORDER No. |
|----------|---------------|----------|-------------|-----------|
| UCS 5 | COPPER SPACER | 5 | 0.02 | U21300 |
| UCS 10 | COPPER SPACER | 10 | 0.05 | U21310 |
| UCS 15 | COPPER SPACER | 15 | 0.08 | U21320 |
| UCS 20 | COPPER SPACER | 20 | 0.11 | U21330 |
| UCS 25 | COPPER SPACER | 25 | 0.14 | U21340 |
| UCS 30 | COPPER SPACER | 30 | 0.17 | U21350 |
| UCS 35 | COPPER SPACER | 35 | 0.19 | U21360 |
| UCS 40 | COPPER SPACER | 40 | 0.22 | U21370 |
| UCS 45 | COPPER SPACER | 45 | 0.25 | U21380 |
| UCS 50 | COPPER SPACER | 50 | 0.28 | U21390 |

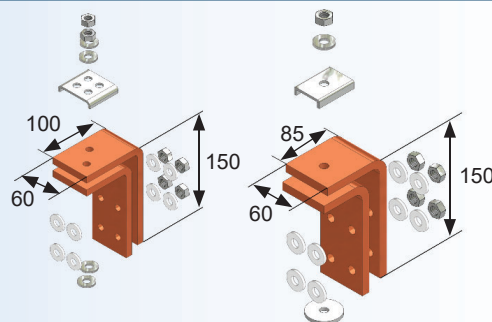
COPPER SPACER ■



× 04 Nos.

| CAT. No. | DESCRIPTION | WEIGHT (kg) | ORDER No. |
|----------|---------------|-------------|-----------|
| UCSS | COPPER SPACER | 0.57 | U21410 |

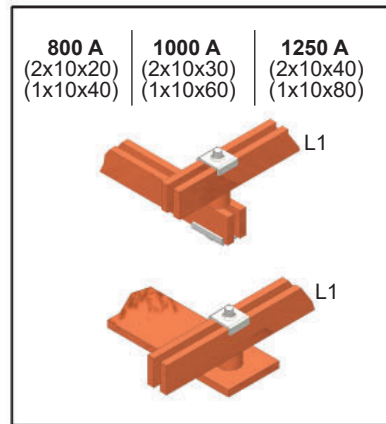
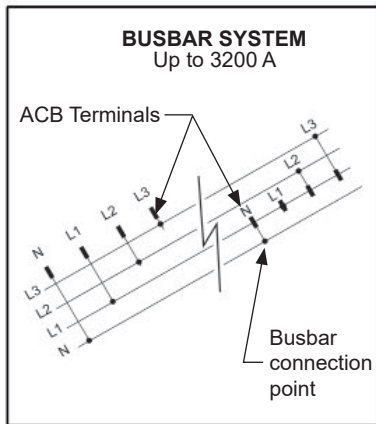
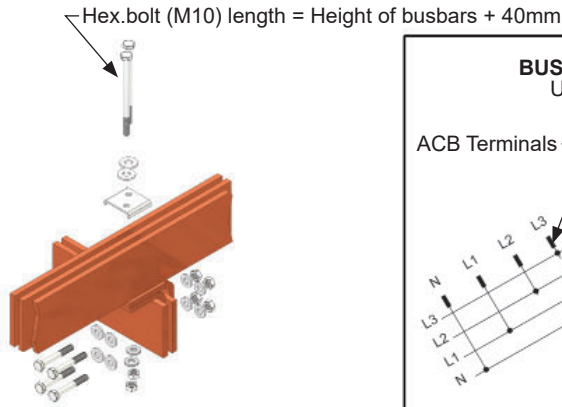
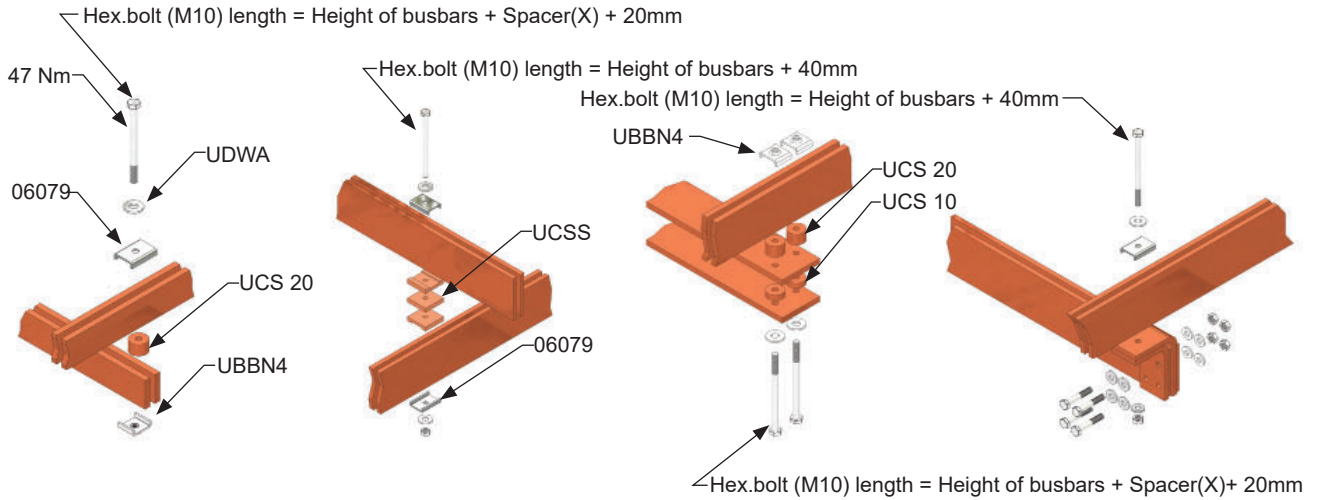
HORIZONTAL TO VERTICAL CONNECTOR ■



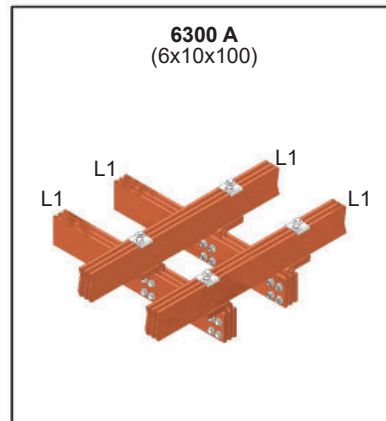
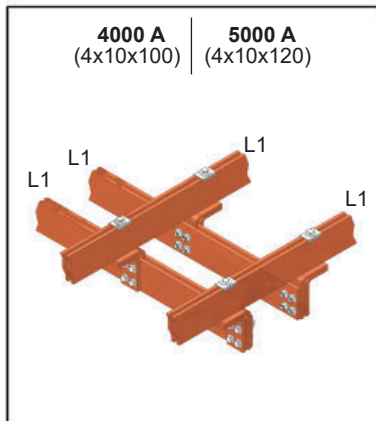
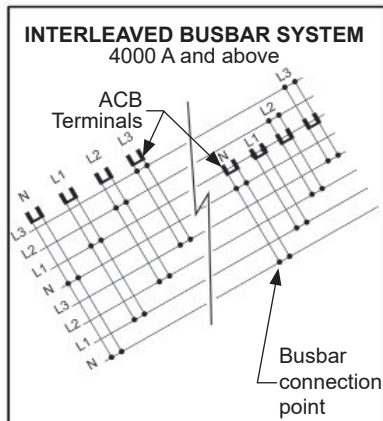
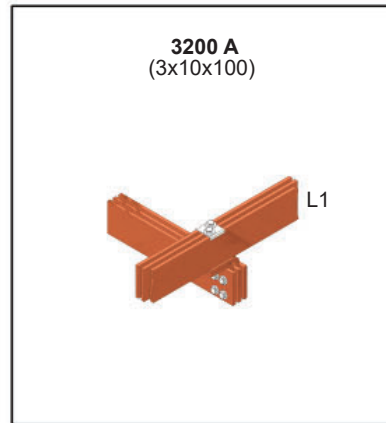
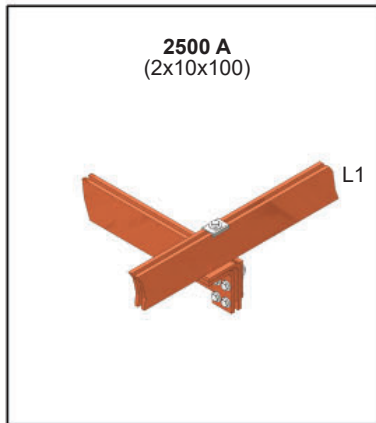
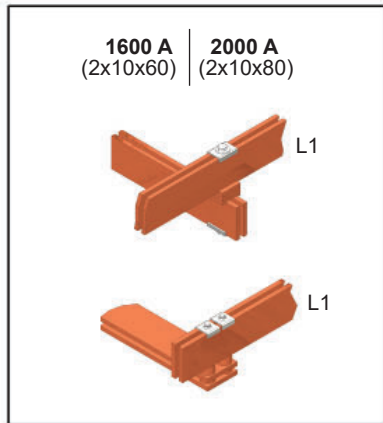
× 04 Nos. for 3200A - 20775
× 16 Nos. for 6300A - 20790

× 04 Nos. for 2500A - 20785
× 16 Nos. for 4000A/5000A - 20780

| CAT. No. | DESCRIPTION | RATED CURRENT (A) | NO. OF CONDUCTORS | WEIGHT (kg) | ORDER No. |
|------------|-------------------|-------------------|-------------------|-------------|-----------|
| UHVC 25 | H TO V CONNECTORS | 2500 | 2 | 8.75 | U20785 |
| UHVC 32 | H TO V CONNECTORS | 3200 | 3 | 8.75 | U20775 |
| UHVC 40-50 | H TO V CONNECTORS | 4000/ 5000 | 2×2 | 35.00 | U20780 |
| UHVC 63 | H TO V CONNECTORS | 6300 | 3×2 | 35.31 | U20790 |



Bolt Quality 8.8

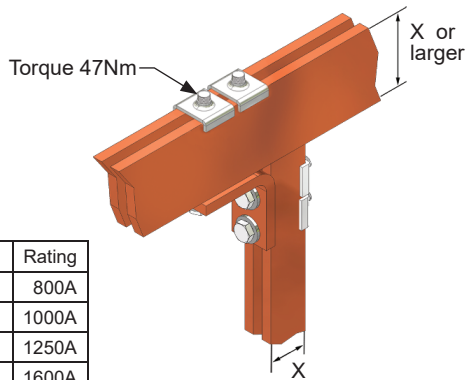




| | | HORIZONTAL TO VERTICAL CONNECTOR ■ | | | |
|--|--|---|-------------------|-------------|-----------|
| <p>UHTVC 2.2-1 20880</p> <p>x 4 Nos.</p> | <p>UHTVC 2.2-2 20881</p> <p>x 4 Nos.</p> | | | | |
| <p>UHTVC 3.2-1 20882</p> <p>x 4 Nos.</p> | <p>UHTVC 3.2-2 20883</p> <p>x 4 Nos.</p> | | | | |
| <p>UHTVC 3.3 20884</p> <p>x 4 Nos.</p> | <p>UHTVC 4.4 20888</p> <p>x 4 Nos.</p> | | | | |
| CAT. No. | DESCRIPTION | RATED CURRENT (A) | NO. OF CONDUCTORS | WEIGHT (kg) | ORDER No. |
| UHTVC 2.2-1 | H TO V CONNECTOR | 2000 | 2×2 | 2.84 | U20880 |
| UHTVC 2.2-2 | H TO V CONNECTOR | 2500 | 2×2 | 5.11 | U20881 |
| UHTVC 3.2-1 | H TO V CONNECTOR | 2000 | 3×2 | 6.00 | U20882 |
| UHTVC 3.2-2 | H TO V CONNECTOR | 2500 | 3×2 | 11.36 | U20883 |
| UHTVC 3.3 | H TO V CONNECTOR | 3200 | 3×3 | 20.75 | U20884 |
| UHTVC 4.4 | H TO V CONNECTOR | 4000 | 4×4 | 24.60 | U20888 |

2 to 2 Busbar connection
up to 2000A

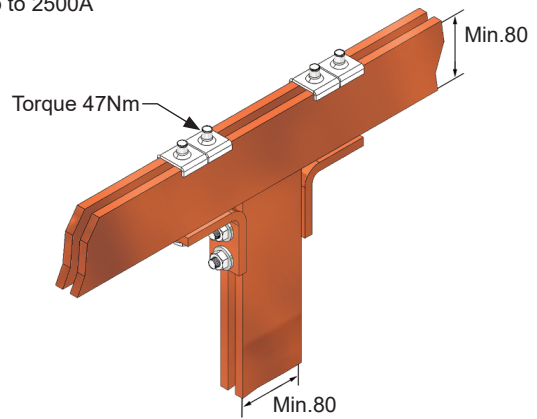
UHTVC 2.2-1



| X | Rating |
|-----|--------|
| 20 | 800A |
| 30 | 1000A |
| 40 | 1250A |
| 60 | 1600A |
| 60* | 2000A |
| 80 | 2000A |

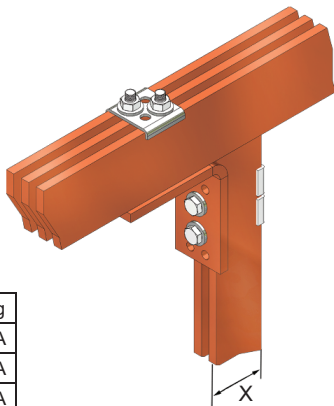
2 to 2 Busbar connection
up to 2500A

UHTVC 2.2-2



3 to 2 Busbar connection
up to 2000A

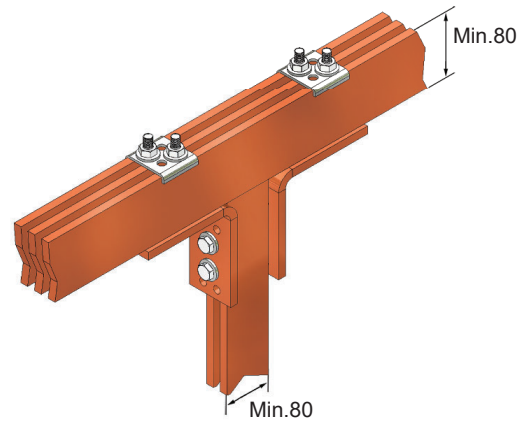
UHTVC 3.2-1



| X | Rating |
|-----|--------|
| 40 | 1250A |
| 60 | 1600A |
| 60* | 2000A |
| 80 | 2000A |

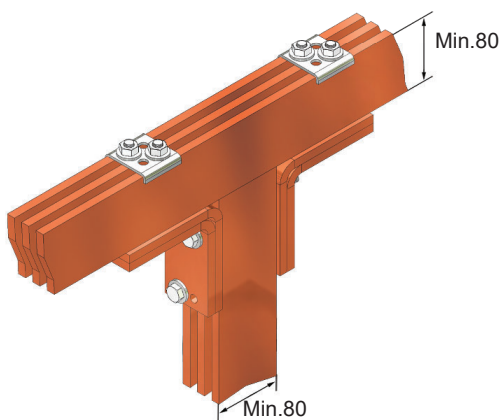
3 to 2 Busbar connection
up to 2500A

UHTVC 3.2-2



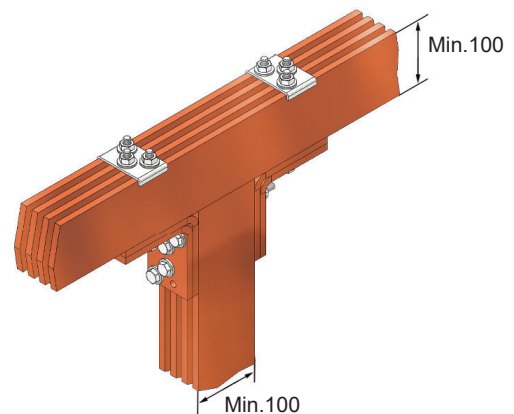
3 to 3 Busbar connection
up to 3200A

UHTVC 3.3



4 to 4 Busbar connection
up to 4000A

UHTVC 4.4



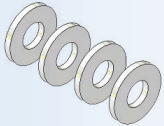
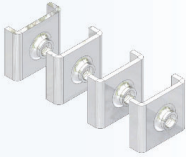


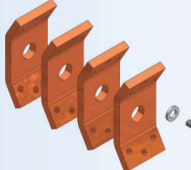
Hex.bolt (M10) length = Height of busbar + Thickness of H2V+ 20mm


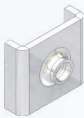

Bolt quality 8.8

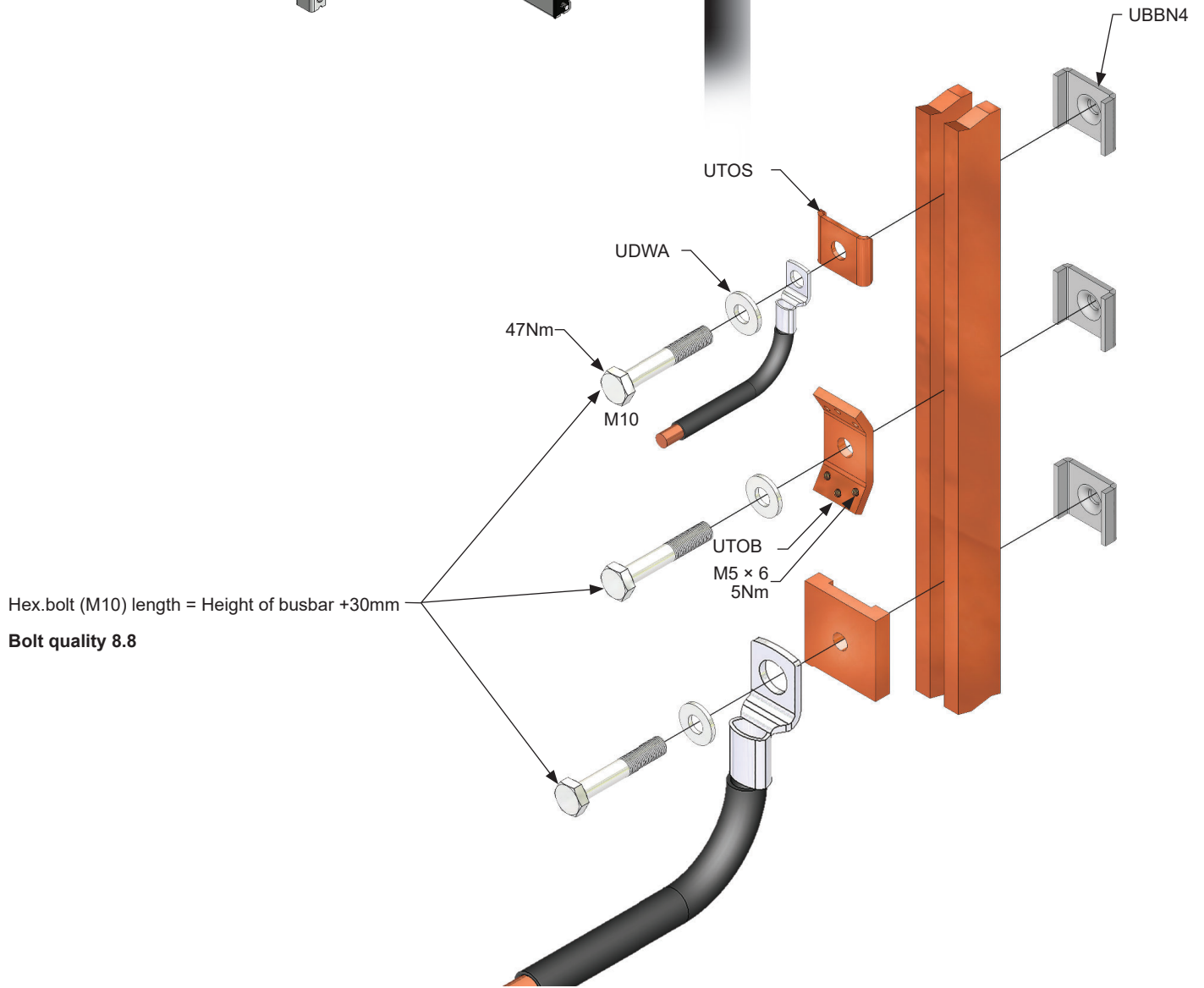
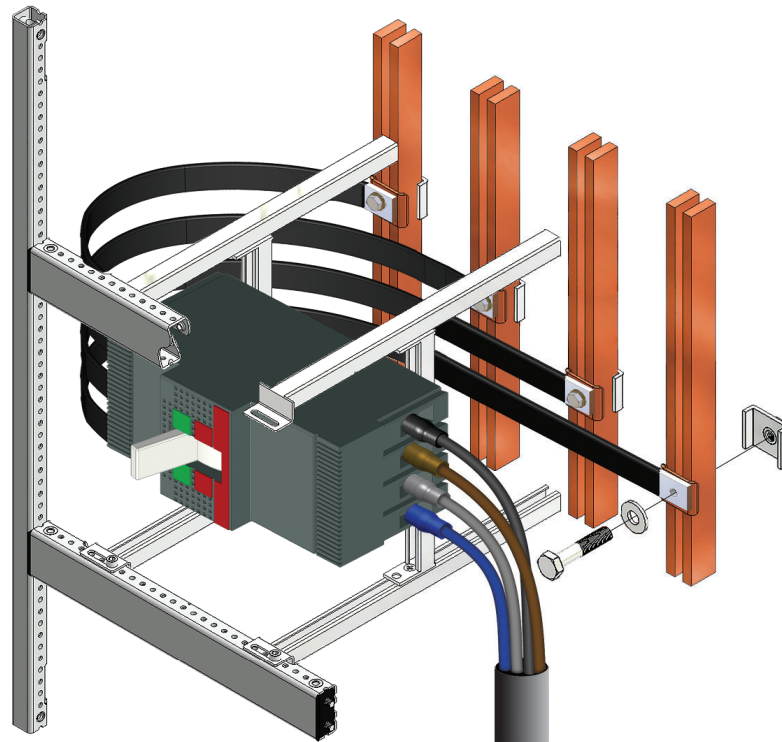
Torque 47Nm

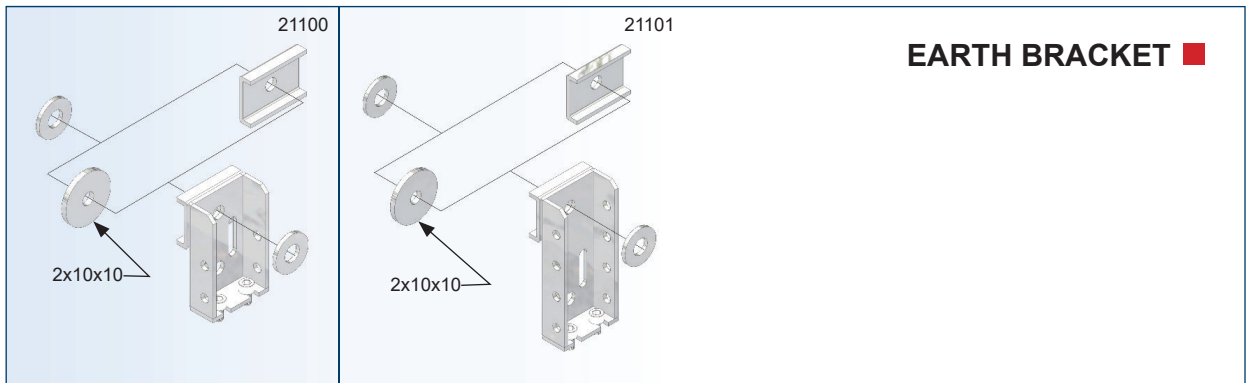
*Applicable only when fitted at bottom in II Cu orientation or as vertical dropper



| BUSBAR TAP OFF ACCESSORIES ■ | | | | |
|--|--|------|-------------|-----------|
|  <p>UDWA 21000</p> |  <p>UBBN4 21032</p> | | | |
|  <p>Max. FB 630A Cable Size - 120mm² Minimum Busbar size 10×20</p> <p>UTOS 21012</p> |  <p>Max. FB 630A Cable Size - 300mm²</p> <p>UHTOS1 21026</p> | | | |
|  <p>UTOB 21020</p> | | | | |
| CAT. No. | DESCRIPTION | SIZE | WEIGHT (kg) | ORDER No. |
| UDWA | CONICAL SPRING WASHER DIN 6796 | M10 | 0.03 | U21000 |
| UBBN4 | BUSBAR NUT 4 mm | M10 | 0.21 | U21032 |
| UTOS | TAP OFF SET Cu | | 0.09 | U21012 |
| UTOB | TAP OFF BRACKET Cu | | 0.33 | U21020 |
| UHTOS1 | HEAVY DUTY TAP OFF SET Cu | | 0.88 | U21026 |

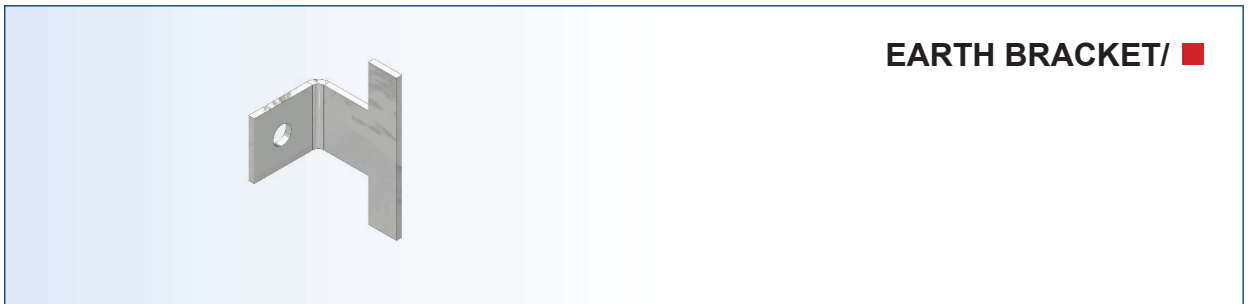
| BUSBAR TAP OFF PACK ■ | | | | |
|--|---|------|-------------|-----------|
|  <p>DWAP 21002</p> <p>x200 Nos.</p> |  <p>BBNP4 21006</p> <p>x200 Nos.</p> | | | |
|  <p>TOSP 21003</p> <p>x200 Nos.</p> | | | | |
| CAT. No. | DESCRIPTION | SIZE | WEIGHT (kg) | ORDER No. |
| UDWAP | CONICAL SPRING WASHER DIN 6796 PACK | M10 | 1.20 | U21002 |
| UBBNP 4 | BUSBAR NUT 4mm PACK | M10 | 6.60 | U21006 |
| UTOSP | TAP OFF SET 10×20 PACK | | 4.80 | U21003 |





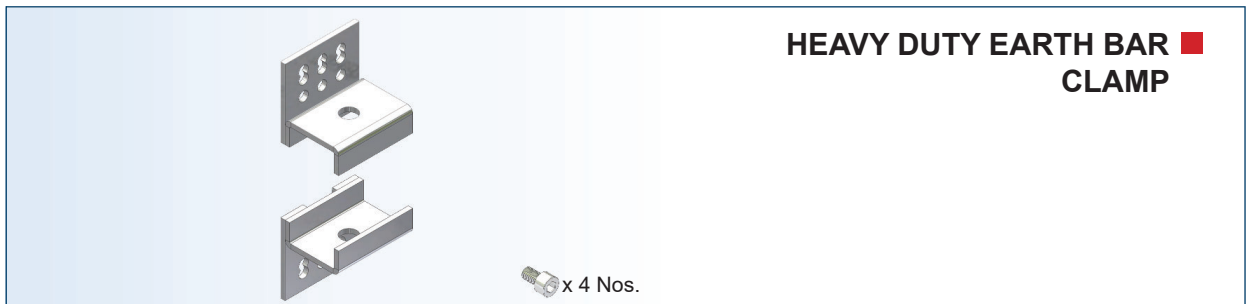
EARTH BRACKET ■

| CAT. No. | DESCRIPTION | Max. Cu SIZE | WEIGHT (kg) | ORDER No. Zinc plated |
|----------|----------------------------|------------------------------|-------------|--------------------------|
| UBEC | EARTH BRACKET | Min. 2×10×10 Max. 2×10×60 | 0.32 | U21100 |
| UBECN | EARTH BRACKET WITH NEUTRAL | Min. 2×10×10 Max. 2×10×60 | 0.38 | U21101 |



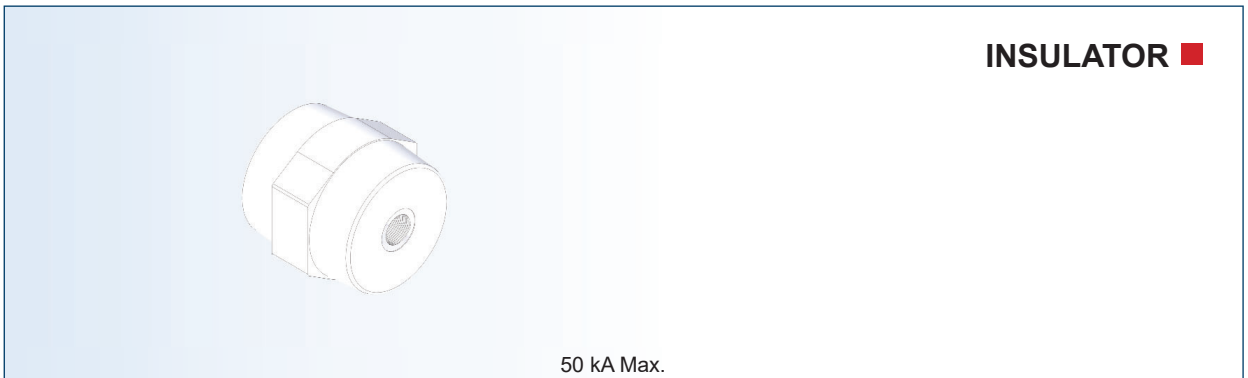
EARTH BRACKET/ ■

| CAT. No. | DESCRIPTION | CONDUCTOR SIZE | WEIGHT (kg) | ORDER No. Zinc plated |
|----------|---------------|----------------|-------------|--------------------------|
| UEB | EARTH BRACKET | 1×10×5 | 0.05 | U21200 |



HEAVY DUTY EARTH BAR CLAMP ■

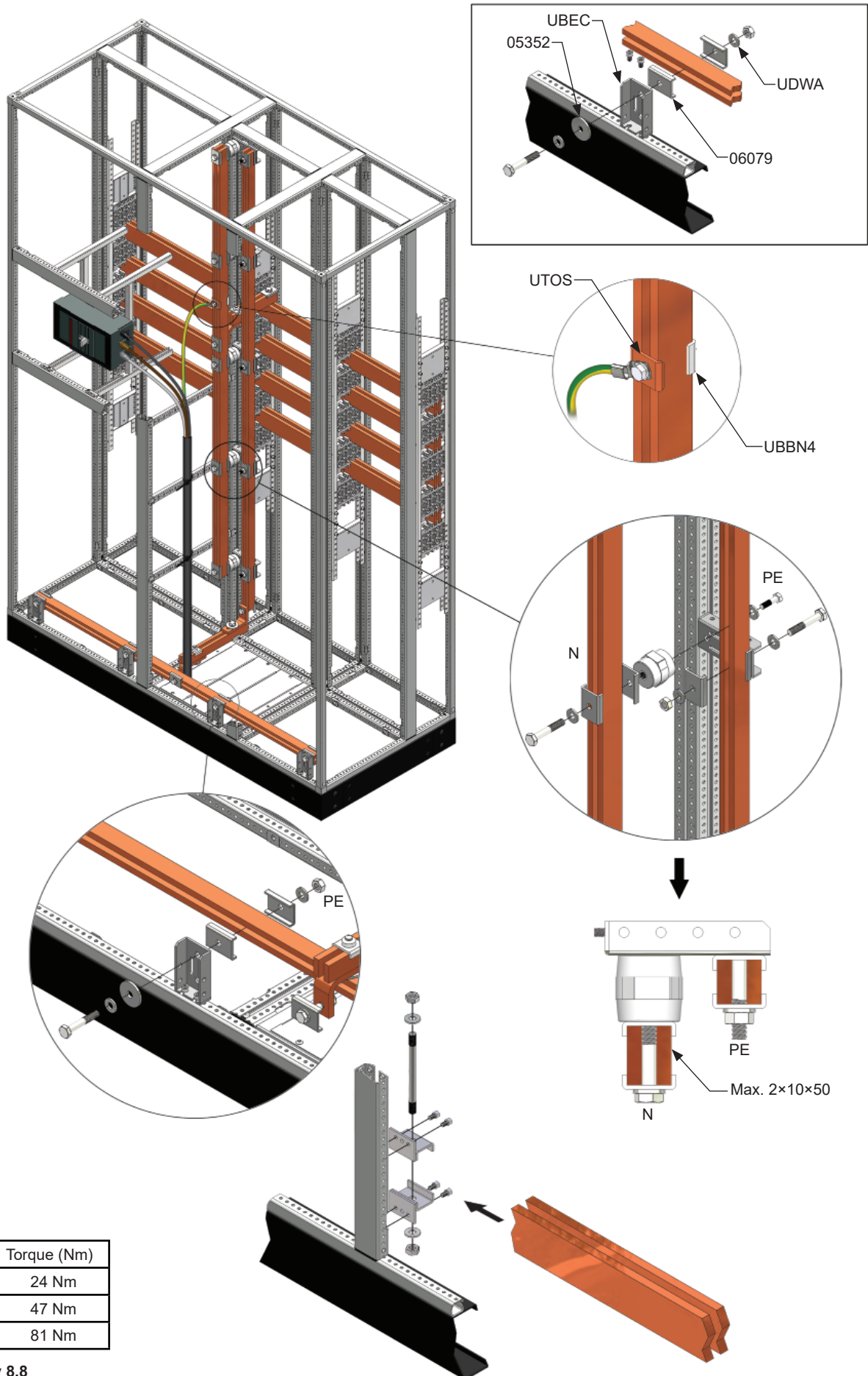
| CAT. No. | DESCRIPTION | Max. Cu SIZE | WEIGHT (kg) | ORDER No. Zinc plated |
|----------|----------------------------|--------------------------------|-------------|--------------------------|
| UEBC | HEAVY DUTY EARTH BAR CLAMP | 2×10×60 2×10×80 2×10×100 | 0.21 | U21116 |



INSULATOR ■

50 kA Max.

| CAT. No. | DESCRIPTION | SIZE | WEIGHT (kg) | ORDER No. Zinc plated |
|----------|-------------|----------|-------------|--------------------------|
| UINS 1 | INSULATOR | M8 × 45 | 0.10 | U21139 |
| UINS 2 | INSULATOR | M10 × 45 | 0.10 | U21140 |
| UINS 3 | INSULATOR | M12 × 45 | 0.10 | U21141 |



| Bolt Size | Torque (Nm) |
|-----------|-------------|
| M8 | 24 Nm |
| M10 | 47 Nm |
| M12 | 81 Nm |

Bolt Quality 8.8

| DESIGN PROTECTED | | DESIGN PROTECTED | | FLEXI Cu SUPPORT HOLDER ■ | | |
|------------------|-------------------------|------------------|----------|----------------------------------|-----------|--|
| FCSH 3 | | FCSH 4 | | | | |
| CAT. No. | DESCRIPTION | NO OF POLES | I_{cc} | WEIGHT (kg) | ORDER No. | |
| UFCSH 3 | FLEXI Cu SUPPORT HOLDER | 3 | 50 kA | 0.144 | U21164 | |
| UFCSH 4 | FLEXI Cu SUPPORT HOLDER | 4 | 50 kA | 0.206 | U21163 | |



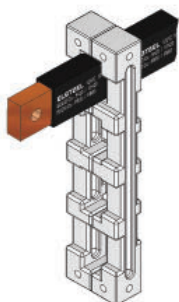
BUSBAR SYSTEMS



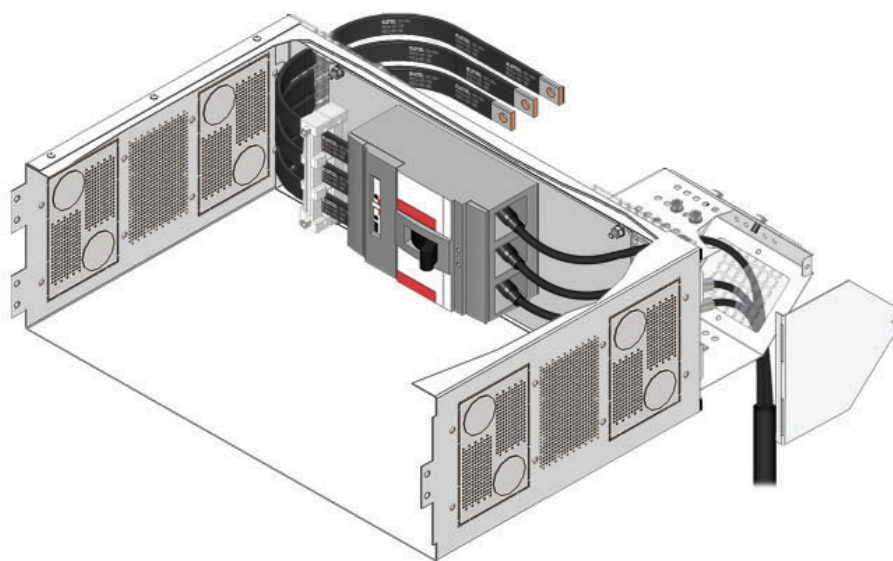
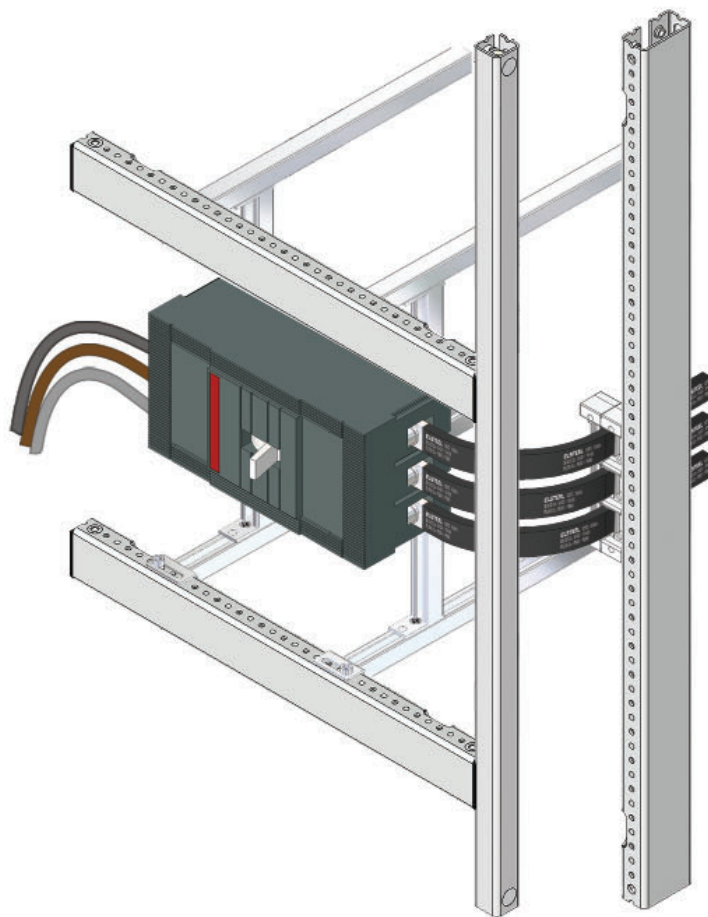
125/160/250 A



400 A



630 A

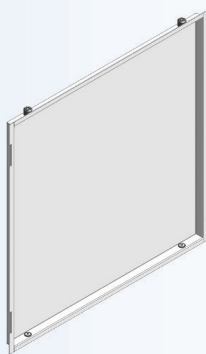


*See page 6:22 Braided Cu Flexi - Bar selection guide



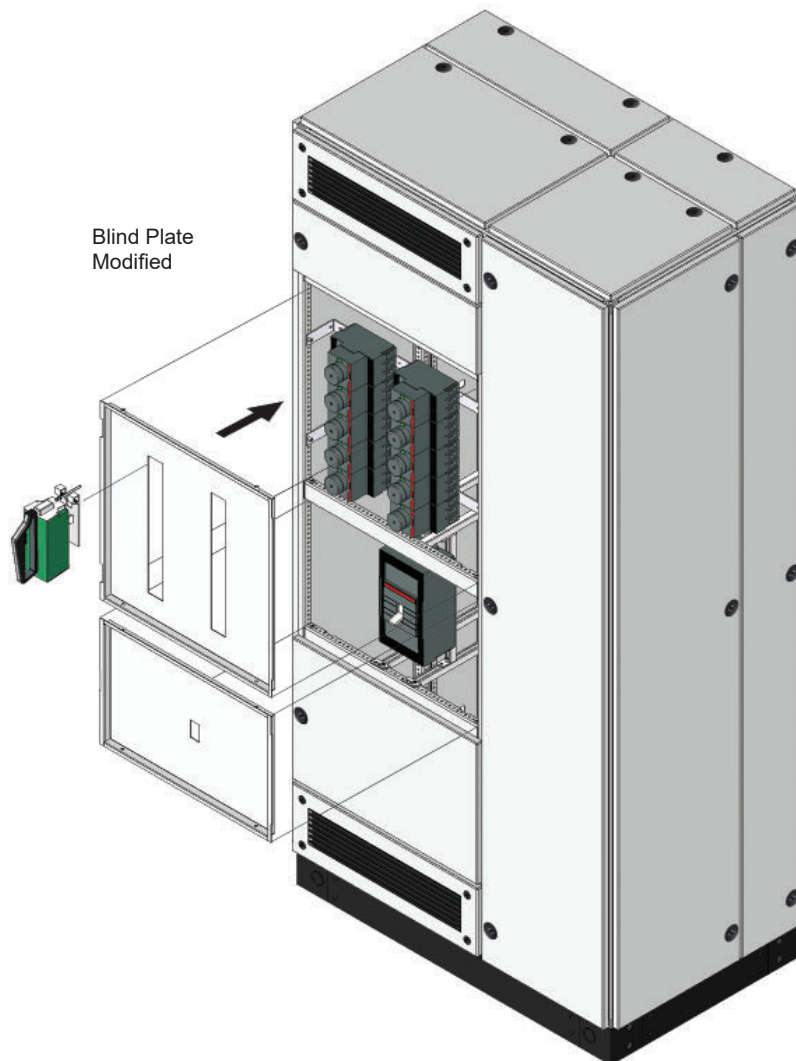
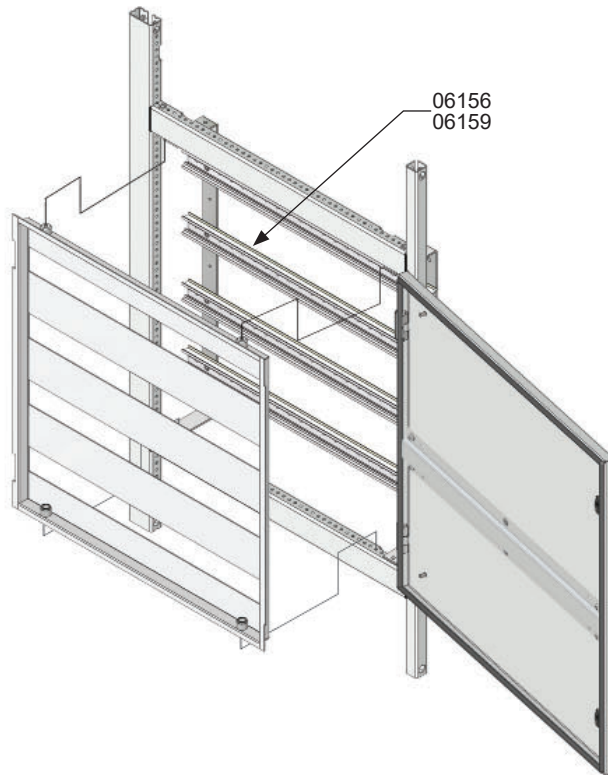
STEEL DIN RAIL INSERT ■

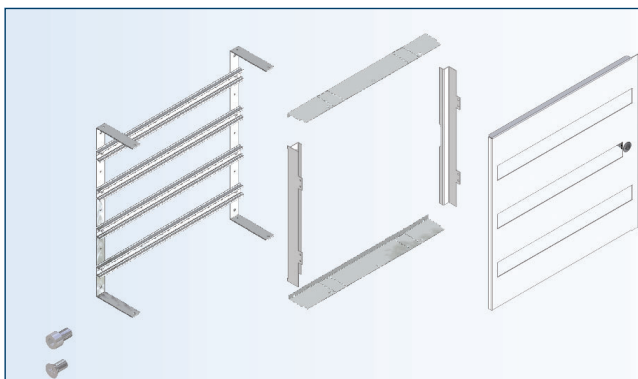
| CAT. No. | DESCRIPTION | ROWS+UNITS | SIZE (W×H) | WEIGHT (kg) | VERSION 3 ORDER No. RAL 7035 FTf. |
|------------|-----------------------|------------|------------|-------------|-----------------------------------|
| UDINI 4.2 | STEEL DIN RAIL INSERT | 1 × 18 | 400 × 200 | 1.34 | U30052 |
| UDINI 4.4 | STEEL DIN RAIL INSERT | 2 × 18 | 400 × 400 | 2.58 | U30072 |
| UDINI 4.6 | STEEL DIN RAIL INSERT | 4 × 18 | 400 × 600 | 3.79 | U30092 |
| UDINI 4.8 | STEEL DIN RAIL INSERT | 6 × 18 | 400 × 800 | 5.04 | U30106 |
| UDINI 4.10 | STEEL DIN RAIL INSERT | 7 × 18 | 400 × 1000 | 6.32 | U30116 |
| UDINI 6.2 | STEEL DIN RAIL INSERT | 1 × 29 | 600 × 200 | 1.45 | U30142 |
| UDINI 6.4 | STEEL DIN RAIL INSERT | 2 × 29 | 600 × 400 | 3.47 | U30154 |
| UDINI 6.6 | STEEL DIN RAIL INSERT | 4 × 29 | 600 × 600 | 5.72 | U30172 |
| UDINI 6.8 | STEEL DIN RAIL INSERT | 6 × 29 | 600 × 800 | 7.58 | U30196 |
| UDINI 6.10 | STEEL DIN RAIL INSERT | 7 × 29 | 600 × 1000 | 9.42 | U30199 |



STEEL BLANK FRONT PLATE ■

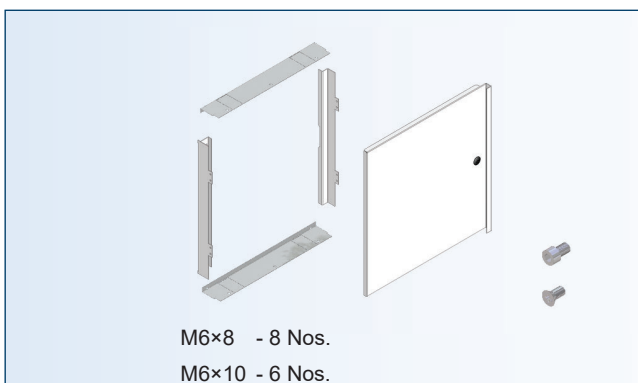
| CAT. No. | DESCRIPTION | SIZE (W×H) | WEIGHT (kg) | VERSION 3 ORDER No. RAL 7035 FTf. |
|------------|-------------------------|------------|-------------|-----------------------------------|
| UBLFP 4.2 | STEEL BLANK FRONT PLATE | 400 × 200 | 0.85 | U30354 |
| UBLFP 4.4 | STEEL BLANK FRONT PLATE | 400 × 400 | 1.77 | U30375 |
| UBLFP 4.6 | STEEL BLANK FRONT PLATE | 400 × 600 | 2.55 | U30394 |
| UBLFP 4.8 | STEEL BLANK FRONT PLATE | 400 × 800 | 3.54 | U30406 |
| UBLFP 4.10 | STEEL BLANK FRONT PLATE | 400 × 1000 | 4.59 | U30418 |
| UBLFP 6.2 | STEEL BLANK FRONT PLATE | 600 × 200 | 1.24 | U30444 |
| UBLFP 6.4 | STEEL BLANK FRONT PLATE | 600 × 400 | 3.46 | U30454 |
| UBLFP 6.6 | STEEL BLANK FRONT PLATE | 600 × 600 | 4.13 | U30474 |
| UBLFP 6.8 | STEEL BLANK FRONT PLATE | 600 × 800 | 5.25 | U30497 |
| UBLFP 6.10 | STEEL BLANK FRONT PLATE | 600 × 1000 | 6.89 | U30499 |





STEEL DIN RAIL INSERT ■ WITH ESCUTCHEON DOOR

| CAT. No. | DESCRIPTION | ROWS+UNITS | SIZE (W×H) | WEIGHT (kg) | ORDER No. | |
|-------------|--|------------|------------|-------------|--------------|--------------|
| | | | | | RAL 9010 SMF | RAL 7035 FTF |
| UDINIE 4.2 | STEEL DIN RAIL INSERT WITH ESCUTCHEON DOOR | 1 × 18 | 400 × 200 | 0.53 | U30560 | U30570 |
| UDINIE 4.4 | STEEL DIN RAIL INSERT WITH ESCUTCHEON DOOR | 2 × 18 | 400 × 400 | 0.86 | U30561 | U30571 |
| UDINIE 4.6 | STEEL DIN RAIL INSERT WITH ESCUTCHEON DOOR | 4 × 18 | 400 × 600 | 1.17 | U30562 | U30572 |
| UDINIE 4.8 | STEEL DIN RAIL INSERT WITH ESCUTCHEON DOOR | 6 × 18 | 400 × 800 | 1.52 | U30563 | U30573 |
| UDINIE 4.10 | STEEL DIN RAIL INSERT WITH ESCUTCHEON DOOR | 7 × 18 | 400 × 1000 | 1.90 | U30564 | U30574 |
| UDINIE 6.2 | STEEL DIN RAIL INSERT WITH ESCUTCHEON DOOR | 1 × 29 | 600 × 200 | 0.21 | U30565 | U30575 |
| UDINIE 6.4 | STEEL DIN RAIL INSERT WITH ESCUTCHEON DOOR | 2 × 29 | 600 × 400 | 0.85 | U30566 | U30576 |
| UDINIE 6.6 | STEEL DIN RAIL INSERT WITH ESCUTCHEON DOOR | 4 × 29 | 600 × 600 | 1.73 | U30567 | U30577 |
| UDINIE 6.8 | STEEL DIN RAIL INSERT WITH ESCUTCHEON DOOR | 6 × 29 | 600 × 800 | 2.22 | U30568 | U30578 |
| UDINIE 6.10 | STEEL DIN RAIL INSERT WITH ESCUTCHEON DOOR | 7 × 29 | 600 × 1000 | 2.69 | U30569 | U30579 |



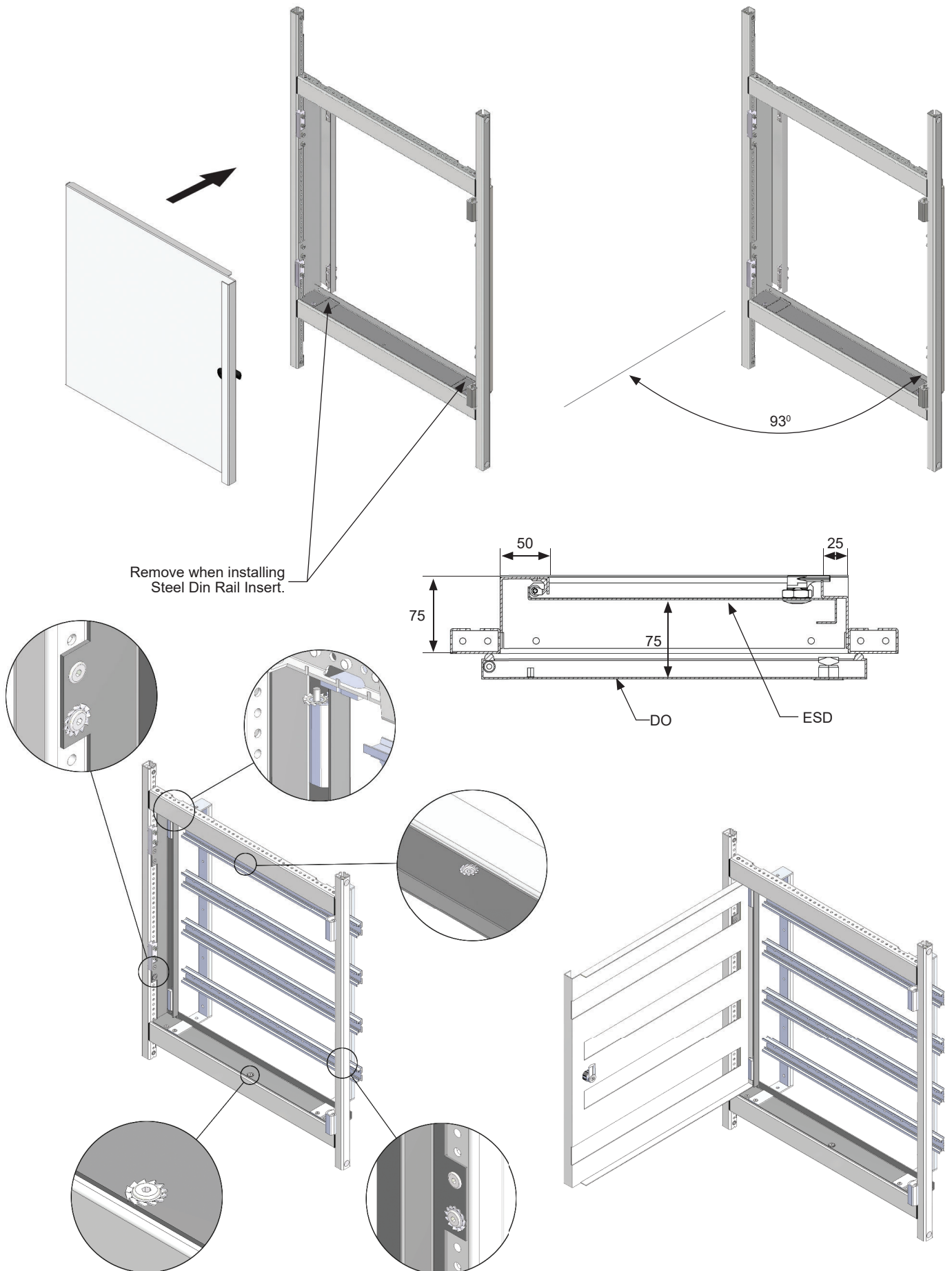
ESCUTCHEON DOOR ■

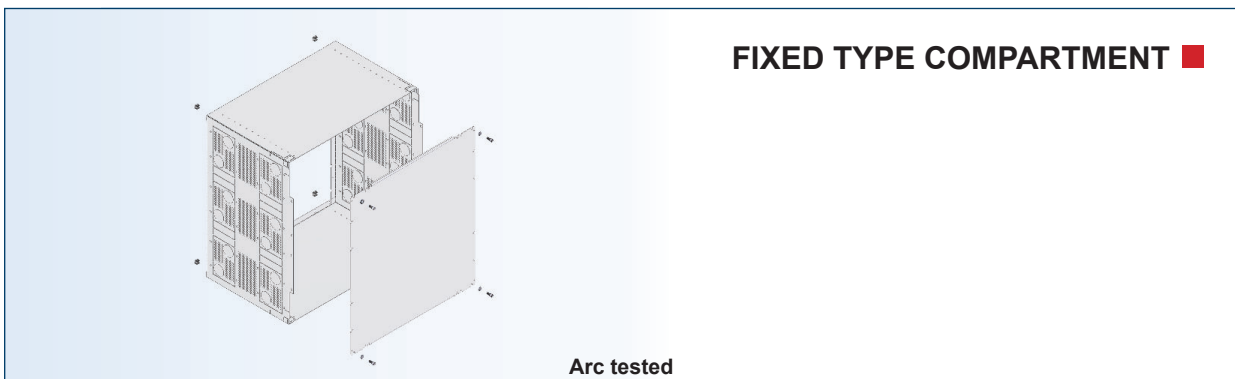
| CAT. No. | DESCRIPTION | SIZE (W×H) | WEIGHT (kg) | ORDER No. | |
|------------|-----------------|-------------|-------------|--------------|--------------|
| | | | | RAL 9010 SMF | RAL 7035 FTF |
| *UESD 4.2 | ESCUTCHEON DOOR | 400 × 200 | 3.66 | U15681 | U15694 |
| *UESD 4.4 | ESCUTCHEON DOOR | 400 × 400 | 4.88 | U15682 | U15695 |
| *UESD 6.2 | ESCUTCHEON DOOR | 600 × 200 | 4.88 | U15686 | U15696 |
| *UESD 6.3 | ESCUTCHEON DOOR | 600 × 300 | 5.49 | U15687 | U15697 |
| *UESD 6.4 | ESCUTCHEON DOOR | 600 × 400 | 6.10 | U15688 | U15698 |
| *UESD 6.6 | ESCUTCHEON DOOR | 600 × 600 | 7.40 | U15689 | U15699 |
| *UESD 6.8 | ESCUTCHEON DOOR | 600 × 800 | 9.66 | U15692 | U15693 |
| *UESD 6.10 | ESCUTCHEON DOOR | 600 × 1000 | 11.92 | U15702 | U15703 |
| UESD 6.12 | ESCUTCHEON DOOR | 600 × 1200 | 14.18 | U15711 | U15713 |
| UESD 6.14 | ESCUTCHEON DOOR | 600 × 1400 | 16.44 | U15721 | U15729 |
| UESD 6.16 | ESCUTCHEON DOOR | 600 × 1600 | 18.08 | U15723 | U15730 |
| UESD 6.18 | ESCUTCHEON DOOR | 600 × 1800 | 19.72 | U15725 | U15731 |
| UESD 6.20 | ESCUTCHEON DOOR | 600 × 2000 | 21.36 | U15727 | U15728 |
| UESD 8.6 | ESCUTCHEON DOOR | 800 × 600 | 9.24 | U15741 | U15742 |
| UESD 8.8 | ESCUTCHEON DOOR | 800 × 800 | 12.01 | U15751 | U15752 |
| UESD 8.10 | ESCUTCHEON DOOR | 800 × 1000 | 14.78 | U15761 | U15762 |
| UESD 8.12 | ESCUTCHEON DOOR | 800 × 1200 | 17.55 | U15772 | U15773 |
| UESD 8.14 | ESCUTCHEON DOOR | 800 × 1400 | 20.32 | U15779 | U15778 |
| UESD 8.16 | ESCUTCHEON DOOR | 800 × 1600 | 22.16 | U15783 | U15776 |
| UESD 8.18 | ESCUTCHEON DOOR | 800 × 1800 | 24.01 | U15785 | U15777 |
| UESD 8.20 | ESCUTCHEON DOOR | 800 × 2000 | 25.85 | U15787 | U15788 |
| UESD 10.18 | ESCUTCHEON DOOR | 1000 × 1800 | 25.85 | U15795 | U15796 |

* Escutcheon Doors can be used with Steel Din Rail Insert



FIXED TYPE INSERTS

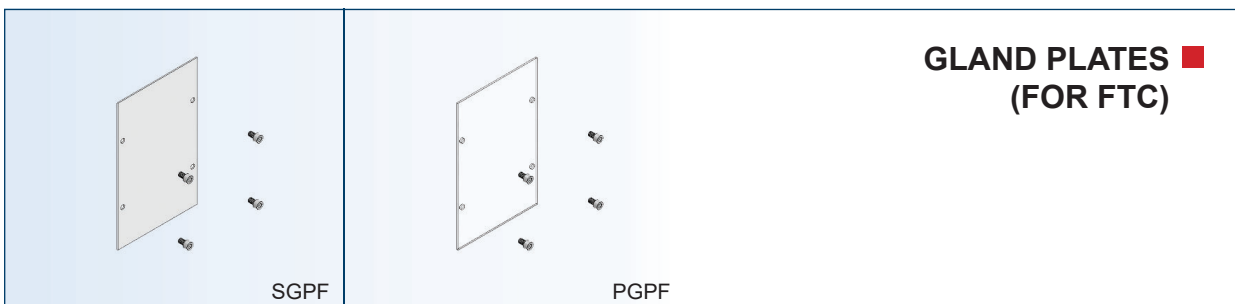




FIXED TYPE COMPARTMENT ■

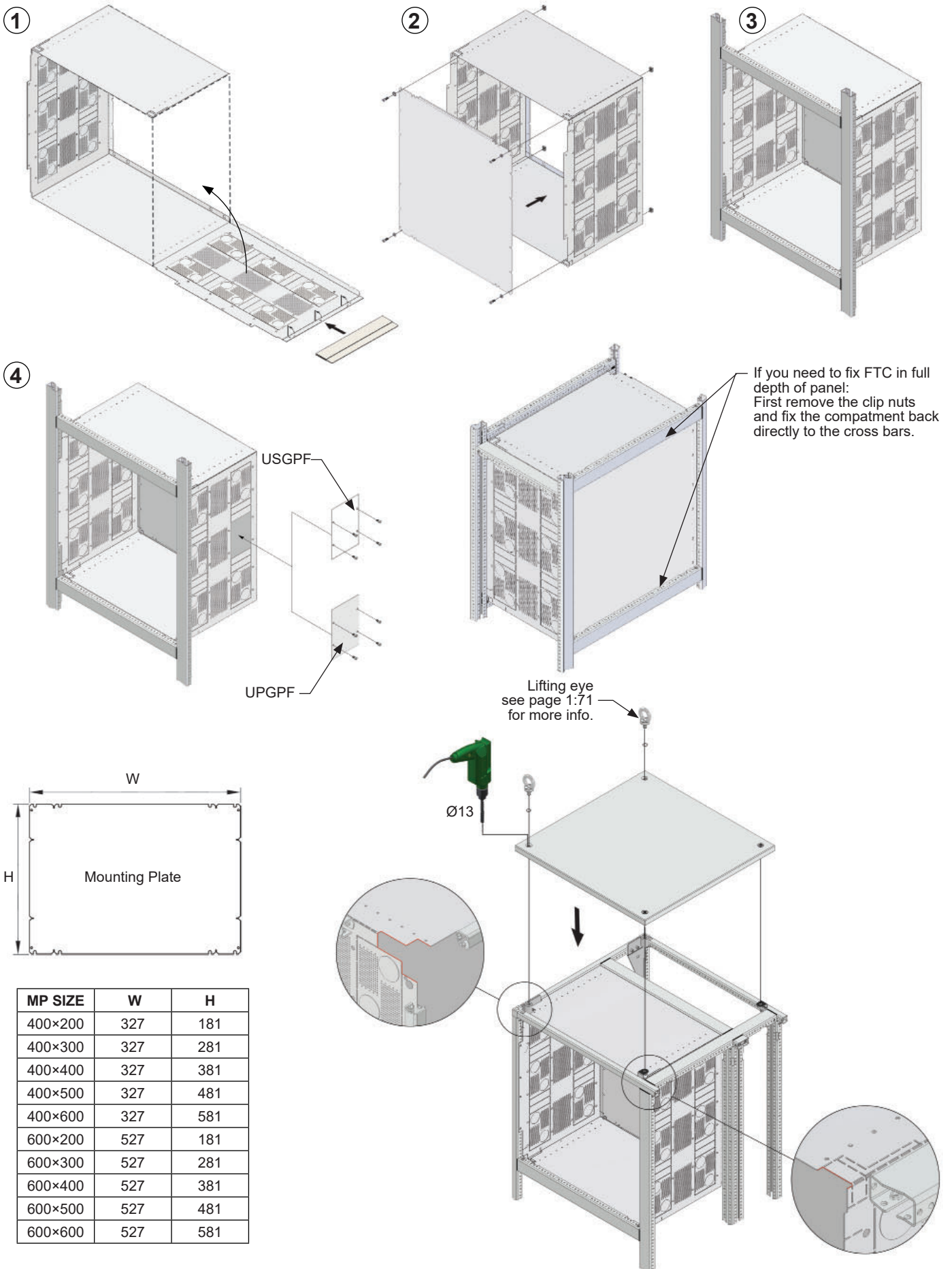
Arc tested

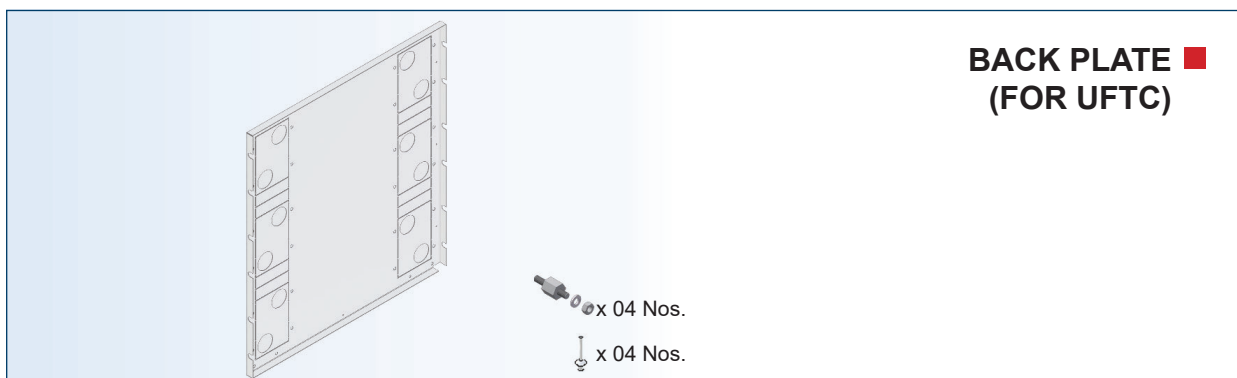
| CAT. No. | DESCRIPTION | SIZE (W×H×D) | DEPTH (ACTUAL SIZE) | WEIGHT (kg) | ORDER No. RAL 9010 SMF |
|------------|------------------------|--------------|---------------------|-------------|------------------------|
| UFTC 4.2.2 | FIXED TYPE COMPARTMENT | 400×200×200 | 155 | 2.26 | U32060 |
| UFTC 4.3.2 | FIXED TYPE COMPARTMENT | 400×300×200 | 155 | 3.38 | U32061 |
| UFTC 4.4.2 | FIXED TYPE COMPARTMENT | 400×400×200 | 155 | 4.51 | U32062 |
| UFTC 4.5.2 | FIXED TYPE COMPARTMENT | 400×500×200 | 155 | 5.21 | U32063 |
| UFTC 4.6.2 | FIXED TYPE COMPARTMENT | 400×600×200 | 155 | 6.74 | U32064 |
| UFTC 4.2.3 | FIXED TYPE COMPARTMENT | 400×200×300 | 255 | 3.34 | U32066 |
| UFTC 4.3.3 | FIXED TYPE COMPARTMENT | 400×300×300 | 255 | 4.46 | U32067 |
| UFTC 4.4.3 | FIXED TYPE COMPARTMENT | 400×400×300 | 255 | 5.58 | U32068 |
| UFTC 4.5.3 | FIXED TYPE COMPARTMENT | 400×500×300 | 255 | 6.02 | U32069 |
| UFTC 4.6.3 | FIXED TYPE COMPARTMENT | 400×600×300 | 255 | 7.82 | U32070 |
| UFTC 4.2.4 | FIXED TYPE COMPARTMENT | 400×200×400 | 355 | 3.89 | U32072 |
| UFTC 4.3.4 | FIXED TYPE COMPARTMENT | 400×300×400 | 355 | 5.01 | U32073 |
| UFTC 4.4.4 | FIXED TYPE COMPARTMENT | 400×400×400 | 355 | 6.13 | U32074 |
| UFTC 4.5.4 | FIXED TYPE COMPARTMENT | 400×500×400 | 355 | 7.58 | U32075 |
| UFTC 4.6.4 | FIXED TYPE COMPARTMENT | 400×600×400 | 355 | 8.25 | U32076 |
| UFTC 6.2.2 | FIXED TYPE COMPARTMENT | 600×200×200 | 155 | 4.59 | U32078 |
| UFTC 6.3.2 | FIXED TYPE COMPARTMENT | 600×300×200 | 155 | 5.71 | U32079 |
| UFTC 6.4.2 | FIXED TYPE COMPARTMENT | 600×400×200 | 155 | 6.83 | U32080 |
| UFTC 6.5.2 | FIXED TYPE COMPARTMENT | 600×500×200 | 155 | 7.35 | U32081 |
| UFTC 6.6.2 | FIXED TYPE COMPARTMENT | 600×600×200 | 155 | 7.94 | U32082 |
| UFTC 6.2.3 | FIXED TYPE COMPARTMENT | 600×200×300 | 255 | 4.65 | U32084 |
| UFTC 6.3.3 | FIXED TYPE COMPARTMENT | 600×300×300 | 255 | 6.85 | U32085 |
| UFTC 6.4.3 | FIXED TYPE COMPARTMENT | 600×400×300 | 255 | 7.97 | U32086 |
| UFTC 6.5.3 | FIXED TYPE COMPARTMENT | 600×500×300 | 255 | 8.04 | U32087 |
| UFTC 6.6.3 | FIXED TYPE COMPARTMENT | 600×600×300 | 255 | 9.13 | U32088 |
| UFTC 6.2.4 | FIXED TYPE COMPARTMENT | 600×200×400 | 355 | 5.77 | U32090 |
| UFTC 6.3.4 | FIXED TYPE COMPARTMENT | 600×300×400 | 355 | 6.89 | U32091 |
| UFTC 6.4.4 | FIXED TYPE COMPARTMENT | 600×400×400 | 355 | 8.01 | U32092 |
| UFTC 6.5.4 | FIXED TYPE COMPARTMENT | 600×500×400 | 355 | 8.94 | U32093 |
| UFTC 6.6.4 | FIXED TYPE COMPARTMENT | 600×600×400 | 355 | 10.25 | U32094 |



GLAND PLATES ■ (FOR FTC)

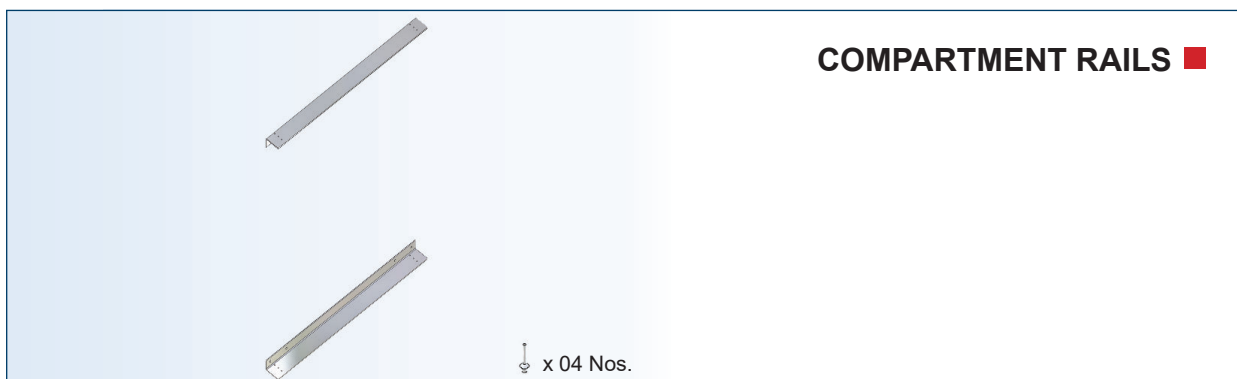
| CAT. No. | DESCRIPTION | SIZE (W) | WEIGHT (kg) | ORDER No. |
|----------|---------------------------|----------|-------------|-----------|
| USGPF | STEEL GLAND PLATE | 125×200 | 0.32 | U31978 |
| UPGPF | POLYCARBONATE GLAND PLATE | 125×200 | 0.08 | U31979 |





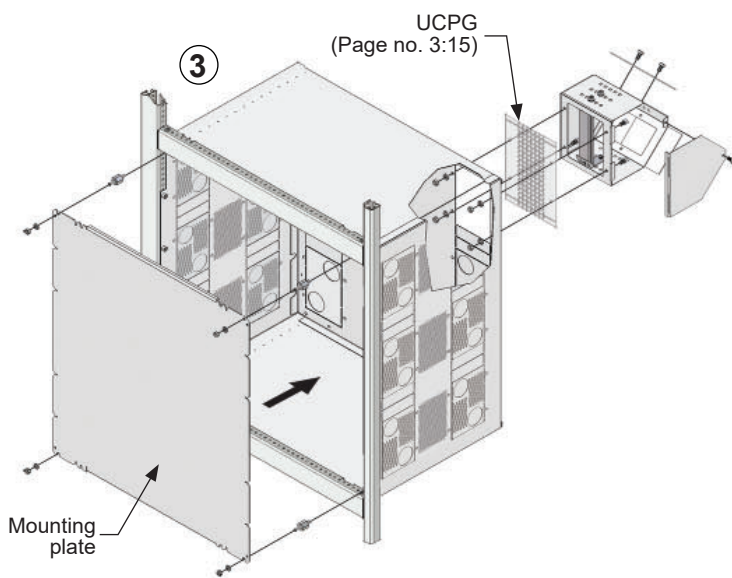
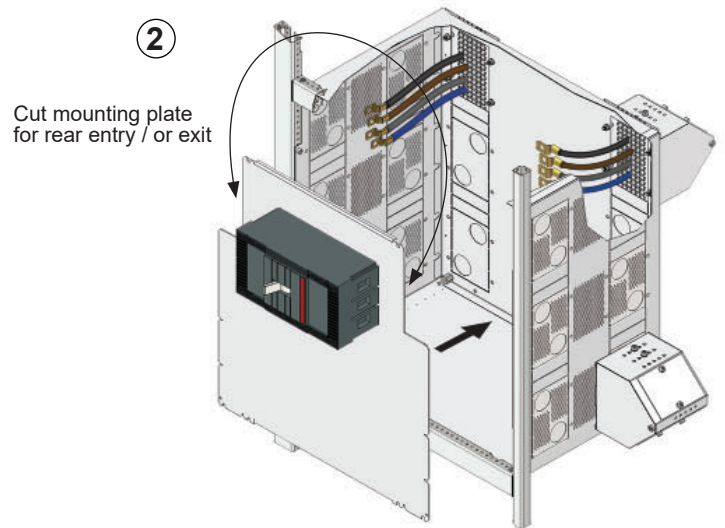
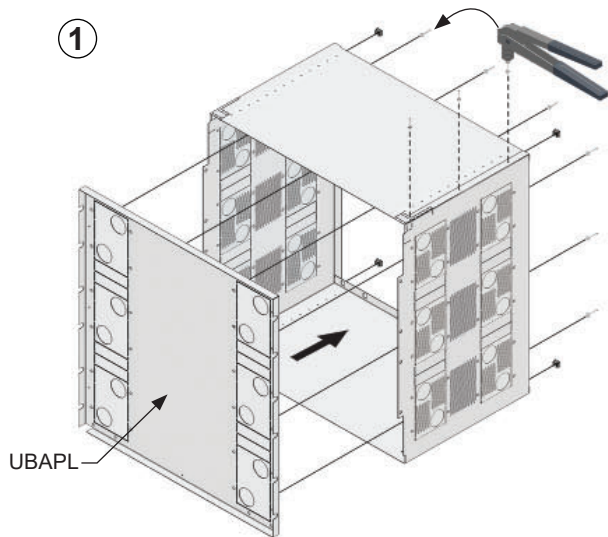
BACK PLATE ■ (FOR UFTC)

| CAT. No. | DESCRIPTION | SIZE (W×H) | WEIGHT (kg) | ORDER No. |
|-----------|-------------|------------|-------------|-----------|
| UBAPL 4.2 | BACK PLATE | 400×200 | 0.78 | U31980 |
| UBAPL 4.3 | BACK PLATE | 400×300 | 1.05 | U31981 |
| UBAPL 4.4 | BACK PLATE | 400×400 | 1.34 | U31982 |
| UBAPL 4.5 | BACK PLATE | 400×500 | 1.71 | U31983 |
| UBAPL 4.6 | BACK PLATE | 400×600 | 1.92 | U31984 |
| UBAPL 6.2 | BACK PLATE | 600×200 | 1.17 | U31986 |
| UBAPL 6.3 | BACK PLATE | 600×300 | 1.56 | U31987 |
| UBAPL 6.4 | BACK PLATE | 600×400 | 1.73 | U31988 |
| UBAPL 6.5 | BACK PLATE | 600×500 | 1.98 | U31989 |
| UBAPL 6.6 | BACK PLATE | 600×600 | 2.29 | U31990 |

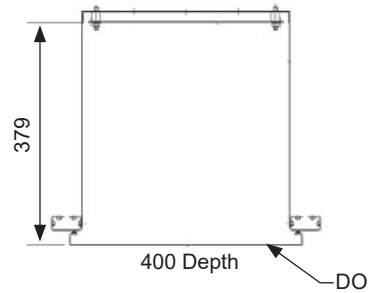
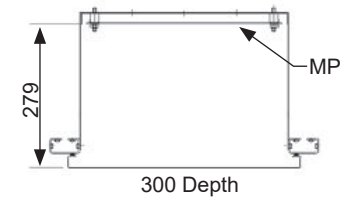
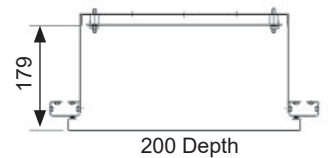


COMPARTMENT RAILS ■

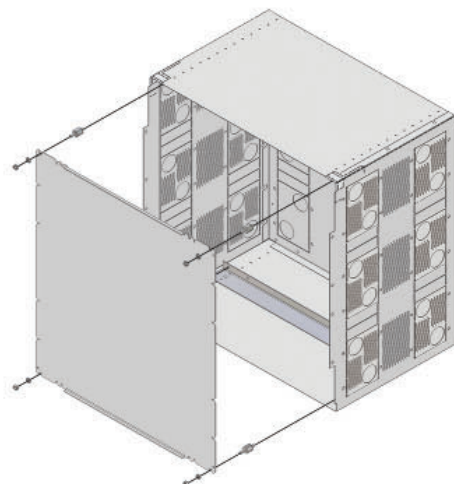
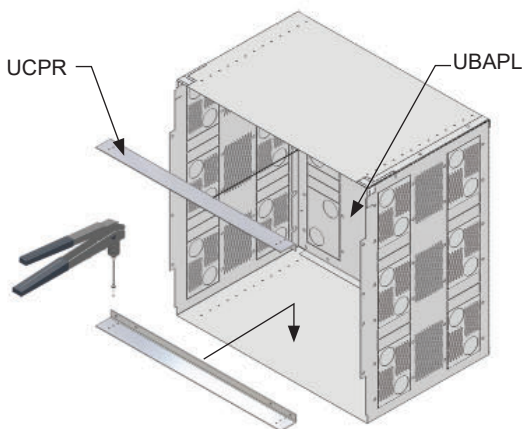
| CAT. No. | DESCRIPTION | SIZE (W) | WEIGHT (kg) | ORDER No. RAL 9010 SMF |
|----------|-------------------|----------|-------------|---------------------------|
| UCPR 4 | COMPARTMENT RAILS | 400 | 0.42 | U31880 |
| UCPR 6 | COMPARTMENT RAILS | 600 | 0.69 | U31883 |



Maximum usable depth



Adjustable Mounting Plate



SUPERFLEX INSERT ■

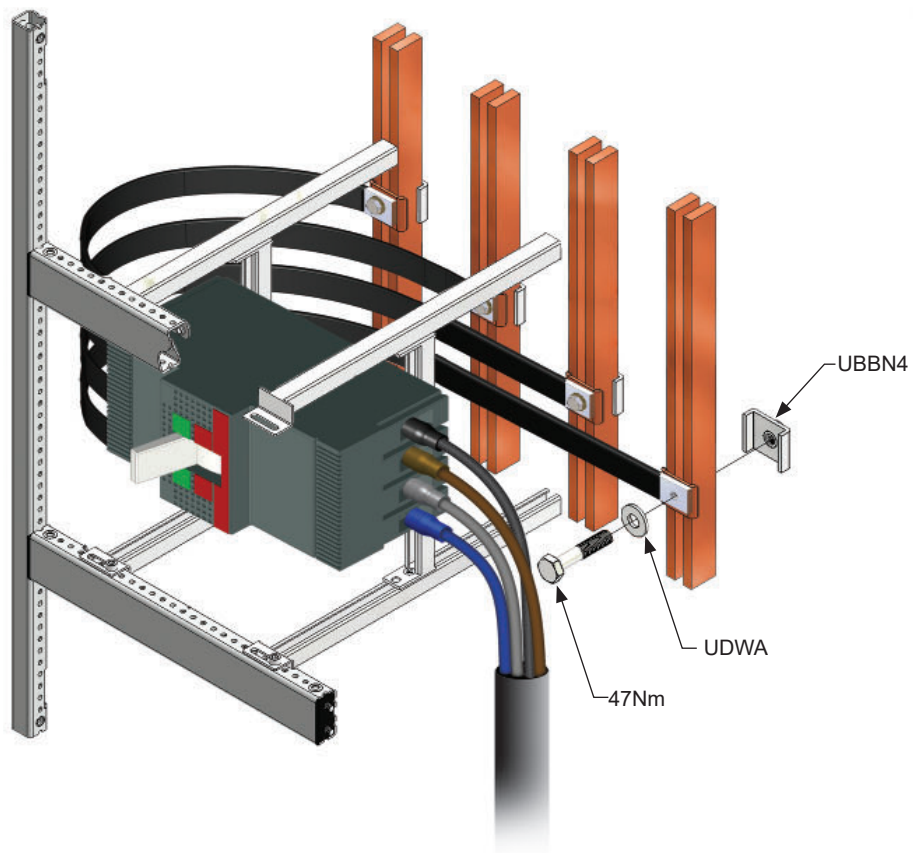
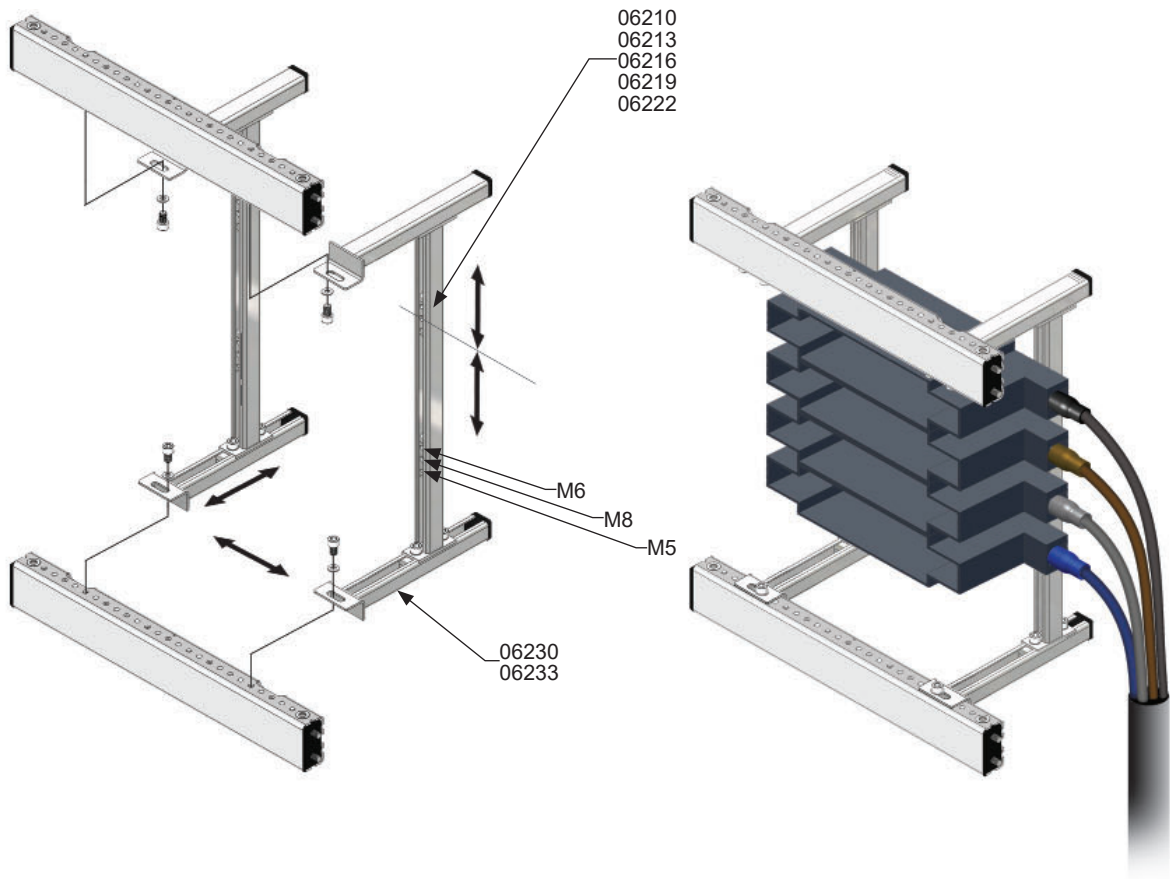


| CAT. No. | DESCRIPTION | SIZE (H×D) | WEIGHT (kg) | ORDER No. |
|----------|------------------|------------|-------------|-----------|
| USFI 2.2 | SUPERFLEX INSERT | 200 × 140 | 0.99 | U30700 |
| USFI 3.2 | SUPERFLEX INSERT | 300 × 140 | 1.13 | U30705 |
| USFI 4.2 | SUPERFLEX INSERT | 400 × 140 | 1.26 | U30710 |
| USFI 6.2 | SUPERFLEX INSERT | 600 × 140 | 1.55 | U30715 |
| USFI 8.2 | SUPERFLEX INSERT | 800 × 140 | 1.82 | U30720 |
| USFI 2.4 | SUPERFLEX INSERT | 200 × 340 | 1.55 | U30750 |
| USFI 3.4 | SUPERFLEX INSERT | 300 × 340 | 1.68 | U30755 |
| USFI 4.4 | SUPERFLEX INSERT | 400 × 340 | 1.81 | U30760 |
| USFI 6.4 | SUPERFLEX INSERT | 600 × 340 | 2.10 | U30765 |
| USFI 8.4 | SUPERFLEX INSERT | 800 × 340 | 2.37 | U30770 |

Combine with DIN rail insert



FIXED TYPE INSERTS

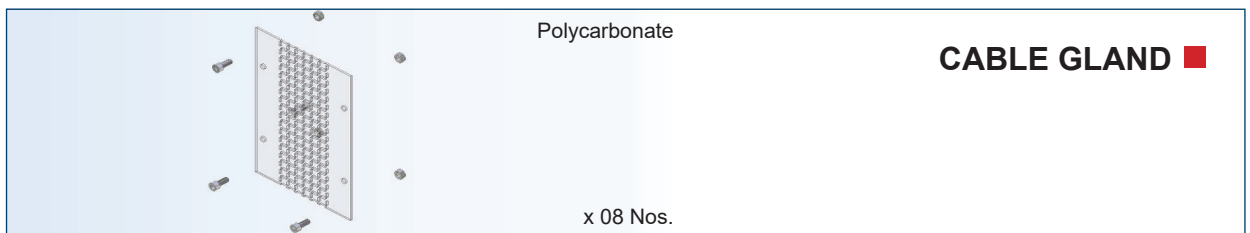




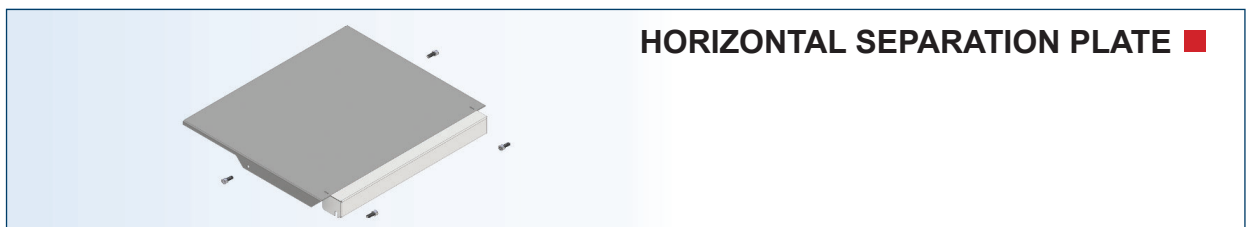
FIXED TYPE INSERTS



| CAT. No. | DESCRIPTION | SIZE (W×H) | WEIGHT (kg) | ORDER No. Alu zinc |
|-----------|---------------------------|------------|-------------|-----------------------|
| UVSP 2.8 | VERTICAL SEPARATION PLATE | 200 × 800 | 1.35 | U34405 |
| UVSP 2.10 | VERTICAL SEPARATION PLATE | 200 × 1000 | 1.69 | U34406 |
| UVSP 2.12 | VERTICAL SEPARATION PLATE | 200 × 1200 | 2.03 | U34407 |
| UVSP 2.14 | VERTICAL SEPARATION PLATE | 200 × 1400 | 2.37 | U34408 |
| UVSP 2.16 | VERTICAL SEPARATION PLATE | 200 × 1600 | 2.71 | U34409 |
| UVSP 2.18 | VERTICAL SEPARATION PLATE | 200 × 1800 | 2.90 | U34410 |
| UVSP 2.20 | VERTICAL SEPARATION PLATE | 200 × 2000 | 3.22 | U34411 |
| UVSP 2.22 | VERTICAL SEPARATION PLATE | 200 × 2200 | 3.53 | U34413 |
| UVSP 3.8 | VERTICAL SEPARATION PLATE | 300 × 800 | 2.03 | U34515 |
| UVSP 3.10 | VERTICAL SEPARATION PLATE | 300 × 1000 | 2.54 | U34516 |
| UVSP 3.12 | VERTICAL SEPARATION PLATE | 300 × 1200 | 3.05 | U34517 |
| UVSP 3.14 | VERTICAL SEPARATION PLATE | 300 × 1400 | 3.56 | U34518 |
| UVSP 3.16 | VERTICAL SEPARATION PLATE | 300 × 1600 | 4.07 | U34519 |
| UVSP 3.18 | VERTICAL SEPARATION PLATE | 300 × 1800 | 4.35 | U34520 |
| UVSP 3.20 | VERTICAL SEPARATION PLATE | 300 × 2000 | 4.83 | U34521 |
| UVSP 3.22 | VERTICAL SEPARATION PLATE | 300 × 2200 | 5.30 | U34523 |
| UVSP 4.8 | VERTICAL SEPARATION PLATE | 400 × 800 | 2.55 | U34395 |
| UVSP 4.10 | VERTICAL SEPARATION PLATE | 400 × 1000 | 3.33 | U34396 |
| UVSP 4.12 | VERTICAL SEPARATION PLATE | 400 × 1200 | 4.11 | U34397 |
| UVSP 4.14 | VERTICAL SEPARATION PLATE | 400 × 1400 | 4.89 | U34398 |
| UVSP 4.16 | VERTICAL SEPARATION PLATE | 400 × 1600 | 5.46 | U34399 |
| UVSP 4.18 | VERTICAL SEPARATION PLATE | 400 × 1800 | 5.82 | U34400 |
| UVSP 4.20 | VERTICAL SEPARATION PLATE | 400 × 2000 | 6.89 | U34401 |
| UVSP 4.22 | VERTICAL SEPARATION PLATE | 400 × 2200 | 7.63 | U34403 |

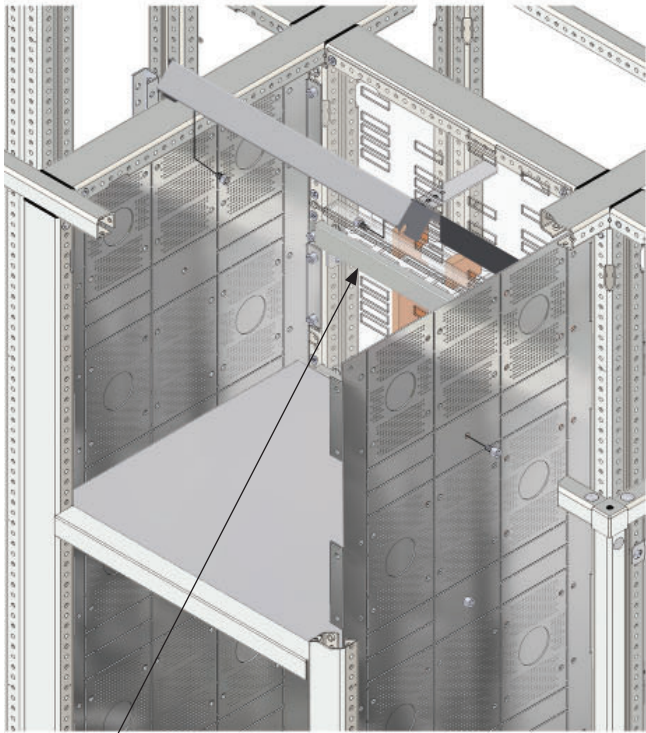


| CAT. No. | DESCRIPTION | SIZE (W×H) | WEIGHT (kg) | ORDER No. |
|----------|-------------|------------|-------------|-----------|
| UCG VP | CABLE GLAND | 110 × 200 | 0.007 | U34501 |

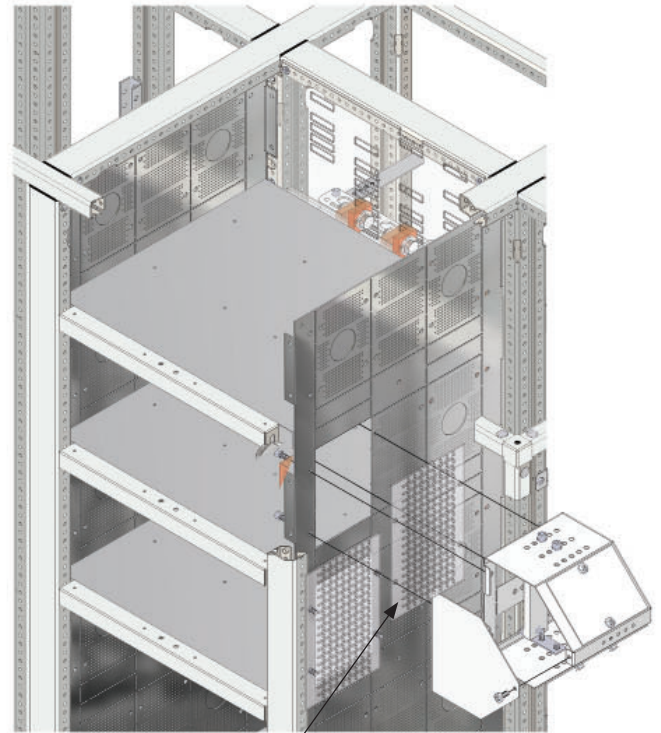


| CAT. No. | DESCRIPTION | SIZE (W×D) | WEIGHT (kg) | VERSION 3 ORDER No. RAL 7035 FTF. |
|----------|-----------------------------|------------|-------------|---|
| UHSP 4.2 | HORIZONTAL SEPARATION PLATE | 400 × 200 | 0.96 | U34704 |
| UHSP 4.3 | HORIZONTAL SEPARATION PLATE | 400 × 300 | 1.44 | U34714 |
| UHSP 4.4 | HORIZONTAL SEPARATION PLATE | 400 × 400 | 1.81 | U34724 |
| UHSP 6.2 | HORIZONTAL SEPARATION PLATE | 600 × 200 | 1.44 | U34764 |
| UHSP 6.3 | HORIZONTAL SEPARATION PLATE | 600 × 300 | 2.16 | U34774 |
| UHSP 6.4 | HORIZONTAL SEPARATION PLATE | 600 × 400 | 2.69 | U34784 |

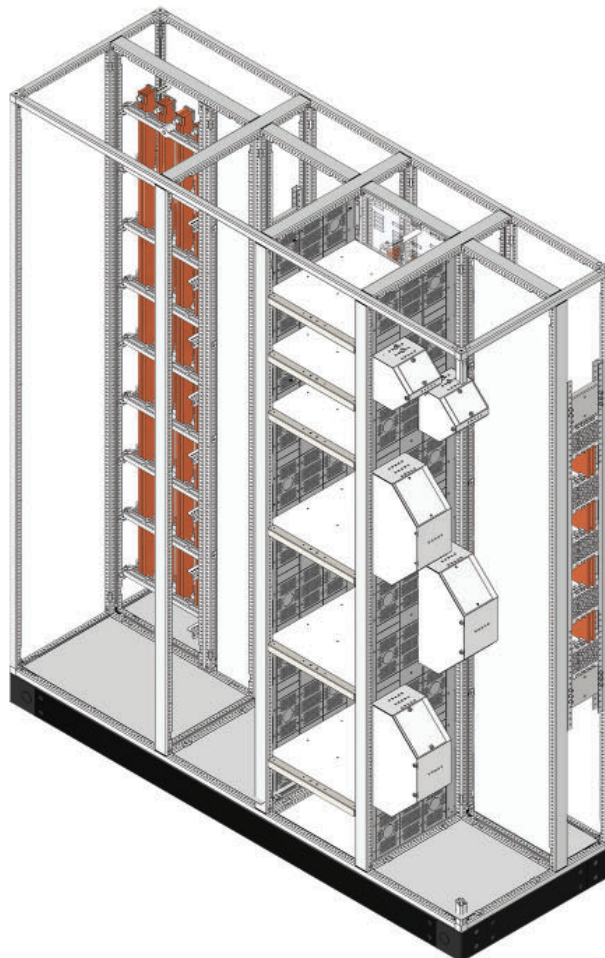
Version 3

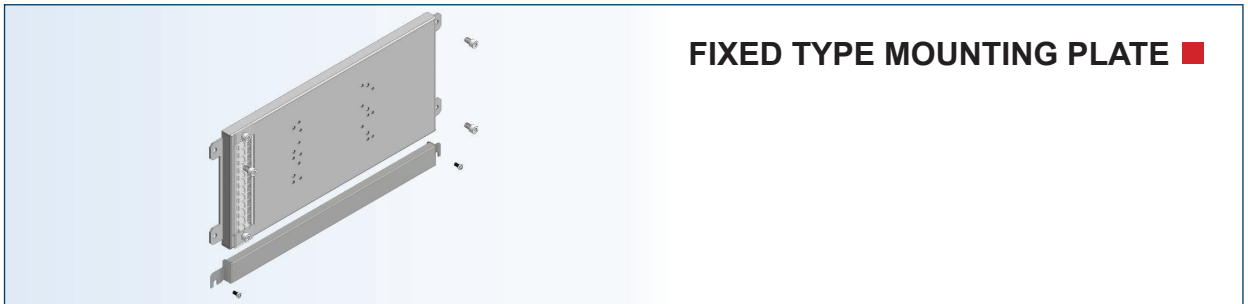


06333



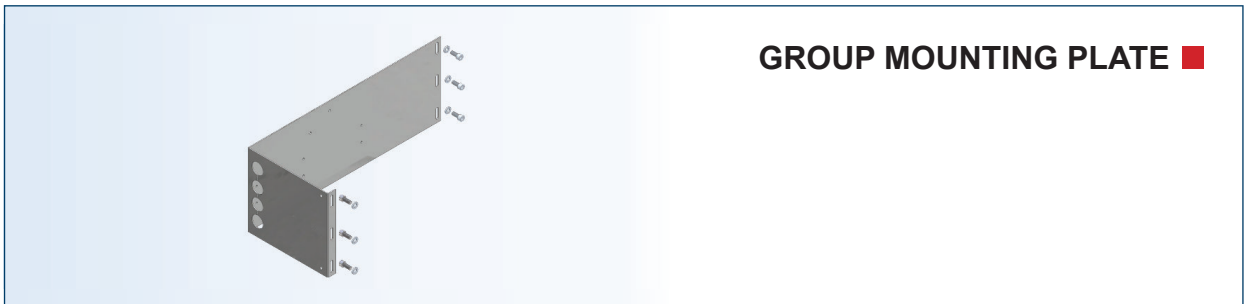
UCG VP





FIXED TYPE MOUNTING PLATE ■

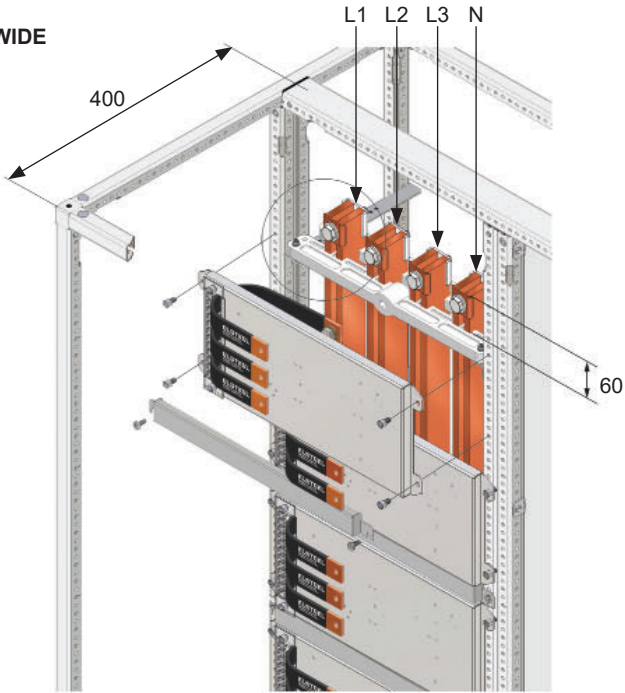
| CAT. No. | DESCRIPTION | SIZE (W×H) | WEIGHT (kg) | ORDER No. Alu-zinc |
|----------|---------------------------|------------|-------------|-----------------------|
| UFTM 4.2 | FIXED TYPE MOUNTING PLATE | 400 × 200 | 1.21 | U34200 |
| UFTM 4.3 | FIXED TYPE MOUNTING PLATE | 400 × 300 | 1.98 | U34205 |
| UFTM 4.4 | FIXED TYPE MOUNTING PLATE | 400 × 400 | 2.27 | U34210 |
| UFTM 4.6 | FIXED TYPE MOUNTING PLATE | 400 × 600 | 3.42 | U34220 |
| UFTM 6.2 | FIXED TYPE MOUNTING PLATE | 600 × 200 | 1.87 | U34350 |
| UFTM 6.3 | FIXED TYPE MOUNTING PLATE | 600 × 300 | 2.43 | U34355 |
| UFTM 6.4 | FIXED TYPE MOUNTING PLATE | 600 × 400 | 3.53 | U34360 |
| UFTM 6.6 | FIXED TYPE MOUNTING PLATE | 600 × 600 | 5.28 | U34370 |



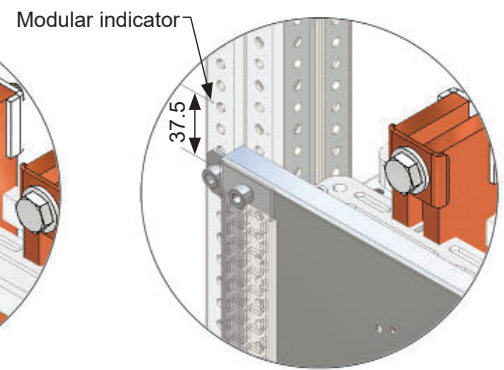
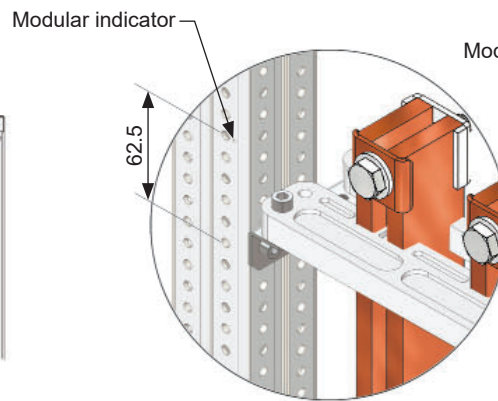
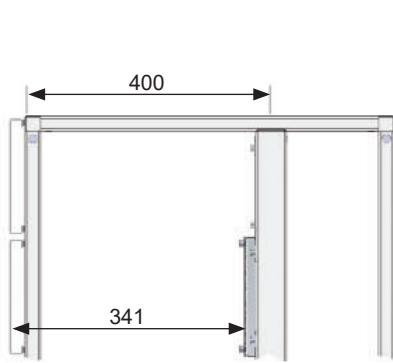
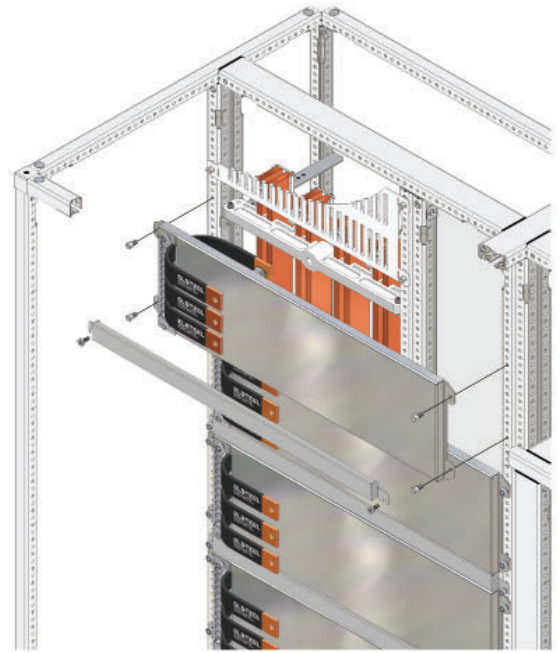
GROUP MOUNTING PLATE ■

| CAT. No. | DESCRIPTION | SIZE (W×H×D) | WEIGHT (kg) | ORDER No. Alu-zinc |
|------------|----------------------|-----------------|-------------|-----------------------|
| UGMP 4.75 | GROUP MOUNTING PLATE | 400 × 75 × 250 | 0.78 | U34335 |
| UGMP 4.80 | GROUP MOUNTING PLATE | 400 × 80 × 250 | 0.83 | U34336 |
| UGMP 4.105 | GROUP MOUNTING PLATE | 400 × 105 × 250 | 1.09 | U34337 |
| UGMP 4.140 | GROUP MOUNTING PLATE | 400 × 140 × 250 | 1.46 | U34338 |
| UGMP 4.185 | GROUP MOUNTING PLATE | 400 × 185 × 250 | 1.93 | U34339 |
| UGMP 6.150 | GROUP MOUNTING PLATE | 600 × 150 × 250 | 2.04 | U34340 |
| UGMP 6.200 | GROUP MOUNTING PLATE | 600 × 200 × 250 | 2.72 | U34341 |
| UGMP 6.225 | GROUP MOUNTING PLATE | 600 × 225 × 250 | 3.06 | U34342 |

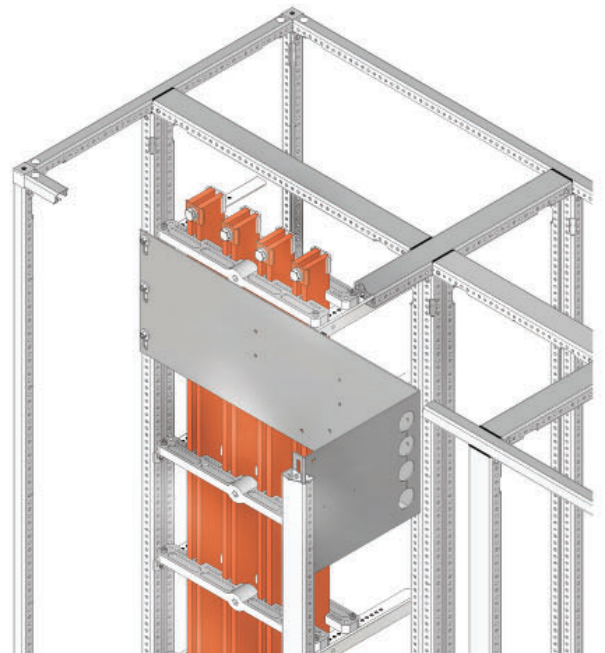
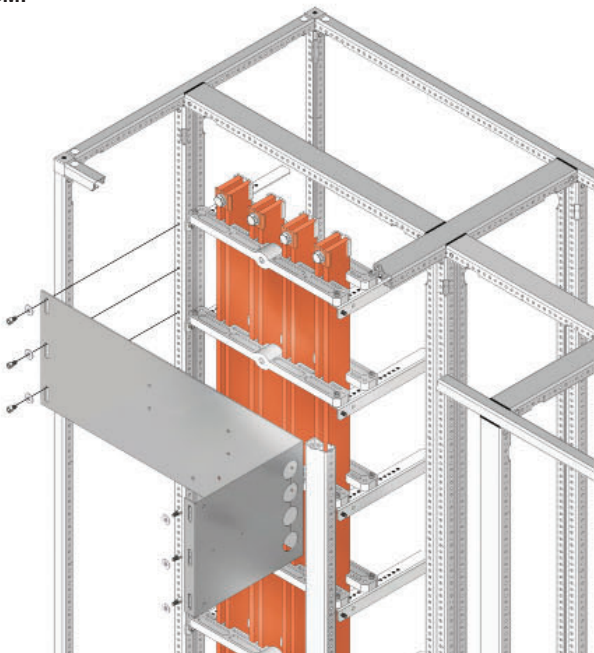
UFTM
400 WIDE

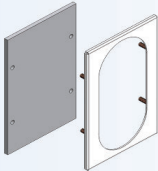
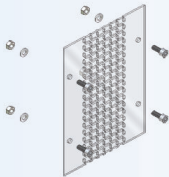


600 WIDE



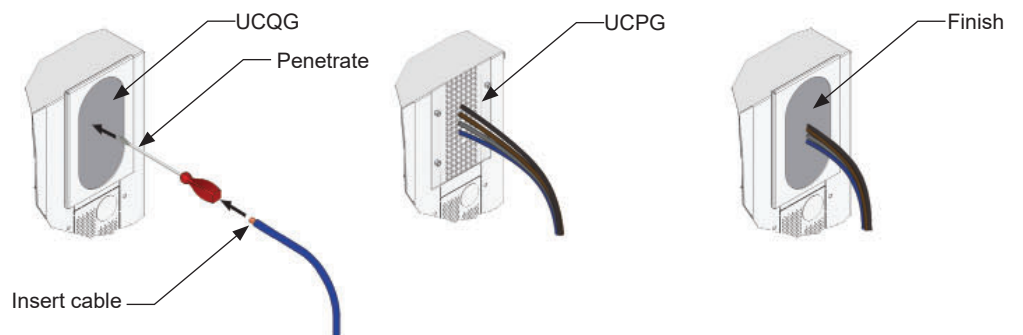
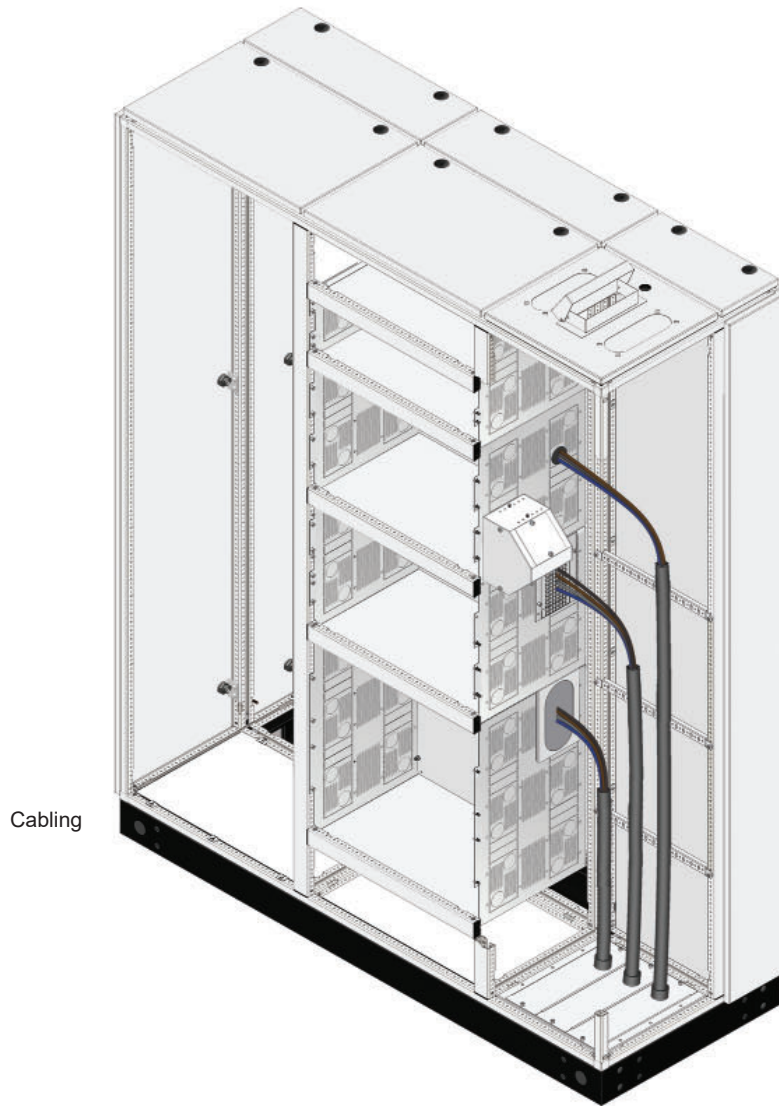
UGMP

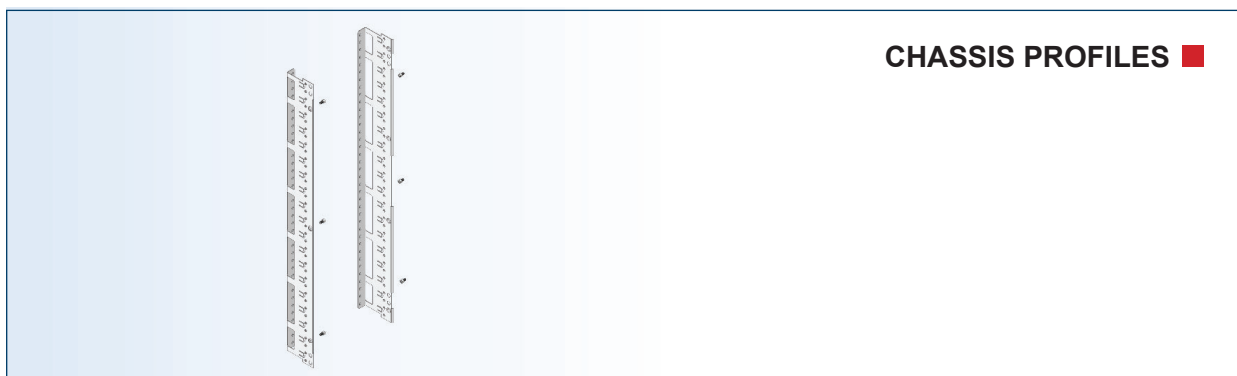


| 34550 |  | GLAND PLATES ■ (FOR VERTICAL SEPARATION PLATE) | | |
|---------------|---|---|-------------|-----------|
| Quick gland | | | | |
| 34565 |  | | | |
| Polycarbonate | | | | |
| CAT. No. | DESCRIPTION | SIZE | WEIGHT (kg) | ORDER No. |
| UCQG | QUICK GLAND | 125 × 200 | 0.17 | U34550 |
| UCPG | POLYCARBONATE GLAND PLATE | 125 × 200 | 0.08 | U34565 |



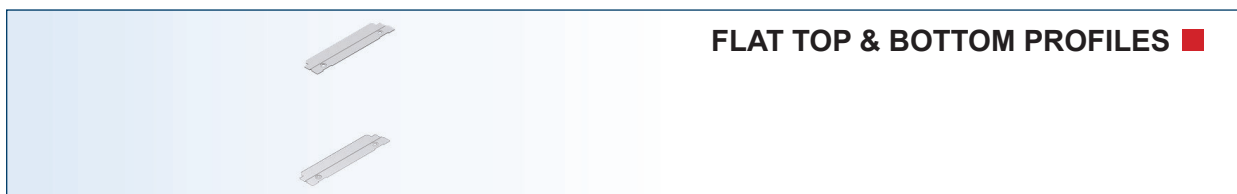
FIXED TYPE INSERTS





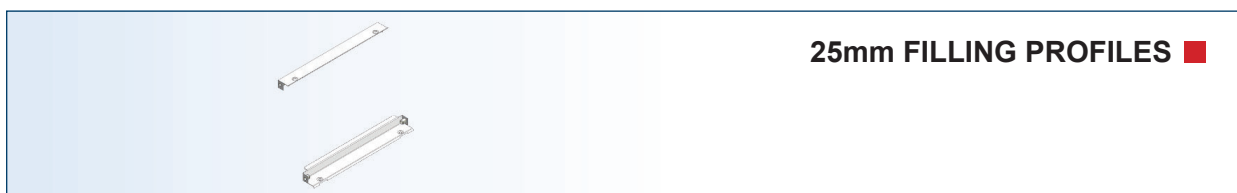
CHASSIS PROFILES ■

| CAT. No. | DESCRIPTION | MODULAR SIZE | WEIGHT (kg) | ORDER No. Alu zinc RAL 9010 SMF. | ORDER No. Alu zinc RAL 7035 FTF. |
|----------|------------------|--------------|-------------|--|--|
| UCPDB 2 | CHASSIS PROFILES | 200 | 0.3 | U65250 | U65274 |
| UCPDB 4 | CHASSIS PROFILES | 400 | 1.1 | U65260 | U65191 |
| UCPDB 6 | CHASSIS PROFILES | 600 | 2.3 | U65261 | U65192 |
| UCPDB 8 | CHASSIS PROFILES | 800 | 2.5 | U65262 | U65193 |
| UCPDB 10 | CHASSIS PROFILES | 1000 | 2.8 | U65263 | U65194 |
| UCPDB 12 | CHASSIS PROFILES | 1200 | 3.1 | U65264 | U65195 |
| UCPDB 14 | CHASSIS PROFILES | 1400 | 3.3 | U65270 | U65196 |
| UCPDB 16 | CHASSIS PROFILES | 1600 | 4.2 | U65271 | U65197 |
| UCPDB 18 | CHASSIS PROFILES | 1800 | 4.6 | U65272 | U65198 |
| UCPDB 20 | CHASSIS PROFILES | 2000 | 5.1 | U65273 | U65199 |



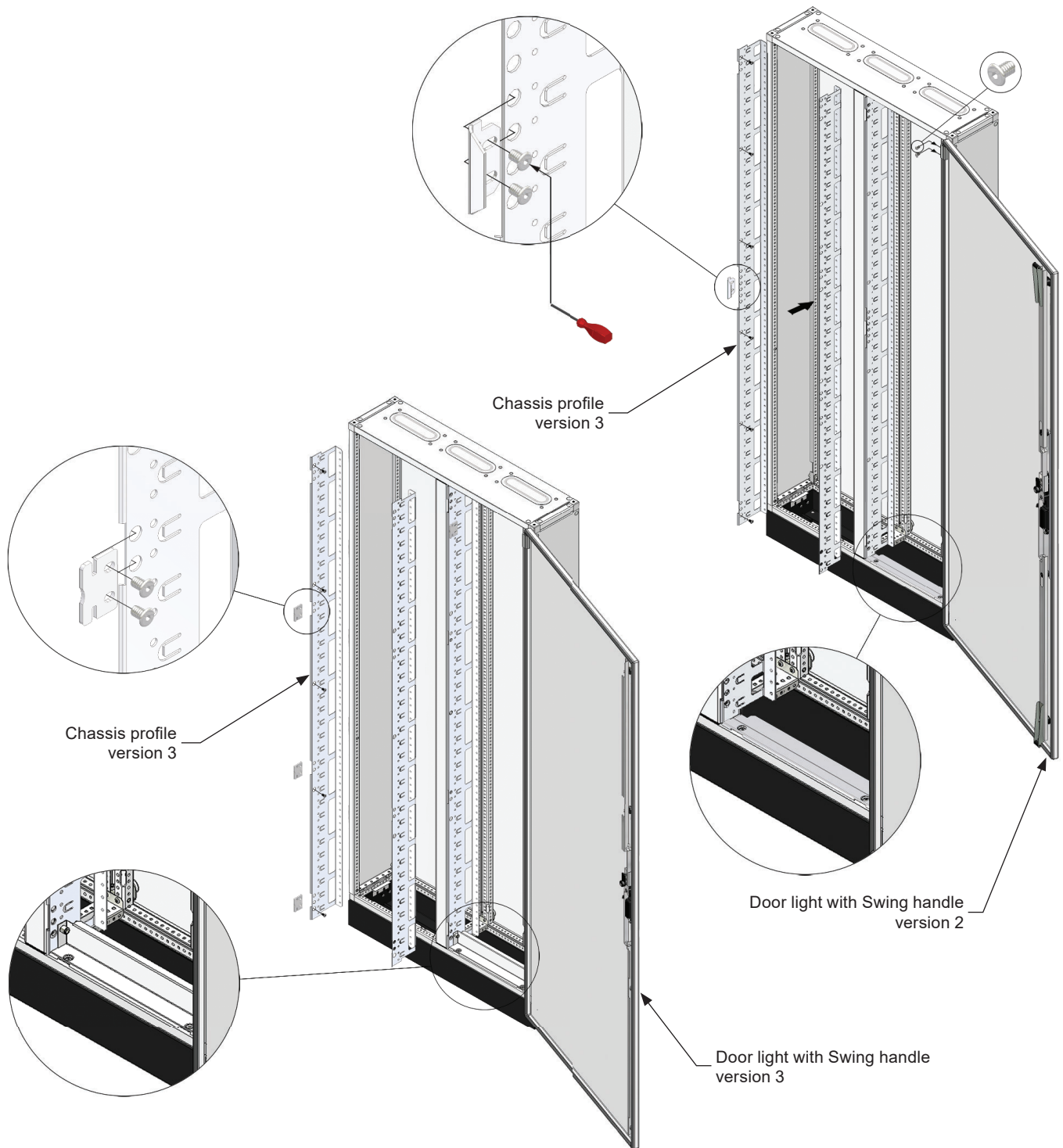
FLAT TOP & BOTTOM PROFILES ■

| CAT. No. | DESCRIPTION | MODULAR SIZE (W) | WEIGHT (kg) | ORDER No. RAL RAL 9010 SMF. | ORDER No. RAL RAL 7035 FTF. |
|----------|----------------------------|------------------|-------------|--------------------------------|--------------------------------|
| UTBPDB 3 | FLAT TOP & BOTTOM PROFILES | 300 | 0.21 | U65265 | U65285 |
| UTBPDB 4 | FLAT TOP & BOTTOM PROFILES | 400 | 0.30 | U65266 | U65286 |
| UTBPDB 5 | FLAT TOP & BOTTOM PROFILES | 500 | 0.40 | U65267 | U65287 |
| UTBPDB 6 | FLAT TOP & BOTTOM PROFILES | 600 | 0.51 | U65268 | U65288 |
| UTBPDB 8 | FLAT TOP & BOTTOM PROFILES | 800 | 0.68 | U65269 | U65289 |

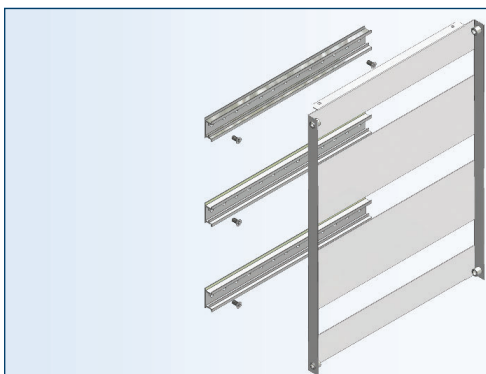


25mm FILLING PROFILES ■

| CAT. No. | DESCRIPTION | MODULAR SIZE (W) | WEIGHT (kg) | ORDER No. RAL RAL 9010 SMF. | ORDER No. RAL RAL 7035 FTF. |
|----------|-----------------------|------------------|-------------|--------------------------------|--------------------------------|
| UFLPDB 3 | 25mm FILLING PROFILES | 300 | 0.22 | U65291 | U65475 |
| UFLPDB 4 | 25mm FILLING PROFILES | 400 | 0.30 | U65292 | U65476 |
| UFLPDB 5 | 25mm FILLING PROFILES | 500 | 0.37 | U65293 | U65477 |
| UFLPDB 6 | 25mm FILLING PROFILES | 600 | 0.45 | U65294 | U65478 |
| UFLPDB 8 | 25mm FILLING PROFILES | 800 | 0.37 | U65295 | U65479 |

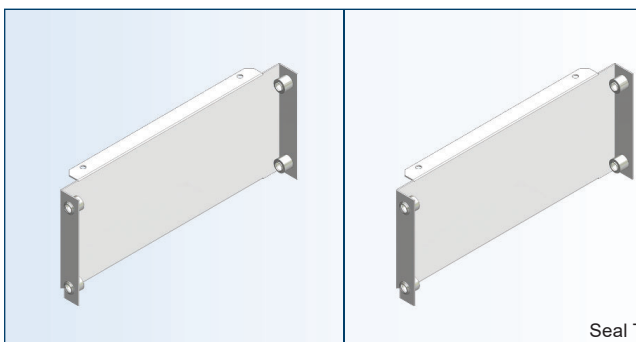


| DIN INSERTS | | | | | | | | |
|--------------|-----------------------|-----------------------|-----------------------|-----------------------|-----------------------|-----------------------|-----------------------|-----------------------|
| PANEL HEIGHT | 300×150 ROWS+UNITS | 400×150 ROWS+UNITS | 500×150 ROWS+UNITS | 600×150 ROWS+UNITS | 300×200 ROWS+UNITS | 400×200 ROWS+UNITS | 500×200 ROWS+UNITS | 600×200 ROWS+UNITS |
| 200 | 1 × 12 | 1 × 18 | 1 × 23 | 1 × 29 | - | - | - | - |
| 400 | 2 × 24 | 2 × 36 | 2 × 46 | 2 × 58 | 1 × 12 | 1 × 18 | 1 × 23 | 1 × 29 |
| 600 | 3 × 39 | 3 × 57 | 3 × 72 | 3 × 90 | 2 × 24 | 2 × 36 | 2 × 46 | 2 × 58 |
| 800 | 5 × 60 | 5 × 90 | 5 × 115 | 5 × 145 | 3 × 36 | 3 × 54 | 3 × 69 | 3 × 87 |
| 1000 | 6 × 72 | 6 × 108 | 6 × 138 | 6 × 174 | 4 × 48 | 4 × 72 | 4 × 92 | 4 × 116 |
| 1200 | 7 × 84 | 7 × 126 | 7 × 161 | 7 × 203 | 5 × 60 | 5 × 90 | 5 × 115 | 5 × 145 |
| 1400 | 9 × 108 | 9 × 162 | 9 × 207 | 9 × 261 | 6 × 72 | 6 × 108 | 6 × 138 | 6 × 174 |
| 1600 | 10 × 120 | 10 × 180 | 10 × 230 | 10 × 290 | 7 × 84 | 7 × 126 | 7 × 161 | 7 × 203 |
| 1800 | 11 × 132 | 11 × 198 | 11 × 253 | 11 × 319 | 8 × 96 | 8 × 144 | 8 × 184 | 8 × 232 |
| 2000 | 13 × 156 | 13 × 234 | 13 × 299 | 13 × 377 | 9 × 108 | 9 × 162 | 9 × 207 | 9 × 261 |



STEEL DIN RAIL INSERT ■ (FOR CHASSIS PROFILE)

| CAT. No. | DESCRIPTION | ROWS xUNITS | SIZE (WxH) | WEIGHT (kg) | ORDER No. RAL 9010 SMF. |
|------------|-----------------------|-------------|------------|-------------|-------------------------|
| UDIDB 3.15 | STEEL DIN RAIL INSERT | 1 x 12 | 300 x 150 | 0.40 | U65305 |
| UDIDB 3.20 | STEEL DIN RAIL INSERT | 1 x 12 | 300 x 200 | 0.52 | U65315 |
| UDIDB 3.30 | STEEL DIN RAIL INSERT | 2 x 12 | 300 x 300 | 0.78 | U65375 |
| UDIDB 3.45 | STEEL DIN RAIL INSERT | 3 x 12 | 300 x 450 | 1.20 | U65450 |
| UDIDB 4.15 | STEEL DIN RAIL INSERT | 1 x 18 | 400 x 150 | 0.51 | U65300 |
| UDIDB 4.20 | STEEL DIN RAIL INSERT | 1 x 18 | 400 x 200 | 0.75 | U65310 |
| UDIDB 4.30 | STEEL DIN RAIL INSERT | 2 x 18 | 400 x 300 | 1.04 | U65380 |
| UDIDB 4.45 | STEEL DIN RAIL INSERT | 3 x 18 | 400 x 450 | 1.53 | U65455 |
| UDIDB 5.15 | STEEL DIN RAIL INSERT | 1 x 23 | 500 x 150 | 0.67 | U65325 |
| UDIDB 5.20 | STEEL DIN RAIL INSERT | 1 x 23 | 500 x 200 | 0.86 | U65335 |
| UDIDB 5.30 | STEEL DIN RAIL INSERT | 2 x 23 | 500 x 300 | 1.30 | U65385 |
| UDIDB 5.45 | STEEL DIN RAIL INSERT | 3 x 23 | 500 x 450 | 2.01 | U65460 |
| UDIDB 6.15 | STEEL DIN RAIL INSERT | 1 x 29 | 600 x 150 | 0.83 | U65320 |
| UDIDB 6.20 | STEEL DIN RAIL INSERT | 1 x 29 | 600 x 200 | 1.04 | U65330 |
| UDIDB 6.30 | STEEL DIN RAIL INSERT | 2 x 29 | 600 x 300 | 1.56 | U65390 |
| UDIDB 6.45 | STEEL DIN RAIL INSERT | 3 x 29 | 600 x 450 | 2.49 | U65465 |



STEEL BLANK FRONT PLATE ■ (FOR CHASSIS PROFILE)

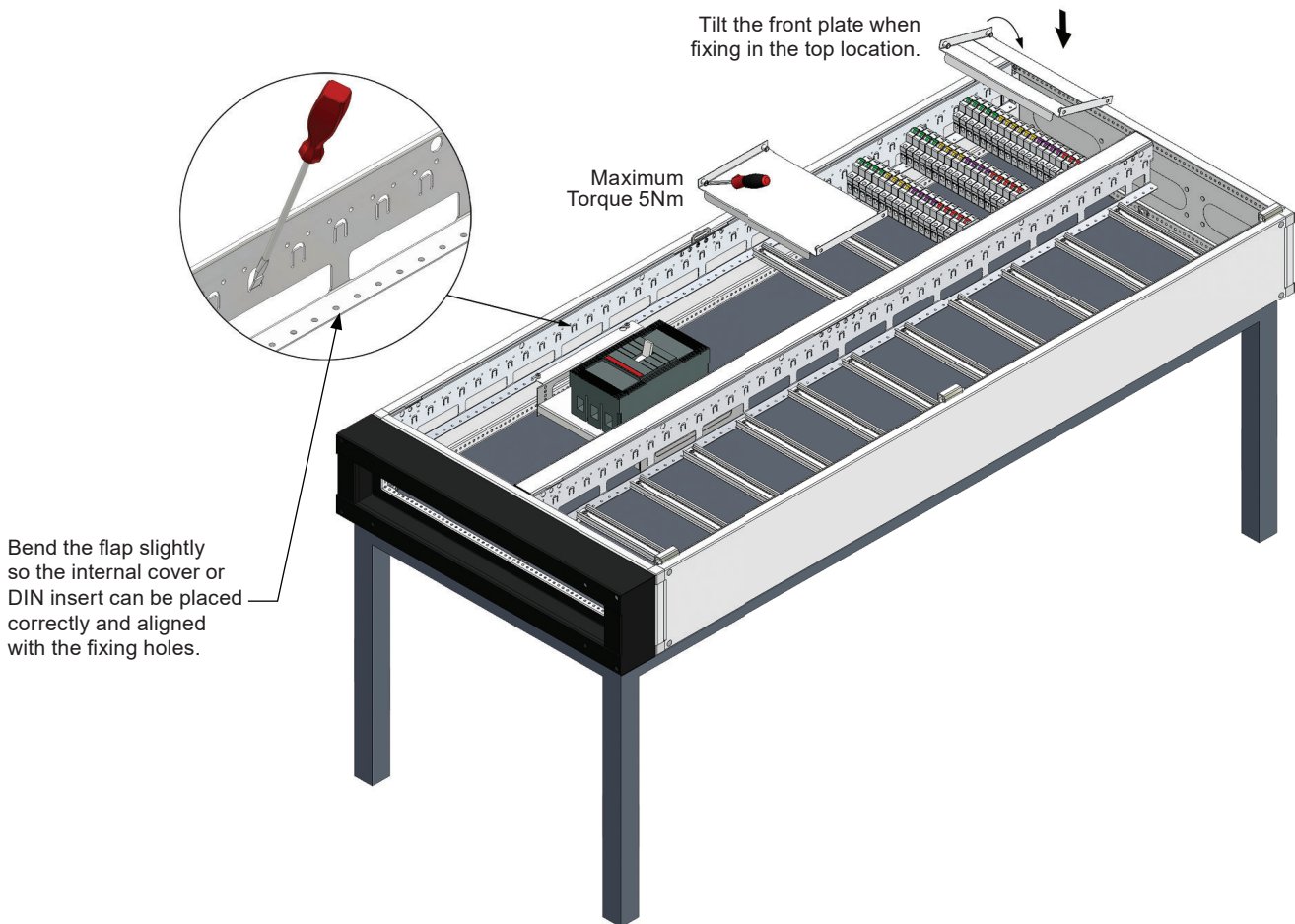
Seal Type

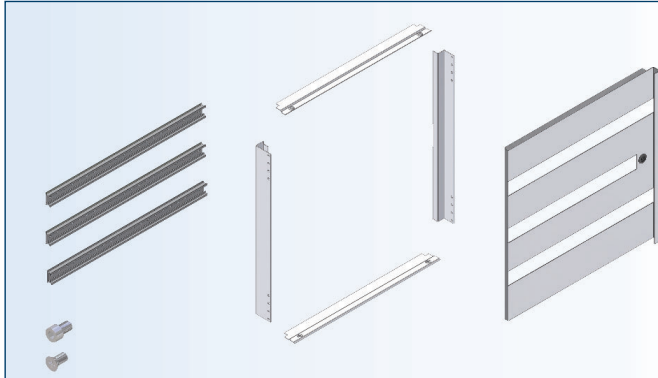
| CAT. No. | DESCRIPTION | SIZE (WxH) | WEIGHT (kg) | ORDER No. RAL 9010 SMF. | ORDER No. SEAL TYPE RAL 9010 SMF. |
|------------|-------------------------|------------|-------------|-------------------------|-----------------------------------|
| UBFDB 3.5 | STEEL BLANK FRONT PLATE | 300 x 50 | 0.13 | U65543 | - |
| UBFDB 3.10 | STEEL BLANK FRONT PLATE | 300 x 100 | 0.26 | U65544 | - |
| UBFDB 3.15 | STEEL BLANK FRONT PLATE | 300 x 150 | 0.39 | U65545 | U65554 |
| UBFDB 3.20 | STEEL BLANK FRONT PLATE | 300 x 200 | 0.52 | U65546 | U65548 |
| UBFDB 3.30 | STEEL BLANK FRONT PLATE | 300 x 300 | 0.83 | U65550 | U65552 |
| UBFDB 3.45 | STEEL BLANK FRONT PLATE | 300 x 450 | 1.17 | U65555 | U65557 |
| UBFDB 3.60 | STEEL BLANK FRONT PLATE | 300 x 600 | 1.56 | U65560 | U65562 |
| UBFDB 4.5 | STEEL BLANK FRONT PLATE | 400 x 50 | 0.19 | U65498 | - |
| UBFDB 4.10 | STEEL BLANK FRONT PLATE | 400 x 100 | 0.37 | U65499 | - |
| UBFDB 4.15 | STEEL BLANK FRONT PLATE | 400 x 150 | 0.56 | U65500 | U65502 |
| UBFDB 4.20 | STEEL BLANK FRONT PLATE | 400 x 200 | 0.69 | U65501 | U65503 |
| UBFDB 4.30 | STEEL BLANK FRONT PLATE | 400 x 300 | 1.02 | U65505 | U65507 |
| UBFDB 4.45 | STEEL BLANK FRONT PLATE | 400 x 450 | 1.53 | U65510 | U65512 |
| UBFDB 4.60 | STEEL BLANK FRONT PLATE | 400 x 600 | 2.05 | U65515 | U65517 |
| UBFDB 5.5 | STEEL BLANK FRONT PLATE | 500 x 50 | 0.23 | U65563 | - |
| UBFDB 5.10 | STEEL BLANK FRONT PLATE | 500 x 100 | 0.46 | U65564 | - |
| UBFDB 5.15 | STEEL BLANK FRONT PLATE | 500 x 150 | 0.69 | U65565 | - |
| UBFDB 5.20 | STEEL BLANK FRONT PLATE | 500 x 200 | 0.86 | U65566 | - |
| UBFDB 5.30 | STEEL BLANK FRONT PLATE | 500 x 300 | 1.28 | U65570 | - |
| UBFDB 5.45 | STEEL BLANK FRONT PLATE | 500 x 450 | 2.08 | U65575 | - |
| UBFDB 5.60 | STEEL BLANK FRONT PLATE | 500 x 600 | 2.78 | U65580 | - |
| UBFDB 6.5 | STEEL BLANK FRONT PLATE | 600 x 50 | 0.25 | U65518 | - |
| UBFDB 6.10 | STEEL BLANK FRONT PLATE | 600 x 100 | 0.51 | U65519 | - |
| UBFDB 6.15 | STEEL BLANK FRONT PLATE | 600 x 150 | 0.76 | U65520 | - |
| UBFDB 6.20 | STEEL BLANK FRONT PLATE | 600 x 200 | 1.03 | U65521 | - |
| UBFDB 6.30 | STEEL BLANK FRONT PLATE | 600 x 300 | 1.56 | U65525 | - |
| UBFDB 6.45 | STEEL BLANK FRONT PLATE | 600 x 450 | 2.29 | U65530 | - |
| UBFDB 6.60 | STEEL BLANK FRONT PLATE | 600 x 600 | 3.06 | U65535 | - |



FIXED TYPE INSERTS

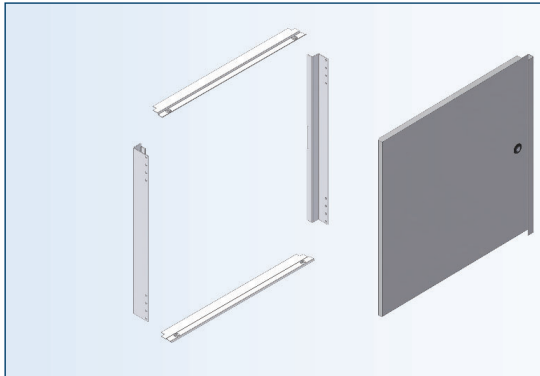
Tip!
Mounting and wiring can be done
on the work table





STEEL DIN RAIL INSERT ■ WITH ESCUTCHEON DOOR (FOR CHASSIS PROFILE)

| CAT. No. | DESCRIPTION | ROWS+UNITS | SIZE (W×H) | WEIGHT (kg) | ORDER No. | ORDER No. |
|-------------|--|------------|------------|-------------|--------------|--------------|
| | | | | | RAL 9010 SMF | RAL 7035 FTF |
| USDRCP 4.2 | STEEL DIN RAIL INSERT WITH ESCUTCHEON DOOR | 1 × 18 | 400 × 200 | 1.85 | U30600 | U30601 |
| USDRCP 4.4 | STEEL DIN RAIL INSERT WITH ESCUTCHEON DOOR | 2 × 18 | 400 × 400 | 3.30 | U30602 | U30603 |
| USDRCP 4.6 | STEEL DIN RAIL INSERT WITH ESCUTCHEON DOOR | 4 × 18 | 400 × 600 | 4.88 | U30604 | U30605 |
| USDRCP 4.8 | STEEL DIN RAIL INSERT WITH ESCUTCHEON DOOR | 6 × 18 | 400 × 800 | 5.45 | U30606 | U30607 |
| USDRCP 4.10 | STEEL DIN RAIL INSERT WITH ESCUTCHEON DOOR | 7 × 18 | 400 × 1000 | 7.35 | U30608 | U30609 |
| USDRCP 6.2 | STEEL DIN RAIL INSERT WITH ESCUTCHEON DOOR | 1 × 29 | 600 × 200 | 2.60 | U30620 | U30621 |
| USDRCP 6.4 | STEEL DIN RAIL INSERT WITH ESCUTCHEON DOOR | 2 × 29 | 600 × 400 | 4.58 | U30622 | U30623 |
| USDRCP 6.6 | STEEL DIN RAIL INSERT WITH ESCUTCHEON DOOR | 4 × 29 | 600 × 600 | 6.81 | U30624 | U30625 |
| USDRCP 6.8 | STEEL DIN RAIL INSERT WITH ESCUTCHEON DOOR | 6 × 29 | 600 × 800 | 9.72 | U30626 | U30627 |
| USDRCP 6.10 | STEEL DIN RAIL INSERT WITH ESCUTCHEON DOOR | 7 × 29 | 600 × 1000 | 10.87 | U30628 | U30629 |

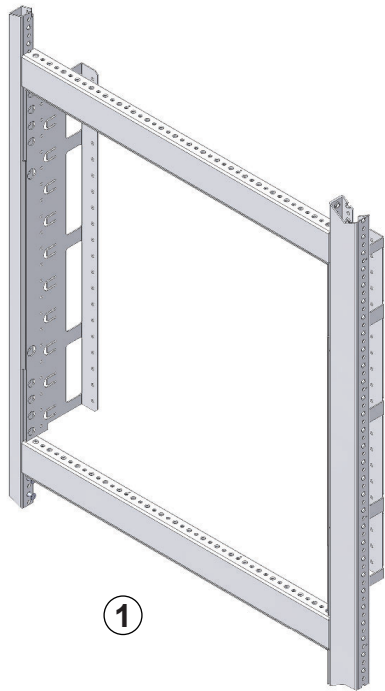


ESCUTCHEON DOOR ■ (FOR CHASSIS PROFILE)

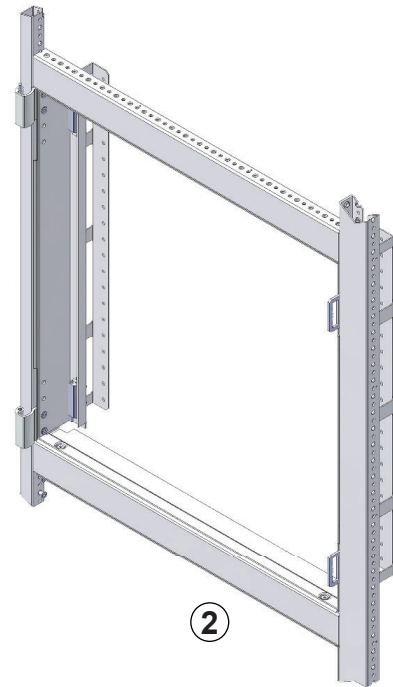
| CAT. No. | DESCRIPTION | ROWS+UNITS | SIZE (W×H) | WEIGHT (kg) | ORDER No. | ORDER No. |
|-------------|-----------------|------------|------------|-------------|--------------|--------------|
| | | | | | RAL 9010 SMF | RAL 7035 FTF |
| UESDCP 4.2 | ESCUTCHEON DOOR | 1 × 18 | 400 × 200 | 1.87 | U16410 | U16411 |
| UESDCP 4.4 | ESCUTCHEON DOOR | 2 × 18 | 400 × 400 | 3.24 | U16412 | U16413 |
| UESDCP 4.6 | ESCUTCHEON DOOR | 4 × 18 | 400 × 600 | 4.60 | U16414 | U16415 |
| UESDCP 4.8 | ESCUTCHEON DOOR | 6 × 18 | 400 × 800 | 5.97 | U16416 | U16417 |
| UESDCP 4.10 | ESCUTCHEON DOOR | 7 × 18 | 400 × 1000 | 7.43 | U16418 | U16419 |
| UESDCP 6.2 | ESCUTCHEON DOOR | 1 × 29 | 600 × 200 | 2.55 | U16430 | U16431 |
| UESDCP 6.4 | ESCUTCHEON DOOR | 2 × 29 | 600 × 400 | 4.39 | U16432 | U16433 |
| UESDCP 6.6 | ESCUTCHEON DOOR | 4 × 29 | 600 × 600 | 6.23 | U16434 | U16435 |
| UESDCP 6.8 | ESCUTCHEON DOOR | 6 × 29 | 600 × 800 | 8.55 | U16436 | U16437 |
| UESDCP 6.10 | ESCUTCHEON DOOR | 7 × 29 | 600 × 1000 | 9.90 | U16438 | U16439 |



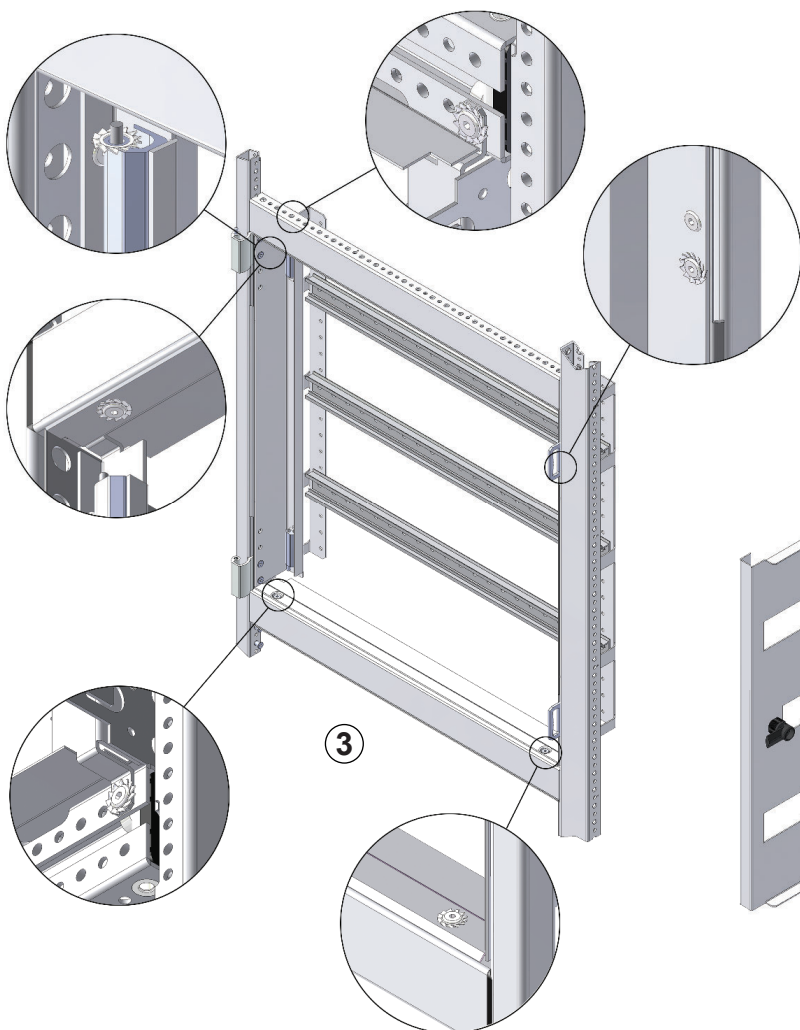
FIXED TYPE INSERTS



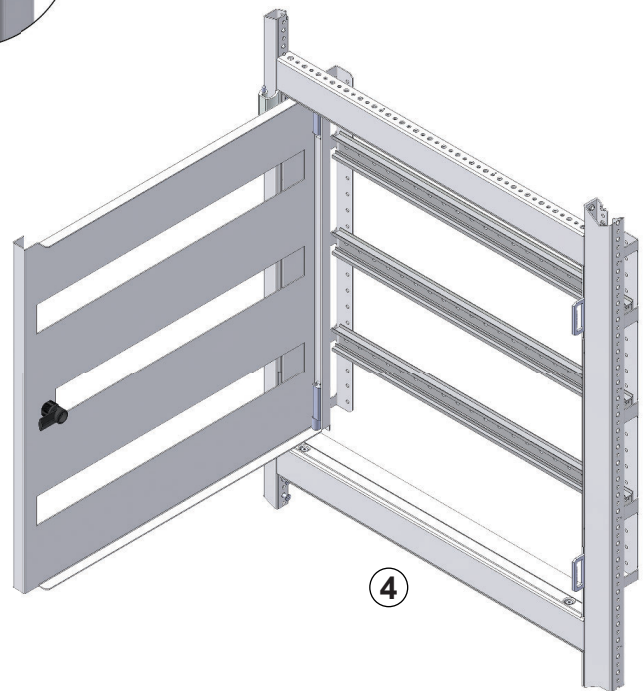
1



2



3



4



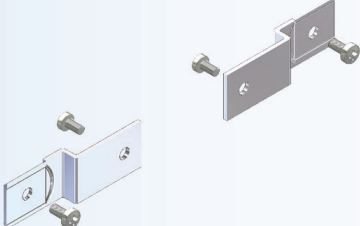
FIXED TYPE INSERTS

DIN RAIL ■



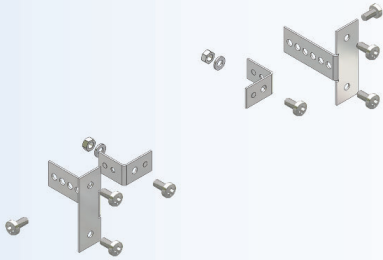
| CAT. No. | DESCRIPTION | LENGTH | WEIGHT (kg) | ORDER No. Aluminium |
|----------|-------------|--------|-------------|------------------------|
| UALDR 2 | DIN RAIL | 2000 | 0.764 | U65350 |
| UALDR 4 | DIN RAIL | 4000 | 1.530 | U65351 |

BRACKETS FOR DIN RAIL ■




| CAT. No. | DESCRIPTION | WEIGHT (kg) | ORDER No. Zinc plated |
|----------|-----------------------|-------------|--------------------------|
| UBDR | BRACKETS FOR DIN RAIL | 0.06 | U65591 |

ADJUSTABLE BRACKETS FOR DIN RAIL ■



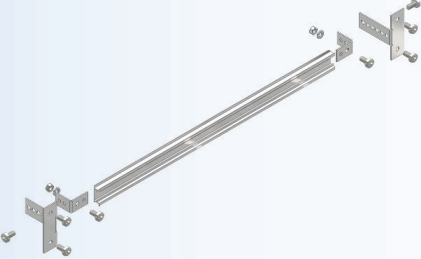
| CAT. No. | DESCRIPTION | WEIGHT (kg) | ORDER No. Zinc plated |
|----------|----------------------------------|-------------|--------------------------|
| UABDR | ADJUSTABLE BRACKETS FOR DIN RAIL | 0.14 | U65592 |

DIN RAIL WITH BRACKETS ■



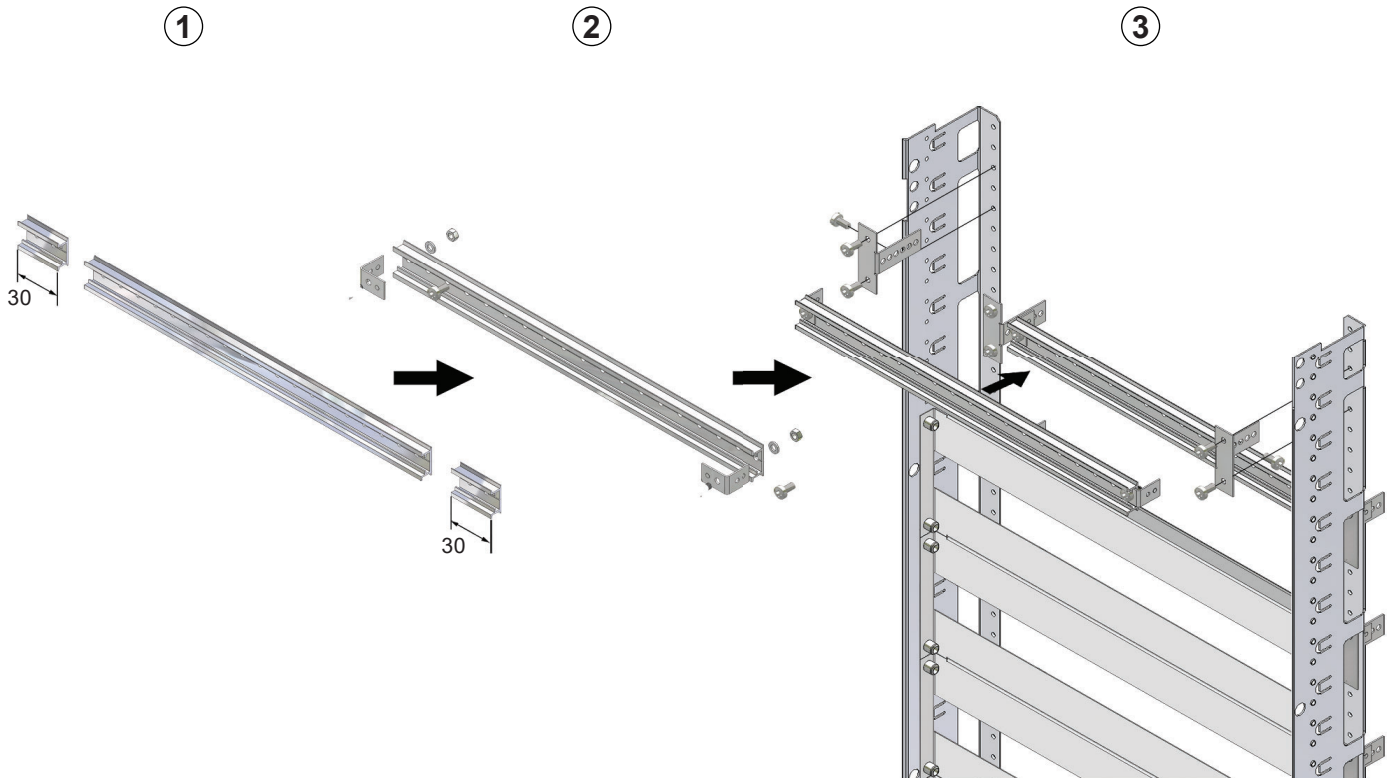
| CAT. No. | DESCRIPTION | WEIGHT (kg) | ORDER No. |
|----------|------------------------|-------------|-----------|
| UDBDR 6 | DIN RAIL WITH BRACKETS | 0.22 | U65594 |
| UDBDR 8 | DIN RAIL WITH BRACKETS | 0.35 | U65597 |

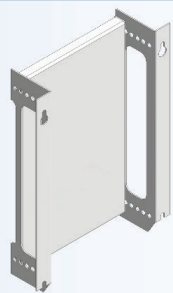
DIN RAIL WITH ADJUSTABLE BRACKETS ■



| CAT. No. | DESCRIPTION | WEIGHT (kg) | ORDER No. |
|----------|-----------------------------------|-------------|-----------|
| UDABDR 6 | DIN RAIL WITH ADJUSTABLE BRACKETS | 0.31 | U65595 |
| UDABDR 8 | DIN RAIL WITH ADJUSTABLE BRACKETS | 0.53 | U65598 |

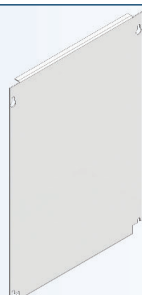
Instruction for depth adjustable DIN Rail





ADJUSTABLE MOUNTING PLATE

| CAT. No. | DESCRIPTION | SIZE (W×H) | MOUNTING PLATE SIZE (W×H) | WEIGHT (kg) | ORDER No. Alu zinc |
|------------|---------------------------|------------|---------------------------|-------------|-----------------------|
| UAMDB 3.15 | ADJUSTABLE MOUNTING PLATE | 300×150 | 185×150 | 0.62 | U65430 |
| UAMDB 3.20 | ADJUSTABLE MOUNTING PLATE | 300×200 | 185×200 | 0.82 | U65431 |
| UAMDB 3.30 | ADJUSTABLE MOUNTING PLATE | 300×300 | 185×300 | 1.12 | U65432 |
| UAMDB 3.45 | ADJUSTABLE MOUNTING PLATE | 300×450 | 185×450 | 1.68 | U65434 |
| UAMDB 4.15 | ADJUSTABLE MOUNTING PLATE | 400×150 | 285×150 | 0.75 | U65400 |
| UAMDB 4.20 | ADJUSTABLE MOUNTING PLATE | 400×200 | 285×200 | 1.09 | U65401 |
| UAMDB 4.30 | ADJUSTABLE MOUNTING PLATE | 400×300 | 285×300 | 1.50 | U65405 |
| UAMDB 4.45 | ADJUSTABLE MOUNTING PLATE | 400×450 | 285×450 | 2.25 | U65410 |
| UAMDB 5.15 | ADJUSTABLE MOUNTING PLATE | 500×150 | 385×150 | 0.92 | U65436 |
| UAMDB 5.20 | ADJUSTABLE MOUNTING PLATE | 500×200 | 385×200 | 1.36 | U65437 |
| UAMDB 5.30 | ADJUSTABLE MOUNTING PLATE | 500×300 | 385×300 | 1.85 | U65438 |
| UAMDB 5.45 | ADJUSTABLE MOUNTING PLATE | 500×450 | 385×450 | 2.78 | U65440 |
| UAMDB 6.15 | ADJUSTABLE MOUNTING PLATE | 600×150 | 485×150 | 1.25 | U65415 |
| UAMDB 6.20 | ADJUSTABLE MOUNTING PLATE | 600×200 | 485×200 | 1.63 | U65416 |
| UAMDB 6.30 | ADJUSTABLE MOUNTING PLATE | 600×300 | 485×300 | 2.23 | U65420 |
| UAMDB 6.45 | ADJUSTABLE MOUNTING PLATE | 600×450 | 485×450 | 3.21 | U65425 |

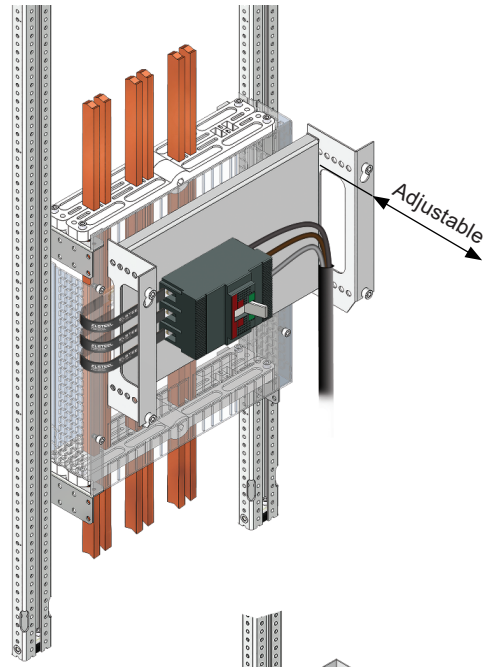
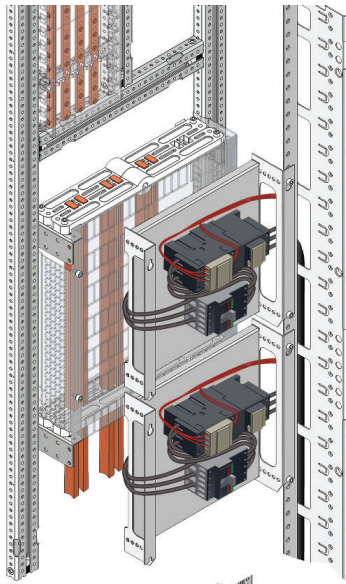


FIXED TYPE MOUNTING PLATE

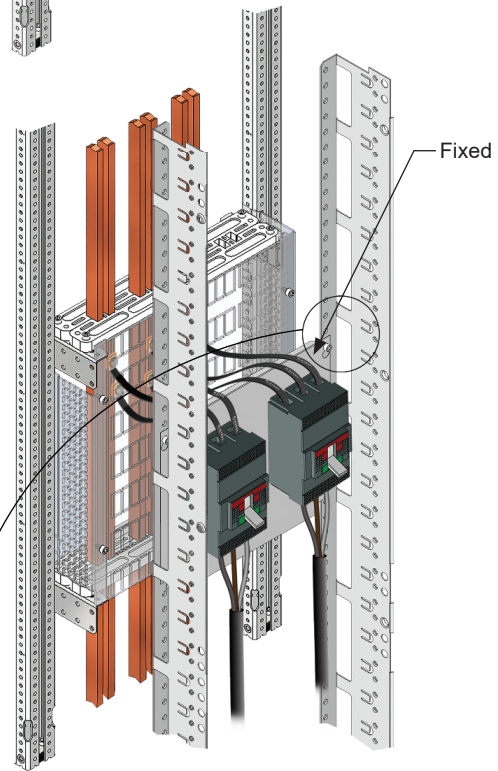
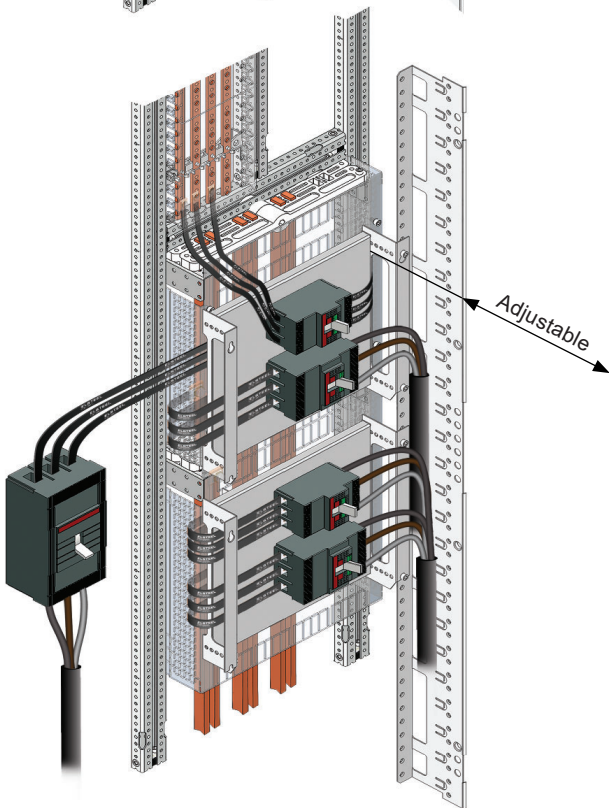
| CAT. No. | DESCRIPTION | SIZE (W×H) | WEIGHT (kg) | ORDER No. Alu zinc |
|------------|---------------------------|------------|-------------|-----------------------|
| UFMDB 3.15 | FIXED TYPE MOUNTING PLATE | 300×150 | 0.40 | U65600 |
| UFMDB 3.20 | FIXED TYPE MOUNTING PLATE | 300×200 | 0.53 | U65601 |
| UFMDB 3.30 | FIXED TYPE MOUNTING PLATE | 300×300 | 0.81 | U65602 |
| UFMDB 3.45 | FIXED TYPE MOUNTING PLATE | 300×450 | 1.22 | U65604 |
| UFMDB 3.60 | FIXED TYPE MOUNTING PLATE | 300×600 | 1.63 | U65606 |
| UFMDB 4.15 | FIXED TYPE MOUNTING PLATE | 400×150 | 0.62 | U65608 |
| UFMDB 4.20 | FIXED TYPE MOUNTING PLATE | 400×200 | 0.82 | U65609 |
| UFMDB 4.30 | FIXED TYPE MOUNTING PLATE | 400×300 | 1.25 | U65610 |
| UFMDB 4.45 | FIXED TYPE MOUNTING PLATE | 400×450 | 1.71 | U65612 |
| UFMDB 4.60 | FIXED TYPE MOUNTING PLATE | 400×600 | 2.50 | U65614 |
| UFMDB 5.15 | FIXED TYPE MOUNTING PLATE | 500×150 | 0.78 | U65616 |
| UFMDB 5.20 | FIXED TYPE MOUNTING PLATE | 500×200 | 1.04 | U65617 |
| UFMDB 5.30 | FIXED TYPE MOUNTING PLATE | 500×300 | 1.56 | U65618 |
| UFMDB 5.45 | FIXED TYPE MOUNTING PLATE | 500×450 | 2.34 | U65620 |
| UFMDB 5.60 | FIXED TYPE MOUNTING PLATE | 500×600 | 3.12 | U65622 |
| UFMDB 6.15 | FIXED TYPE MOUNTING PLATE | 600×150 | 0.98 | U65624 |
| UFMDB 6.20 | FIXED TYPE MOUNTING PLATE | 600×200 | 1.30 | U65625 |
| UFMDB 6.30 | FIXED TYPE MOUNTING PLATE | 600×300 | 1.96 | U65626 |
| UFMDB 6.45 | FIXED TYPE MOUNTING PLATE | 600×450 | 2.94 | U65628 |
| UFMDB 6.60 | FIXED TYPE MOUNTING PLATE | 600×600 | 3.93 | U65630 |



FIXED TYPE INSERTS



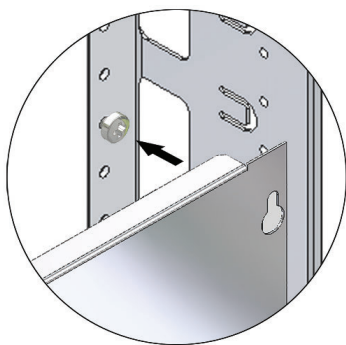
Max.
176.5



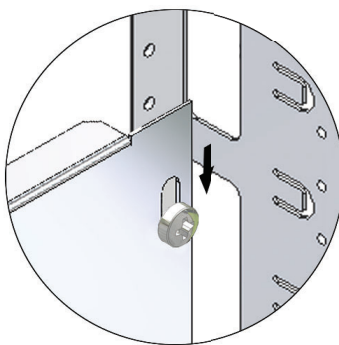
Max.
125.5

Use verified ELSTEEL flexi bars

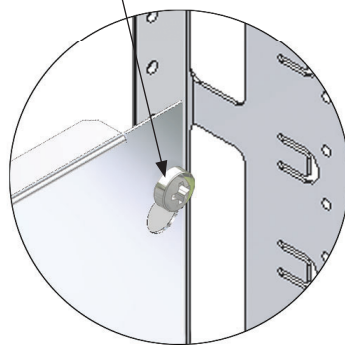
Max. torque 7Nm



1



2



3

Techno Module - Technical Data

GENERAL DATA

| | |
|-------------------------------|---|
| Mounting possibilities | Floor standing / Wall mounting |
| Standard colour | RAL7035 Fine texture (Inquire for non standard colours) |
| Coating | Epoxy/ Polyester powder, Thickness $\geq 60\mu\text{m}$ |

MECHANICAL DATA

| | |
|---|---|
| Field / Tier Arrangement | Front connected / Back to back/ L-shape |
| Cable entry | Top / Centre / Bottom |
| Compartment types | Fixed |
| Access | Front / Rear |
| NEMA type | 1, 2 and 12 |
| Maximum dimensions of a transport section (Basic module 200×200×200) | Width - 2200 Height - 2400 (can be extended) Depth - 2200 |

STANDARD FOR SAFETY

| | |
|----------------|--|
| E207550 | UL508A, Industrial Control Panels |
| E207550 | CAN/CSA C22.2 No.14-13, Industrial Control Equipment |
| E468107 | UL891, Switchboards |
| E468107 | UL845, Motor Control Centers |

CONDITIONS OF ACCEPTABILITY

For use only in complete equipment, where the acceptability of the combination is determined by Underwriters Laboratories Inc.

- The acceptability of electrical spacing requirements of the assembled panel will be evaluated in the end use during the assembly of the Panel as per UL508A.
- The suitability of supply connections shall be evaluated in the end product.
- Suitability of bonding means and grounding shall be determined in the end product.
- Installation and wiring instructions shall be evaluated in the end product investigation.
- The suitability of Panel Light Enclosure shall be evaluated in the end product investigation.
- The suitability of electrical spacings, internal wiring, and component mounting shall be determined in the end product.
- Enclosure may or may not have openings. In the final application at the applicant's facility, all openings must be closed including conduit openings and push button openings.
- Busbar holders shall be part of complete Listed Motor Control Center Sections and Units or Industrial Control panels.
- The through-air spacings provided by busbar holders should be judged under the requirements covering the end-use product.
- Stand-off insulators (UINS) have been evaluated and found to comply with the tensile strength and cantilever testing in UL 891, Annex G.
- The Suitability of the Recognized Component plastic material with regards to temperature rating and electrical characteristics and other characteristics, should be determined in the end-use application.

DRAINAGE OPENINGS

Enclosures rated Type 2 shall have provisions for drainage. Drainage openings shall not be less than 3.2 mm in diameter (1/8 inch in diameter) or more than 6.4 mm in diameter (1/4 inch in diameter), unless baffled or provided with a drainage fitting. Alternatively the enclosure shall have instructions indicating the method of (obtaining) providing drainage openings when the enclosure is being used for Types applications.

Guidance for Enclosure Types

Enclosure Type 12

The following items can be used for Enclosure Type 12

| CAT. No. | DESCRIPTION | PAGE |
|----------|--|------|
| UBFC | PLINTH CORNERS | 1:01 |
| UBPP | PLINTH PROFILES | 1:01 |
| UBCB | CLAMPING BRACKETS | 1:01 |
| UPFSB | PLINTH FRAME SUPPORTING BRACKETS | 1:03 |
| UHPFSB | HEAVY DUTY PLINTH FRAME SUPPORTING BRACKETS | 1:05 |
| UHPC | HEAVY DUTY PLINTH CORNERS | 1:07 |
| UHPP | HEAVY DUTY PLINTH PROFILES | 1:07 |
| UHPPW | HEAVY DUTY PLINTH WIDTH PROFILES | 1:05 |
| UHPPD | HEAVY DUTY PLINTH DEPTH PROFILES | 1:05 |
| UHCB | HEAVY DUTY CLAMPING ANGLES | 1:07 |
| UCRS | CORNERS | 1:09 |
| UCB | CORNER BARS | 1:11 |
| UCBS | CROSS BAR | 1:13 |
| UEC | EXTENDED CORNERS | 1:15 |
| UCBC | EXTENDED CROSS BAR CORNER | 1:15 |
| UFSP | FRAME SUPPORTERS | 1:15 |
| UDO | DOOR | 1:17 |
| UGBFD | GUIDE BRACKET FOR DOOR | 1:17 |
| UPKT | POCKET | 1:21 |
| USQI | LOCK INSERT | 1:23 |
| UKL | KNOB LOCK | 1:23 |
| UKELS | KEY LOCK | 1:23 |
| UTHLC | T-HANDLE LOCK | 1:23 |
| UDWSH | DOOR WITH SWING HANDLE | 1:25 |
| UDOB | LOCK INSERT FOR SWING HANDLE | 1:25 |
| UTHL | T-HANDLE LOCK CLOSING SYSTEM | 1:27 |
| USWHN | SWING HANDLE CLOSING SYSTEM | 1:29 |
| USSFD | SWITCH FOR DOOR | 1:31 |
| UTMCOV | TM LOCK COVER | 1:31 |
| UDOST | DOOR STAY | 1:33 |
| UCOV | COVER | 1:35 |
| UMP | MOUNTING PLATE | 1:45 |
| UFIP | FILLER PROFILE | 1:45 |
| UMR | MOUNTING RAILS | 1:45 |
| UMB | MOUNTING BRACKETS | 1:45 |
| USFMP | SPACER FOR MOUNTING PLATE | 1:45 |
| UHDSU | HEAVY DUTY SUPPORT | 1:47 |
| UMPSLD | MOUNTING PLATE SLIDERS | 1:47 |
| UACM | ACB MOUNTING PLATE | 1:49 |
| UASC | ACB SUPPORT CHANNEL | 1:49 |
| USP | SEPARATION PLATE | 1:51 |
| UPSPC | SEPARATION PLATES WITH VENTILATION | 1:55 |
| UMCE | MODULAR CABLE ENTRY PLATE | 1:57 |
| UCGF | CABLE GLAND FRAME | 1:59 |
| UCGFS | CABLE GLAND FRAME FOR MOUNTING PLATE SLIDERS | 1:59 |
| UBLP | CABLE GLAND PLATE | 1:61 |
| UKOP | KNOCK OUT PLATE | 1:61 |
| UQGP | QUICK GLAND PLATE | 1:61 |
| UAGP | ALUMINIUM GLAND PLATE | 1:61 |
| UGP55 | GLAND PLATE | 1:61 |
| UGPSL | GLAND PLATE WITH SLIDER | 1:61 |
| UIGP | INTERNAL GLAND PLATE | 1:63 |
| UCH | CABLE HOLDER | 1:65 |
| UDCH | DOOR CABLE HOLDER | 1:65 |
| UAF216 | ARC FILTER | 1:69 |

Enclosure Type 12 continued

| CAT. No. | DESCRIPTION | PAGE |
|----------|---------------------------------------|------|
| UAFSP | ARC FILTER SEPARATION PLATE | 1:69 |
| UAFBPL | ARC FAULT BARRIER PLATE | 1:69 |
| ULE | LIFTING EYES | 1:71 |
| UFSMP | FIXING STUDS FOR MOUNTING PLATE V2 | 1:71 |
| UTMWMB | TM WALL MOUNTING BRACKETS | 1:73 |
| UBRS | PANEL ASSEMBLY KIT | 1:75 |
| ULSK | L SHAPE CORNER KIT | 1:77 |
| UUBH | BUSBAR HOLDER | 2:01 |
| UCBOL | CENTER BOLT | 2:07 |
| UFHP | FISH PLATE KIT | 2:13 |
| UCS | COPPER SPACER | 2:15 |
| HVC | HORIZONTAL TO VERTICAL CONNECTOR | 2:15 |
| UDWA | BUSBAR TAP OFF ACCESSORIES | 2:19 |
| UBEC | EARTH BRACKET | 2:21 |
| UEBC | HEAVY DUTY EARTH BAR CLAMP | 2:21 |
| UINS | INSULATOR | 2:21 |
| UDINI | STEEL DIN RAIL INSERT | 3:01 |
| UBLFP | STEEL BLANK FRONT PLATE | 3:01 |
| UESD | ESCUTCHEON DOOR | 3:03 |
| UFTC | FIXED TYPE COMPARTMENT | 3:05 |
| UCPR | COMPARTMENT RAILS | 3:07 |
| USGPF | GLAND PLATE FOR FTC | 3:05 |
| UBAPL | BACK PLATE FOR FTC | 3:07 |
| USFI | SUPERFLEX INSERT | 3:09 |
| UCPDB | CHASSIS PROFILE | 3:17 |
| UTBPDB | FLAT TOP AND BOTTOM PROFILE | 3:17 |
| UFLPDB | 25MM FILLING PROFILES | 3:17 |
| UDIDB | STEEL DIN INSERT FOR CHASSIS PROFILE | 3:19 |
| UBFDB | BLANK FRONT PLATE FOR CHASSIS PROFILE | 3:19 |
| UALDR | DIN RAIL | 3:23 |
| UBDR | BRACKETS FOR DIN RAIL | 3:23 |
| UABDR | ADJUSTABLE BRACKETS FOR DIN RAIL | 3:23 |
| UDBDR | DIN RAIL WITH BRACKETS | 3:23 |
| UDABDR | DIN RAIL WITH ADJUSTABLE BRACKETS | 3:23 |
| UAMDB | ADJUSTABLE MOUNTING PLATE | 3:25 |
| UFMDB | FIXED TYPE MOUNTING PLATE | 3:25 |

Enclosure Type 2

The following items can be used for Enclosure Type 2 in addition to Enclosure Type 12 items

| CAT. No. | DESCRIPTION | PAGE |
|----------|-----------------------------|------|
| UILC | LOUVRE COVERS | 1:41 |
| UCHM | CHIMNEY FOR ARC CONTAINMENT | 1:67 |
| UCCH | COVER FOR CHIMNEY TYPE A | 1:67 |
| UCHAB | CHIMNEY FOR ARC CONTAINMENT | 1:67 |

Enclosure Type 1

The following items can be used for Enclosure Type 1 in addition to Enclosure Type 12 items and Enclosure Type 2 items

| CAT. No. | DESCRIPTION | PAGE |
|----------|----------------------|------|
| UDW | DOOR WITH WINDOW | 1:19 |
| UDIL | DOOR INTERLOCK | 1:31 |
| UCSES | COVER SEAL SYSTEM | 1:35 |
| UFC | FLAT COVER | 1:39 |
| UEGP | EXTERNAL GLAND PLATE | 1:63 |
| USWC | SCREWLESS COVER | 1:37 |

Test Certificates

Elsteel Techno Module System are certified as per IEC and UL standards by independent certification authorities.



Elsteel Techno Module System is fully type tested as per IEC 61439-1, IEC 61439-2 and IEC TR 61641 with the following brands.



Elsteel Techno Module System is certified for marine applications by



Stay updated with the latest tests and certifications on www.elsteel.com

Material & Paint Specifications

| PAINT SPECIFICATIONS | |
|----------------------|---|
| Type of paint | Epoxy polyester powder |
| Type of finish | Semi gloss/ Smooth finish |
| Coating thickness | ≥ 60µm |
| To repaint | Slightly sand the surface to be painted and apply required colour. Please inform the paint supplier the above information. |








| | |
|-------------------|--|
| Type of paint | Epoxy polyester powder |
| Type of finish | Texture finish/ Fine Texture Finish |
| Coating thickness | ≥ 70µm |
| To repaint | Slightly sanding the surface to be painted and apply required colour. Please inform the paint supplier the above information. |

| COPPER SPECIFICATION | |
|---|--|
| Electrolytic Copper high conductivity OC-ETP 99.98 % JIS H3140 C 1100 Tempered up to half hard. | |

Note: Please refer relevant file for material specifications.

| PICTURE | DESCRIPTION | STANDARD NO. | SIZE | QTY | ORDER NO. |
|---|------------------------------------|-----------------|--------------------|-----|-----------|
|  | GAS SPRING WITH REVERTS | N/A | | 01 | 05060 |
|  | BRACKET FOR DOOR STAY TOP & BOTTOM | N/A | | 01 | 05064 |
|  | ALLEN BOLT | DIN 912 8.8 | M4 × 20 | 100 | 05105 |
| | | DIN 912 8.8 | M6 × 8 | 100 | 05110 |
| | | DIN 912 8.8 | M6 × 16 | 100 | 05115 |
| | | DIN 912 8.8 | M6 × 20 | 100 | 05117 |
| | | DIN 912 8.8 | M6 × 25 | 100 | 05119 |
| | | DIN 912 8.8 | M6 × 30 | 100 | 05120 |
|  | ALLEN BOLT LOW HEAD | N/A | M6 × 16 | 100 | 05121 |
|  | ALLEN BOLT | DIN 912 8.8 | M8 × 12 | 100 | 05130 |
| | | DIN 912 8.8 | M8 × 16 | 100 | 05132 |
| | | DIN 912 8.8 | M8 × 20 | 100 | 05134 |
| | | DIN 912 8.8 | M8 × 25 | 100 | 05136 |
| | | DIN 912 8.8 | M8 × 40 | 100 | 05139 |
| | | DIN 912 8.8 | M10 × 20 | 100 | 05150 |
| | | DIN 912 8.8 | M10 × 40 | 100 | 05152 |
|  | COUNTER SUNK FLAT HEAD SCREW | DIN 965A 4.8 | M6 × 12 | 100 | 05170 |
| | | DIN 965A 4.8 | M6 × 20 | 100 | 05173 |
| | | DIN 965A 4.8 | M6 × 35 | 100 | 05179 |
|  | HEX. SOCKET COUNTER SUNK SCREW | DIN 7991 10.9 | M8 × 16 | 100 | 05190 |
|  | COUNTER SUNK OVAL HEAD SCREW | DIN 966A 4.8 | M6 × 16 | 100 | 05205 |
|  | BUTTON HEAD SCREW | ISO 7380-1 | M6 × 8 | 100 | 05208 |
| | | ISO 7380-1 | M6 × 10 | 100 | 05210 |
| | | ISO 7380-1 | M6 × 20 | 100 | 05213 |
|  | PAN HEAD SELF TAPPING SCREW | DIN 7981 FORM F | ST 5.5 5.5 × 13 | 100 | 05220 |
|  | CHEESE HEAD SCREW | DIN 7985A 4.8 | M5 × 10 | 100 | 05230 |
| | | DIN 7985A 4.8 | M6 × 10 | 100 | 05232 |
| | | DIN 7985A 4.8 | M6 × 12 | 100 | 05233 |
| | | DIN 7985A 4.8 | M6 × 16 | 100 | 05234 |




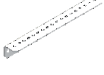
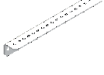
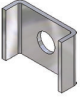



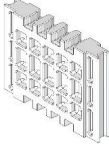



| PICTURE | DESCRIPTION | STANDARD NO. | SIZE | QTY | ORDER NO. |
|---|-------------------------|--------------|----------|-----|-----------|
|  | POZIDRIVE TAPTITE SCREW | N/A | M6 × 12 | 100 | 05240 |
| | | | M6 × 16 | 100 | 05243 |
|  | TAPTITE SCREW | DIN 7500 D | M6 × 12 | 100 | 05250 |
|  | HEXAGON BOLT | DIN 933 8.8 | M6 × 14 | 100 | 05260 |
| | | DIN 933 8.8 | M8 × 20 | 100 | 05268 |
| | | DIN 933 8.8 | M8 × 30 | 100 | 05270 |
| | | DIN 933 8.8 | M10 × 30 | 100 | 05280 |
| | | DIN 931 8.8 | M10 × 35 | 100 | 05281 |
| | | DIN 931 8.8 | M10 × 40 | 100 | 05282 |
| | | DIN 931 8.8 | M10 × 45 | 100 | 05283 |
| | | DIN 931 8.8 | M10 × 50 | 100 | 05284 |
| | | DIN 931 8.8 | M10 × 60 | 100 | 05286 |
| | | DIN 931 8.8 | M12 × 45 | 100 | 05290 |
|  | HEXAGON THIN NUT | DIN 439 B | M6 × 3 | 100 | 05300 |
|  | HEXAGON NUT | DIN 934 8 | M6 | 100 | 05302 |
| | | DIN 934 8 | M8 | 100 | 05304 |
| | | DIN 934 8 | M10 | 100 | 05306 |
| | | DIN 934 8 | M12 | 100 | 05308 |
|  | SPRING WASHER | DIN 127 B | M6 | 100 | 05320 |
| | | DIN 127 B | M8 | 100 | 05322 |
|  | FLAT WASHER | DIN 125 A | M6 | 100 | 05330 |
| | | DIN 125 A | M8 | 100 | 05332 |
| | | DIN 125 A | M10 | 100 | 05334 |
|  | CONICAL SPRING WASHER | DIN 6796 | M10 | 100 | 05338 |
| | | DIN 6796 | M12 | 100 | 05339 |
|  | FLAT WASHER | DIN 7349 | M10 | 100 | 05351 |
| | | BN 2045 | M10 | 100 | 05353 |
| | | DIN 7349 | M12 | 100 | 05355 |
|  | FENDER WASHER | DIN 9021 | M6 | 100 | 05360 |
|  | RETAINER WASHER | N/A | M6 | 100 | 05362 |
|  | O RING | N/A | Ø6 | 100 | 05370 |
| | | | Ø7 | 100 | 05371 |
| | | | Ø12 | 100 | 05374 |





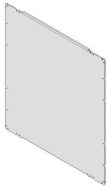
| PICTURE | DESCRIPTION | SIZE | QTY | ORDER NO. |
|---|---------------------------------------|------|-------|-----------|
|  | RUBBER PLUG - RAL 9005 | Ø13 | 01 | 05380 |
|  | PLASTIC PLUG - RAL 9005 | Ø35 | 01 | 05394 |
|  | BASE FRAME BRACKET | | 01 | 05411 |
|  | CORNER BAR ANCHOR | | 01 | 05430 |
| | CORNER BAR ANCHOR LIGHT | | 01 | 05432 |
|  | CORNER BAR WITH SCREWS | 200 | 01 | 05434 |
| | CORNER BAR WITH ANCHOR WITHOUT SCREWS | 200 | 01 | 05435 |
| | CORNER BAR WITH ANCHOR WITHOUT SCREWS | 300 | 01 | 05436 |
| | CORNER BAR WITH SCREWS | 300 | 01 | 05437 |
| | CORNER BAR WITH ANCHOR WITHOUT SCREWS | 400 | 01 | 05438 |
| | CORNER BAR WITH SCREWS | 400 | 01 | 05439 |
| | CORNER BAR WITH ANCHOR WITHOUT SCREWS | 600 | 01 | 05441 |
| | CORNER BAR WITH SCREWS | 600 | 01 | 05442 |
| | CORNER BAR WITH ANCHOR WITHOUT SCREWS | 800 | 01 | 05444 |
| | CORNER BAR WITH SCREWS | 800 | 01 | 05445 |
| | CORNER BAR WITH ANCHOR WITHOUT SCREWS | 1000 | 01 | 05447 |
| | CORNER BAR WITH SCREWS | 1000 | 01 | 05448 |
| | CORNER BAR WITH ANCHOR WITHOUT SCREWS | 1200 | 01 | 05450 |
| | CORNER BAR WITH SCREWS | 1200 | 01 | 05451 |
| | CORNER BAR WITH ANCHOR WITHOUT SCREWS | 1400 | 01 | 05453 |
| | CORNER BAR WITH SCREWS | 1400 | 01 | 05454 |
| | CORNER BAR WITH ANCHOR WITHOUT SCREWS | 1600 | 01 | 05456 |
| | CORNER BAR WITH SCREWS | 1600 | 01 | 05457 |
| | CORNER BAR WITH ANCHOR WITHOUT SCREWS | 1800 | 01 | 05459 |
| | CORNER BAR WITH SCREWS | 1800 | 01 | 05460 |
| CORNER BAR WITH ANCHOR WITHOUT SCREWS | 2000 | 01 | 05462 | |
| CORNER BAR WITH SCREWS | 2000 | 01 | 05463 | |
| CORNER BAR WITH ANCHOR WITHOUT SCREWS | 2200 | 01 | 05465 | |
| CORNER BAR WITH SCREWS | 2200 | 01 | 05466 | |
|  | CROSS BAR PLASTIC INSERT | | 01 | 05515 |
|  | CROSS BAR ANCHOR | | 01 | 05518 |



| PICTURE | DESCRIPTION | SIZE | QTY | ORDER NO. |
|---|---|------|-----|-----------|
|  | DOOR CAM RECEIVER V3 | | 01 | 05729 |
|  | KEY FOR IEC LOCK - PLASTIC | | 01 | 05783 |
|  | KEY FOR IEC LOCK - STEEL | | 01 | 05902 |
|  | TRIANGULAR KEY 8mm | | 01 | 05784 |
| | SQUARE KEY 6mm | | 01 | 05786 |
|  | DOOR INTERLOCK PLASTIC GUIDE | | 01 | 05794 |
|  | DOOR TOP HINGE V3 | | 01 | 09050 |
|  | DOOR BOTTOM HINGE V3 | | 01 | 09051 |
|  | DOOR CENTRE HINGE V3 | | 01 | 09052 |
|  | DOOR CAM RECEIVER V3 (FOR T-HANDLE LOCK) | | 01 | 06310 |
|  | DOOR ROD CONTROLLER V3 (FOR T-HANDLE LOCK) | | 01 | 06365 |
|  | IEC LOCK HOLE COVER V3 | | 01 | 06231 |

| PICTURE | DESCRIPTION | SIZE | QTY | ORDER NO. |
|---|--|------|-----|-----------|
|  | IEC LOCK CAM V3 - STEEL | | 01 | 05726 |
|  | DOOR STEEL CAM V3 (FOR T-HANDLE LOCK V3) | | 01 | 05722 |
|  | IEC LOCK COMPLETE V3 - STEEL | | 01 | 05899 |
|  | DOOR LOCK ROD V3 (FOR T-HANDLE LOCK) | 800 | 01 | 05342 |
| | | 1000 | 01 | 05343 |
| | | 1200 | 01 | 05344 |
| | | 1400 | 01 | 05345 |
| | | 1600 | 01 | 05346 |
| | | 1800 | 01 | 05347 |
| | | 2000 | 01 | 05348 |
| | | 2200 | 01 | 05349 |
|  | FLAT COVER STAINLESS STEEL WASHER | M6 | 01 | 05792 |
|  | FLAT COVER SPACER | M6 | 01 | 05801 |
|  | COVER FINISHING WASHER V3 | M6 | 01 | 05805 |
|  | COVER SUPPORT BRACKET V3 | | 01 | 05905 |
|  | COVER U BRACKET | | 01 | 05809 |
|  | COVER FIXING BRACKET V3 | | 01 | 05904 |
|  | MOUNTING PLATE SPACER | | 01 | 05820 |

| PICTURE | DESCRIPTION | SIZE | QTY | ORDER NO. |
|---|-----------------------------|----------|----------|-----------|
|  | MOUNTING RAIL | 400 | 01 | 05900 |
| | | 600 | 01 | 05903 |
| | | 800 | 01 | 05906 |
|  | BRS 50 BRACKET | | 01 | 05935 |
|  | BRS 25 BRACKET | | 01 | 05938 |
|  | PAK BRACKET | | 01 | 05933 |
|  | L-PANEL CORNER RAL 7035 FTF | | 01 | 05943 |
|  | L-PANEL BASE PROFILE | 200 | 01 | 05948 |
| | | 400 | 01 | 05951 |
| | | 600 | 01 | 05954 |
| | | 800 | 01 | 05957 |
|  | L-PANEL TOP PROFILE | 200 | 01 | 05960 |
| | | 400 | 01 | 05963 |
| | | 600 | 01 | 05966 |
| | | 800 | 01 | 05969 |
|  | L-PANEL SCREW | M8 | 01 | 05972 |
|  | DOUBLE ADHESIVE TAPE | 10 | 01 ROLL | 05977 |
|  | COVER GASKET V3 | | 01 METER | 05978 |
|  | DOUBLE ADHESIVE TAPE | 12 × 1.2 | 01 ROLL | 05980 |
|  | DOOR GASKET V3 | | 01 METER | 05982 |
|  | GLAND PLATE GASKET | 139 × 48 | 01 | 05983 |
| | | 216 × 86 | 01 | 05984 |
|  | IEC LOCK GASKET V3 | | 01 | 05738 |

| PICTURE | DESCRIPTION | SIZE | QTY | ORDER NO. |
|---|--|------|-----|-----------|
|  | BUSBAR NUT 4 mm | M10 | 100 | 05962 |
|  | FIXING RAIL SET 90 mm (FOR UBH BUSBAR HOLDER) | | 01 | 06228 |
|  | FIXING RAIL SET 190 mm (FOR UBH BUSBAR HOLDER) | | 01 | 06078 |
|  | FIXING RAIL SET 190 mm (FOR OMNI BUSBAR HOLDER) | | 01 | 06069 |
|  | FIXING RAIL SET 390 mm (FOR UBH/OMNI BUSBAR HOLDER) | | 01 | 06068 |
|  | CLAMPING BRACKET | 25 | 01 | 06076 |
| | | 50 | 01 | 06079 |
|  | BOLT HOLDER NUT | M10 | 01 | 06082 |
|  | FISH PLATE WITH GROOVE - COPPER | | 01 | 06094 |
|  | FISH PLATE PLAIN - COPPER | | 01 | 06097 |
|  | MAIN BUSBAR HOLDER | | 01 | 06103 |
|  | DIN RAIL | 400 | 01 | 06156 |
| | | 600 | 01 | 06159 |
|  | DIN SPACER | 17.5 | 01 | 06165 |
| | | 60 | 01 | 06168 |
|  | UBH SPACER CLIP | | 01 | 06170 |

| PICTURE | DESCRIPTION | SIZE | QTY | ORDER NO. |
|---|---|---------|-----|-----------|
|  | VERTICAL RAIL (FOR SUPER FLEX INSERT) | 200 | 01 | 06210 |
| | | 400 | 01 | 06213 |
| | | 600 | 01 | 06216 |
| | | 800 | 01 | 06219 |
| | | 1000 | 01 | 06222 |
|  | LONGITUDINAL RAIL (FOR SUPER FLEX INSERT) | 140 | 01 | 06230 |
| | | 340 | 01 | 06233 |
|  | CLIP NUT | M6 | 100 | 06260 |
|  | POP RIVETS | 3 | 100 | 06261 |
|  | FTC MOUNTING PLATE | 400×200 | 01 | 06422 |
| | | 400×300 | 01 | 06423 |
| | | 400×400 | 01 | 06424 |
| | | 400×500 | 01 | 06425 |
| | | 400×600 | 01 | 06426 |
| | | 600×200 | 01 | 06402 |
| | | 600×300 | 01 | 06404 |
| | | 600×400 | 01 | 06403 |
| | | 600×500 | 01 | 06405 |
| | | 600×600 | 01 | 06406 |

| PICTURE | DESCRIPTION | SIZE | QTY | ORDER NO. |
|---|---|------|------|-----------|
|  | COMPONENT LABEL SHEET 8.5" x 11" (210mm x 297mm) | | 10 | 06545 |
|  | | | | |
| | REPAIR PAINT - RAL 9010 | | 50ml | 07003 |
| | REPAIR PAINT - RAL 9005 | | 50ml | 07006 |
| | REPAIR PANT - RAL 7035 | | 50ml | 07007 |
| | | | | |
| | LOCK TIGHT FOR GASKET FIXING | | 50ml | 07010 |
| | RED LACQUER SEAL | | 50ml | 07011 |
| | | | | |
| | | | | |
| | | | | |
| | | | | |
| | | | | |
| | | | | |
| | | | | |
| | | | | |
| | | | | |
| | | | | |
| | | | | |

MODULAR
ELSTEEL
ENCLOSURES



100% Danish
Technology

Møllevej 9 C · 2990 Nivå
Denmark
Tel +45 49 22 33 44
elsteel@elsteel.dk
www.elsteel.com