

**BOX**

**MODULAR**  
**ELSTEEL**  
**ENCLOSURES**



# The Exclusive Box by ELSTEEL

The double bended edges provide additional strength and are gentle to the hands of the panel builder and the end user !



You're holding a top of the line quality product in your hands. Made with love and excellence! I hope you will enjoy assembling and using Elsteel products as much as I enjoy manufacturing it for you.

A handwritten signature in white ink, appearing to be 'Fang Logstrup'.

**Fang Logstrup**  
Managing Director



# IEC 62208 Certified

---

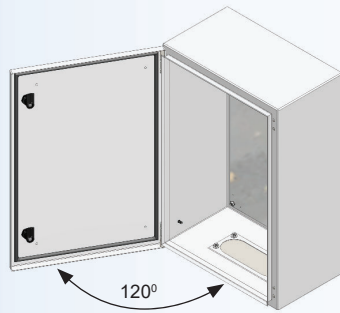
## Mild Steel Boxes IP66

## Stainless Steel Boxes IP66/ IP69K

## Terminal Boxes IP66

---

- Door open angle 120°
- Hinged right or left
- Wide range of sizes
- Wide range of accessories
- Special colours/ sizes/ cutouts



**MILD STEEL BOX IP66 ■**  
**SINGLE DOOR**  
**STANDARD GLAND**

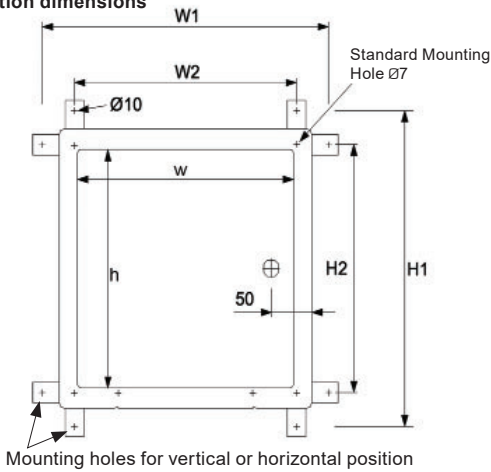
**PULVER LAKERET BOX IP66 ■**  
**ÉN DØR**  
**STANDARD FLANGE**

TYPE	DESCRIPTION	SIZE (W×H×D)	LOCKS	WEIGHT (kg)	ORDER No. RAL 7035 FTF.
BOX 2.2-150	MILD STEEL BOX IP66	200 × 200 × 150	1	2.91	55500
BOX 2.3-150	MILD STEEL BOX IP66	200 × 300 × 150	1	3.97	55520
BOX 2.5.3-150	MILD STEEL BOX IP66	250 × 300 × 150	1	4.92	55550
BOX 3.3-150	MILD STEEL BOX IP66	300 × 300 × 150	1	5.63	55580
BOX 3.3-175	MILD STEEL BOX IP66	300 × 300 × 175	1	5.94	55590
BOX 3.3-200	MILD STEEL BOX IP66	300 × 300 × 200	1	6.24	55600
BOX 3.4-150	MILD STEEL BOX IP66	300 × 400 × 150	2	7.06	55610
BOX 3.4-175	MILD STEEL BOX IP66	300 × 400 × 175	2	7.41	55620
BOX 3.4-200	MILD STEEL BOX IP66	300 × 400 × 200	2	7.77	55630
BOX 3.5-250	MILD STEEL BOX IP66	300 × 500 × 250	2	5.36	55670
BOX 4.3-150	MILD STEEL BOX IP66	400 × 300 × 150	1	7.06	55680
BOX 4.3-175	MILD STEEL BOX IP66	400 × 300 × 175	1	7.41	55690
BOX 4.3-200	MILD STEEL BOX IP66	400 × 300 × 200	1	7.77	55700
BOX 4.4-150	MILD STEEL BOX IP66	400 × 400 × 150	2	8.86	55710
BOX 4.4-175	MILD STEEL BOX IP66	400 × 400 × 175	2	9.27	55720
BOX 4.4-200	MILD STEEL BOX IP66	400 × 400 × 200	2	9.67	55730
BOX 4.5-150	MILD STEEL BOX IP66	400 × 500 × 150	2	10.66	55740
BOX 4.5-175	MILD STEEL BOX IP66	400 × 500 × 175	2	11.12	55750
BOX 4.5-200	MILD STEEL BOX IP66	400 × 500 × 200	2	11.57	55760
BOX 4.5-250	MILD STEEL BOX IP66	400 × 500 × 250	2	13.77	55770
BOX 4.6-200	MILD STEEL BOX IP66	400 × 600 × 200	2	15.87	55810
BOX 4.6-250	MILD STEEL BOX IP66	400 × 600 × 250	2	17.13	55820
BOX 4.6-300	MILD STEEL BOX IP66	400 × 600 × 300	2	17.48	55830
BOX 4.7-200	MILD STEEL BOX IP66	400 × 700 × 200	2	18.09	55860
BOX 5.5-200	MILD STEEL BOX IP66	500 × 500 × 200	2	18.52	56000
BOX 5.6-200	MILD STEEL BOX IP66	500 × 600 × 200	2	18.94	56040
BOX 5.7-200	MILD STEEL BOX IP66	500 × 700 × 200	2	21.59	56060
BOX 5.7-250	MILD STEEL BOX IP66	500 × 700 × 250	2	23.11	56070
BOX 6.4-200	MILD STEEL BOX IP66	600 × 400 × 200	2	16.18	56150
BOX 6.4-300	MILD STEEL BOX IP66	600 × 400 × 300	2	18.71	56170
BOX 6.5-200	MILD STEEL BOX IP66	600 × 500 × 200	2	19.25	56180
BOX 6.6-200	MILD STEEL BOX IP66	600 × 600 × 200	2	22.32	56190
BOX 6.6-300	MILD STEEL BOX IP66	600 × 600 × 300	2	25.37	56210
BOX 6.7-200	MILD STEEL BOX IP66	600 × 700 × 200	2	25.49	56220
BOX 6.8-200	MILD STEEL BOX IP66	600 × 800 × 200	3	28.57	56755
BOX 6.8-250	MILD STEEL BOX IP66	600 × 800 × 250	3	30.35	56760
BOX 6.8-300	MILD STEEL BOX IP66	600 × 800 × 300	3	32.13	56765
BOX 6.10-200	MILD STEEL BOX IP66	600 × 1000 × 200	3	34.75	56775
BOX 6.10-300	MILD STEEL BOX IP66	600 × 1000 × 300	3	38.81	56785
BOX 6.12-200	MILD STEEL BOX IP66	600 × 1200 × 200	3	40.92	56790
BOX 8.8-300	MILD STEEL BOX IP66	800 × 800 × 300	3	46.20	56820
BOX 8.10-200	MILD STEEL BOX IP66	800 × 1000 × 200	3	44.45	56830
BOX 8.10-250	MILD STEEL BOX IP66	800 × 1000 × 250	3	46.73	56835
BOX 8.10-300	MILD STEEL BOX IP66	800 × 1000 × 300	3	49.02	56840

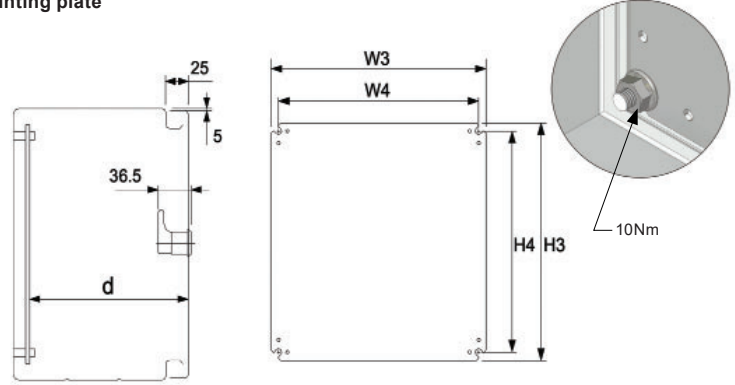
All dimensions are given in mm.



Installation dimensions



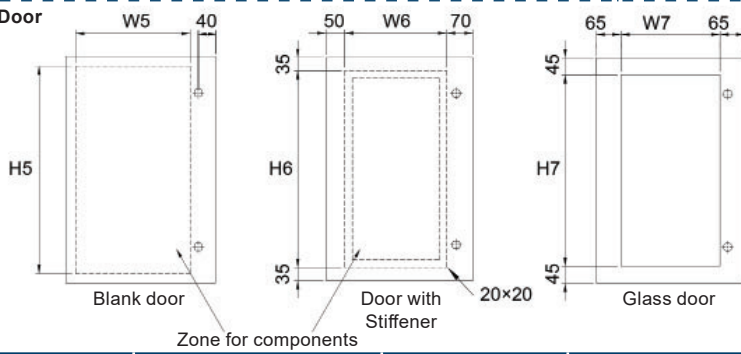
Mounting plate



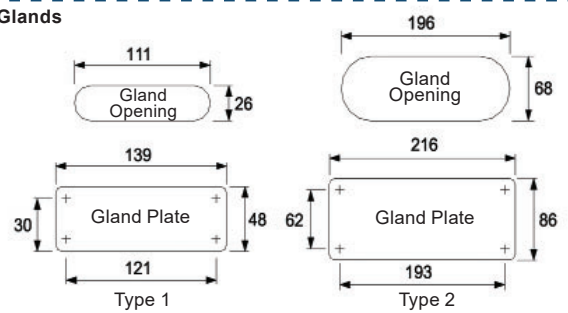
ORDER INFORMATION

ORDER No.	DESCRIPTION
xxxx-01	Box with Steel Locks
xxxx-03	Box with Plastic Knob Locks

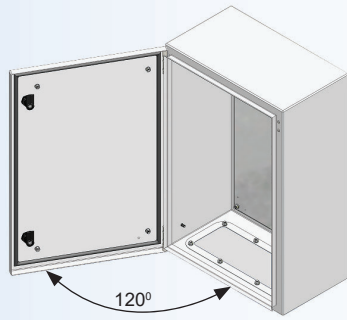
Door



Glands



TYPE	INSTALLATION DIMENSIONS				INTERNAL DIMENSIONS			MOUNTING PLATE				BLANK DOOR		DOOR WITH STIFFENER		GLASS DOOR		TYPE OF GLAND	NO. OF GLANDS
	W1	W2	H1	H2	w	h	d	W3	W4	H3	H4	W5	H5	W6	H6	W7	H7		
BOX 2.2-150	240	160	240	160	150	150	135	148	125	148	125	100	140	-	-	-	-	1	1
BOX 2.3-150	240	160	340	260	150	250	135	148	125	248	225	100	240	-	-	-	-	1	1
BOX 2.5.3-150	290	210	340	260	200	250	135	198	175	248	225	150	240	-	-	-	-	2	1
BOX 3.3-150	340	260	340	260	250	250	135	248	225	248	225	200	240	-	-	-	-	2	1
BOX 3.3-175	340	260	340	260	250	250	160	248	225	248	225	200	240	-	-	-	-	2	1
BOX 3.3-200	340	260	340	260	250	250	185	248	225	248	225	200	240	-	-	-	-	2	1
BOX 3.4-150	340	260	440	360	250	350	135	248	225	348	325	200	340	-	-	-	-	2	1
BOX 3.4-175	340	260	440	360	250	350	160	248	225	348	325	200	340	-	-	-	-	2	1
BOX 3.4-200	340	260	440	360	250	350	185	248	225	348	325	200	340	-	-	-	-	2	1
BOX 3.5-250	340	260	540	460	250	450	235	248	225	448	425	200	440	-	-	-	-	2	1
BOX 4.3-150	440	360	340	260	350	250	135	348	325	248	225	300	240	-	-	-	-	2	1
BOX 4.3-175	440	360	340	260	350	250	160	348	325	248	225	300	240	-	-	-	-	2	1
BOX 4.3-200	440	360	340	260	350	250	185	348	325	248	225	300	240	-	-	-	-	2	1
BOX 4.4-150	440	360	440	360	350	350	135	348	325	348	325	300	340	-	-	260	300	2	1
BOX 4.4-175	440	360	440	360	350	350	160	348	325	348	325	300	340	-	-	260	300	2	1
BOX 4.4-200	440	360	440	360	350	350	185	348	325	348	325	300	340	-	-	260	300	2	1
BOX 4.5-150	440	360	540	460	350	450	135	348	325	448	425	300	440	-	-	260	400	2	1
BOX 4.5-175	440	360	540	460	350	450	160	348	325	448	425	300	440	-	-	260	400	2	1
BOX 4.5-200	440	360	540	460	350	450	185	348	325	448	425	300	440	-	-	260	400	2	1
BOX 4.5-250	440	360	540	460	350	450	235	348	325	448	425	300	440	-	-	260	400	2	1
BOX 4.6-200	440	360	640	560	350	550	185	348	325	548	525	300	540	-	-	260	500	2	1
BOX 4.6-250	440	360	640	560	350	550	235	348	325	548	525	300	540	-	-	260	500	2	1
BOX 4.6-300	440	360	640	560	350	550	285	348	325	548	525	300	540	-	-	260	500	2	1
BOX 4.7-200	440	360	740	660	350	650	185	348	325	648	625	300	640	-	-	260	600	2	1
BOX 5.5-200	540	460	540	460	450	450	185	448	425	448	425	400	440	-	-	360	400	2	1
BOX 5.6-200	540	460	640	560	450	550	185	448	425	548	525	400	540	-	-	360	500	2	1
BOX 5.7-200	540	460	740	660	450	650	185	448	425	648	625	400	640	-	-	360	600	2	1
BOX 5.7-250	540	460	740	660	450	650	235	448	425	648	625	400	640	-	-	360	600	2	1
BOX 6.4-200	640	560	440	360	550	350	185	548	525	348	325	500	340	-	-	460	300	2	2
BOX 6.4-300	640	560	440	360	550	350	285	548	525	348	325	500	340	-	-	460	300	2	2
BOX 6.5-200	640	560	540	460	550	450	185	548	525	448	425	500	440	-	-	460	400	2	2
BOX 6.6-200	640	560	640	560	550	550	185	548	525	548	525	500	540	-	-	460	500	2	2
BOX 6.6-300	640	560	640	560	550	550	285	548	525	548	525	500	540	-	-	460	500	2	2
BOX 6.7-200	640	560	740	660	550	650	185	548	525	648	625	500	640	-	-	460	600	2	2
BOX 6.8-200	640	560	840	760	550	750	185	548	525	748	725	500	740	-	-	460	700	2	2
BOX 6.8-250	640	560	840	760	550	750	235	548	525	748	725	500	740	-	-	460	700	2	2
BOX 6.8-300	640	560	840	760	550	750	285	548	525	748	725	500	740	-	-	460	700	2	2
BOX 6.10-200	640	560	1040	960	550	950	185	548	525	948	925	500	940	-	-	460	900	2	2
BOX 6.10-300	640	560	1040	960	550	950	285	548	525	948	925	500	940	-	-	460	900	2	2
BOX 6.12-200	640	560	1240	1160	550	1150	185	548	525	1148	1125	500	1140	-	-	460	1100	2	2
BOX 8.8-300	840	760	840	760	750	750	285	748	725	748	725	700	740	-	-	660	700	2	2
BOX 8.10-200	840	760	1040	960	750	950	185	748	725	948	925	-	-	630	800	660	900	2	2
BOX 8.10-250	840	760	1040	960	750	950	235	748	725	948	925	-	-	630	800	660	900	2	2
BOX 8.10-300	840	760	1040	960	750	950	285	748	725	948	925	-	-	630	800	660	900	2	2



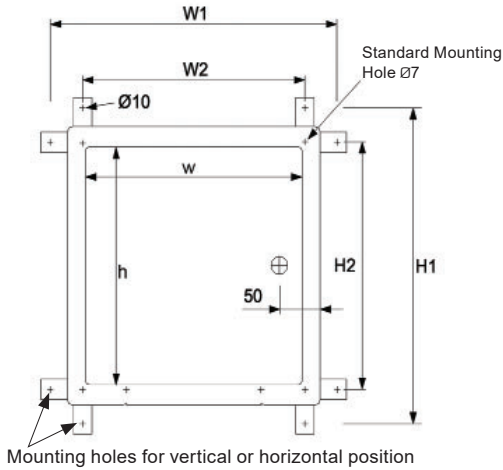
**MILD STEEL BOX IP66 ■**  
**SINGLE DOOR**  
**BIG GLAND**

**PULVER LAKERET BOX IP66 ■**  
**ÉN DØR**  
**STOR FLANGE**

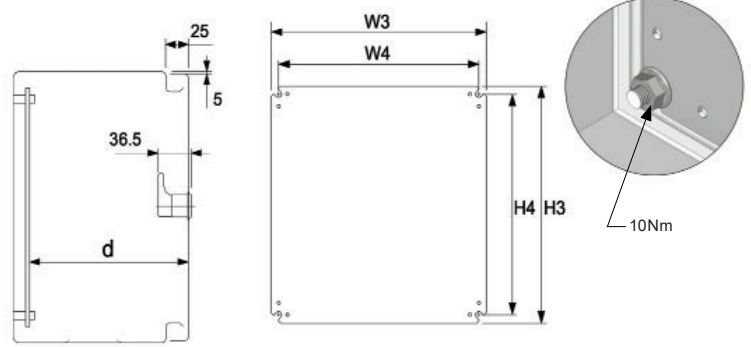
TYPE	DESCRIPTION	SIZE (W×H×D)	LOCKS	WEIGHT (kg)	ORDER No. RAL 7035 FTf.
BOX 4.3-150 BG	MILD STEEL BOX IP66	400 × 300 × 150	1	7.06	57680
BOX 4.3-175 BG	MILD STEEL BOX IP66	400 × 300 × 175	1	7.41	57690
BOX 4.3-200 BG	MILD STEEL BOX IP66	400 × 300 × 200	1	7.77	57700
BOX 4.4-150 BG	MILD STEEL BOX IP66	400 × 400 × 150	2	8.86	57710
BOX 4.4-175 BG	MILD STEEL BOX IP66	400 × 400 × 175	2	9.27	57720
BOX 4.4-200 BG	MILD STEEL BOX IP66	400 × 400 × 200	2	9.67	57730
BOX 4.5-150 BG	MILD STEEL BOX IP66	400 × 500 × 150	2	10.66	57740
BOX 4.5-175 BG	MILD STEEL BOX IP66	400 × 500 × 175	2	11.12	57750
BOX 4.5-200 BG	MILD STEEL BOX IP66	400 × 500 × 200	2	11.57	57760
BOX 4.5-250 BG	MILD STEEL BOX IP66	400 × 500 × 250	2	13.77	57770
BOX 4.6-200 BG	MILD STEEL BOX IP66	400 × 600 × 200	2	15.87	57810
BOX 4.6-250 BG	MILD STEEL BOX IP66	400 × 600 × 250	2	17.13	57820
BOX 4.6-300 BG	MILD STEEL BOX IP66	400 × 600 × 300	2	17.48	57830
BOX 4.7-200 BG	MILD STEEL BOX IP66	400 × 700 × 200	2	18.09	57860
BOX 5.5-200 BG	MILD STEEL BOX IP66	500 × 500 × 200	2	18.52	58000
BOX 5.6-200 BG	MILD STEEL BOX IP66	500 × 600 × 200	2	18.94	58040
BOX 5.7-200 BG	MILD STEEL BOX IP66	500 × 700 × 200	2	21.59	58060
BOX 5.7-250 BG	MILD STEEL BOX IP66	500 × 700 × 250	2	23.11	58070
BOX 6.4-200 BG	MILD STEEL BOX IP66	600 × 400 × 200	2	16.18	58150
BOX 6.4-300 BG	MILD STEEL BOX IP66	600 × 400 × 300	2	18.71	58170
BOX 6.5-200 BG	MILD STEEL BOX IP66	600 × 500 × 200	2	19.25	58180
BOX 6.6-200 BG	MILD STEEL BOX IP66	600 × 600 × 200	2	22.32	58190
BOX 6.6-300 BG	MILD STEEL BOX IP66	600 × 600 × 300	2	25.37	58210
BOX 6.7-200 BG	MILD STEEL BOX IP66	600 × 700 × 200	2	25.49	58220
BOX 6.8-200 BG	MILD STEEL BOX IP66	600 × 800 × 200	3	28.57	58640
BOX 6.8-250 BG	MILD STEEL BOX IP66	600 × 800 × 250	3	30.35	58645
BOX 6.8-300 BG	MILD STEEL BOX IP66	600 × 800 × 300	3	32.13	58650
BOX 6.10-200 BG	MILD STEEL BOX IP66	600 × 1000 × 200	3	34.75	58660
BOX 6.10-300 BG	MILD STEEL BOX IP66	600 × 1000 × 300	3	38.81	58670
BOX 6.12-200 BG	MILD STEEL BOX IP66	600 × 1200 × 200	3	40.92	58675
BOX 8.8-300 BG	MILD STEEL BOX IP66	800 × 800 × 300	3	46.20	58710
BOX 8.10-200 BG	MILD STEEL BOX IP66	800 × 1000 × 200	3	44.45	58720
BOX 8.10-250 BG	MILD STEEL BOX IP66	800 × 1000 × 250	3	46.73	58725
BOX 8.10-300 BG	MILD STEEL BOX IP66	800 × 1000 × 300	3	49.02	58730



### Installation dimensions



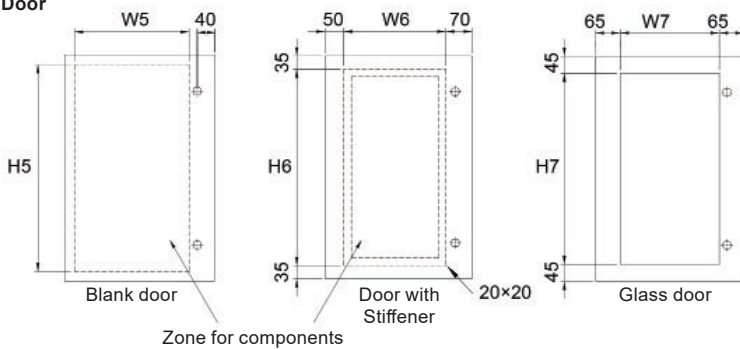
### Mounting plate



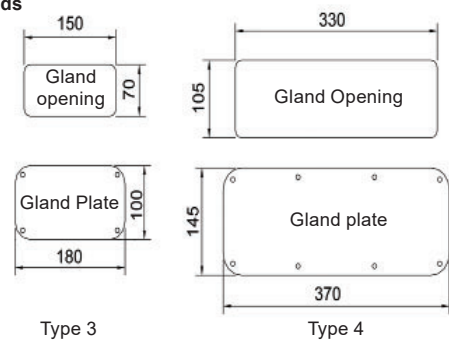
### ORDER INFORMATION

ORDER No.	DESCRIPTION
xxxxx-01	Box with Steel Locks
xxxxx-03	Box with Plastic Knob Locks

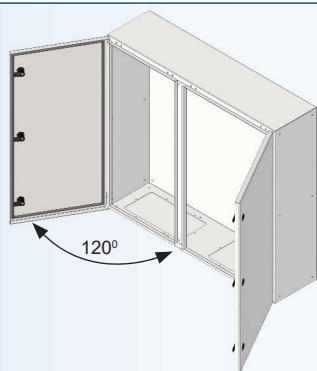
### Door



### Glands



TYPE	INSTALLATION DIMENSIONS				INTERNAL DIMENSIONS			MOUNTING PLATE				BLANK DOOR		DOOR WITH STIFFENER		GLASS DOOR		TYPE OF GLAND	NO. OF GLANDS
	W1	W2	H1	H2	w	h	d	W3	W4	H3	H4	W5	H5	W6	H6	W7	H7		
BOX 4.3-150 BG	440	360	340	260	350	250	135	348	325	248	225	300	240	-	-	-	-	3	2
BOX 4.3-175 BG	440	360	340	260	350	250	160	348	325	248	225	300	240	-	-	-	-	3	2
BOX 4.3-200 BG	440	360	340	260	350	250	185	348	325	248	225	300	240	-	-	-	-	4	1
BOX 4.4-150 BG	440	360	440	360	350	350	135	348	325	348	325	300	340	-	-	260	300	3	2
BOX 4.4-175 BG	440	360	440	360	350	350	160	348	325	348	325	300	340	-	-	260	300	3	2
BOX 4.4-200 BG	440	360	440	360	350	350	185	348	325	348	325	300	340	-	-	260	300	4	1
BOX 4.5-150 BG	440	360	540	460	350	450	135	348	325	448	425	300	440	-	-	260	400	3	2
BOX 4.5-175 BG	440	360	540	460	350	450	160	348	325	448	425	300	440	-	-	260	400	3	2
BOX 4.5-200 BG	440	360	540	460	350	450	185	348	325	448	425	300	440	-	-	260	400	4	1
BOX 4.5-250 BG	440	360	540	460	350	450	235	348	325	448	425	300	440	-	-	260	400	4	1
BOX 4.6-200 BG	440	360	640	560	350	550	185	348	325	548	525	300	540	-	-	260	500	4	1
BOX 4.6-250 BG	440	360	640	560	350	550	235	348	325	548	525	300	540	-	-	260	500	4	1
BOX 4.6-300 BG	440	360	640	560	350	550	285	348	325	548	525	300	540	-	-	260	500	4	1
BOX 4.7-200 BG	440	360	740	660	350	650	185	348	325	648	625	300	640	-	-	260	600	4	1
BOX 5.5-200 BG	540	460	540	460	450	450	185	448	425	448	425	400	440	-	-	360	400	4	1
BOX 5.6-200 BG	540	460	640	560	450	550	185	448	425	548	525	400	540	-	-	360	500	4	1
BOX 5.7-200 BG	540	460	740	660	450	650	185	448	425	648	625	400	640	-	-	360	600	4	1
BOX 5.7-250 BG	540	460	740	660	450	650	235	448	425	648	625	400	640	-	-	360	600	4	1
BOX 6.4-200 BG	640	560	440	360	550	350	185	548	525	348	325	500	340	-	-	460	300	4	1
BOX 6.4-300 BG	640	560	440	360	550	350	285	548	525	348	325	500	340	-	-	460	300	4	1
BOX 6.5-200 BG	640	560	540	460	550	450	185	548	525	448	425	500	440	-	-	460	400	4	1
BOX 6.6-200 BG	640	560	640	560	550	550	185	548	525	548	525	500	540	-	-	460	500	4	1
BOX 6.6-300 BG	640	560	640	560	550	550	285	548	525	548	525	500	540	-	-	460	500	4	1
BOX 6.7-200 BG	640	560	740	660	550	650	185	548	525	648	625	500	640	-	-	460	600	4	1
BOX 6.8-200 BG	640	560	840	760	550	750	185	548	525	748	725	500	740	-	-	460	700	4	1
BOX 6.8-250 BG	640	560	840	760	550	750	235	548	525	748	725	500	740	-	-	460	700	4	1
BOX 6.8-300 BG	640	560	840	760	550	750	285	548	525	748	725	500	740	-	-	460	700	4	1
BOX 6.10-200 BG	640	560	1040	960	550	950	185	548	525	948	925	500	940	-	-	460	900	4	1
BOX 6.10-300 BG	640	560	1040	960	550	950	285	548	525	948	925	500	940	-	-	460	900	4	1
BOX 6.12-200 BG	640	560	1240	1160	550	1150	185	548	525	1148	1125	500	1140	-	-	460	1100	4	1
BOX 8.8-300 BG	840	760	840	760	750	750	285	748	725	748	725	700	740	-	-	660	700	4	1
BOX 8.10-200 BG	840	760	1040	960	750	950	185	748	725	948	925	-	-	630	800	660	900	4	1
BOX 8.10-250 BG	840	760	1040	960	750	950	235	748	725	948	925	-	-	630	800	660	900	4	1
BOX 8.10-300 BG	840	760	1040	960	750	950	285	748	725	948	925	-	-	630	800	660	900	4	1



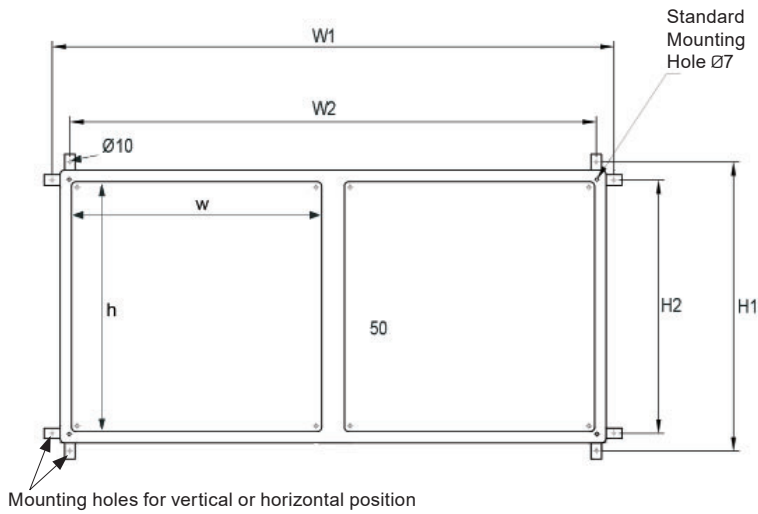
**MILD STEEL BOX IP66 ■**  
**DOUBLE DOOR**  
**BIG GLAND**

**PULVER LAKERET BOX IP66 ■**  
**DOBBELT DØR**  
**STOR FLANGE**

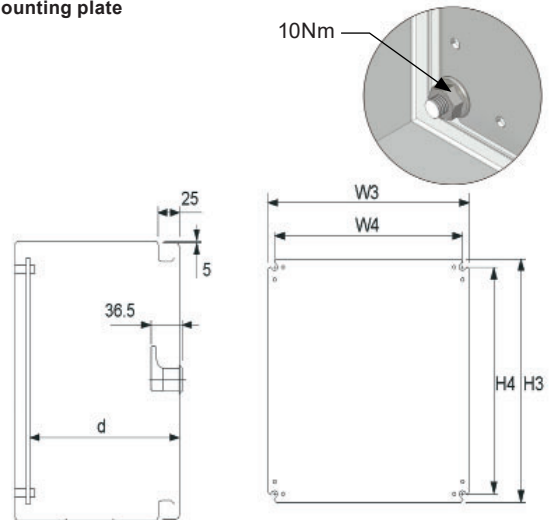
TYPE	DESCRIPTION	SIZE (W×H×D)	LOCKS	WEIGHT (kg)	ORDER No. RAL 7035 FTf.
DDB 10.10-3	MILD STEEL BOX IP66	1000 × 1000 × 300	6	55.1	55400
DDB 10.12-3	MILD STEEL BOX IP66	1000 × 1200 × 300	6	66.1	55410
DDB 10.14-3	MILD STEEL BOX IP66	1000 × 1400 × 300	6	75.9	55460
DDB 12.8-3	MILD STEEL BOX IP66	1200 × 800 × 300	6	52.9	55420
DDB 12.12-3	MILD STEEL BOX IP66	1200 × 1200 × 300	6	75.2	55430
DDB 12.12-4	MILD STEEL BOX IP66	1200 × 1200 × 400	6	80.9	55440
DDB 14.10-3	MILD STEEL BOX IP66	1400 × 1000 × 300	6	77.2	55450



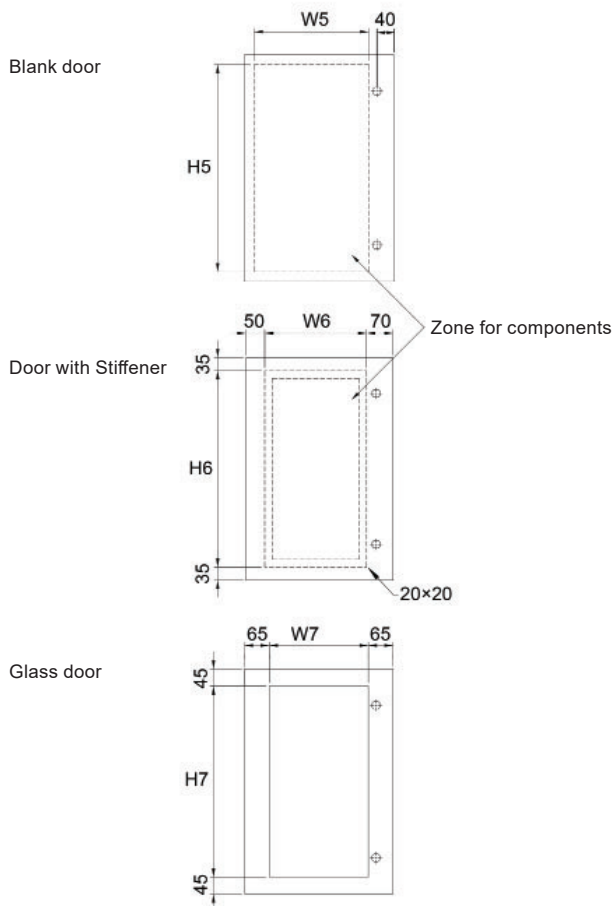
## Installation dimensions



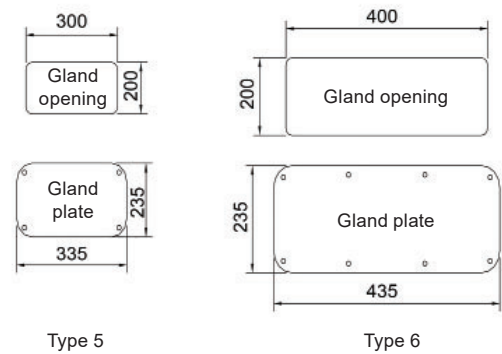
## Mounting plate



## Door



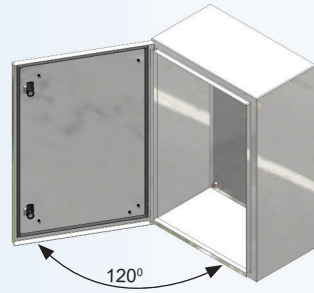
## Glands



## ORDER INFORMATION

ORDER No.	DESCRIPTION
xxxx-01	Box with Steel Locks
xxxx-03	Box with Plastic Knob Locks

TYPE	INSTALLATION DIMENSIONS				INTERNAL DIMENSIONS			MOUNTING PLATE				BLANK DOOR		GLASS DOOR		TYPE OF GLAND	NO. OF GLANDS
	W1	W2	H1	H2	w	h	d	W3	W4	H3	H4	W5	H5	W7	H7		
DDB 10.10-3	1040	960	1040	960	450	950	285	448	425	948	925	900	940	860	900	5	2
DDB 10.12-3	1040	960	1240	1160	450	1150	285	448	425	1148	1125	900	1140	860	1100	5	2
DDB 12.8-3	1240	1160	840	760	550	750	285	548	525	748	725	1100	740	1060	700	6	2
DDB 12.12-3	1240	1160	1240	1160	550	1150	285	548	525	1148	1125	1100	1140	1060	1100	6	2
DDB 12.12-4	1240	1160	1240	1160	550	1150	385	548	525	1148	1125	1100	1140	1060	1100	6	2
DDB 14.10-3	1440	1360	1040	960	650	950	285	648	625	948	925	1300	940	1260	900	6	2



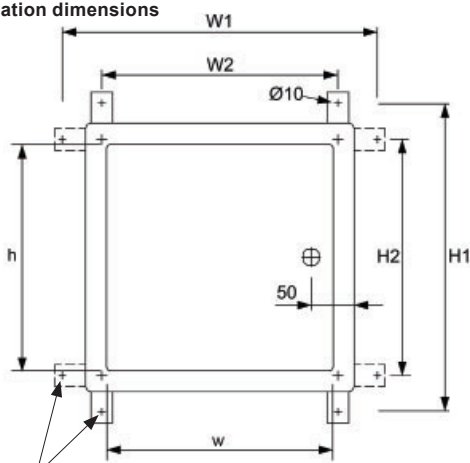
## STAINLESS STEEL BOX IP66 ■

## RUSTFRI BOX IP66 ■

TYPE	DESCRIPTION	SIZE (W×H×D)	LOCKS	WEIGHT (kg)	ORDER No. AISI 304	ORDER No. AISI 316
SBOX 2.2-150	STAINLESS STEEL BOX IP66	200 × 200 × 150	1	4.56	63500	64000
SBOX 2.3-150	STAINLESS STEEL BOX IP66	200 × 300 × 150	1	5.78	63505	64005
SBOX 2.5.3-150	STAINLESS STEEL BOX IP66	250 × 300 × 150	1	6.60	63510	64010
SBOX 3.3-150	STAINLESS STEEL BOX IP66	300 × 300 × 150	1	7.42	63515	64015
SBOX 3.3-200	STAINLESS STEEL BOX IP66	300 × 300 × 200	1	8.16	63520	64020
SBOX 3.4-150	STAINLESS STEEL BOX IP66	300 × 400 × 150	2	9.06	63525	64025
SBOX 3.4-200	STAINLESS STEEL BOX IP66	300 × 400 × 200	2	10.93	63530	64030
SBOX 4.3-150	STAINLESS STEEL BOX IP66	400 × 300 × 150	1	9.06	63545	64045
SBOX 4.3-200	STAINLESS STEEL BOX IP66	400 × 300 × 200	1	10.93	63550	64050
SBOX 4.4-150	STAINLESS STEEL BOX IP66	400 × 400 × 150	2	11.13	63555	64055
SBOX 4.4-200	STAINLESS STEEL BOX IP66	400 × 400 × 200	2	13.13	63560	64060
SBOX 4.5-150	STAINLESS STEEL BOX IP66	400 × 500 × 150	2	13.20	63570	64070
SBOX 4.5-200	STAINLESS STEEL BOX IP66	400 × 500 × 200	2	15.33	63575	64075
SBOX 4.5-250	STAINLESS STEEL BOX IP66	400 × 500 × 250	2	16.12	63580	64080
SBOX 4.6-200	STAINLESS STEEL BOX IP66	400 × 600 × 200	2	17.52	63585	64085
SBOX 4.6-250	STAINLESS STEEL BOX IP66	400 × 600 × 250	2	18.45	63590	64090
SBOX 4.7-200	STAINLESS STEEL BOX IP66	400 × 700 × 200	2	19.72	63600	64100
SBOX 5.5-200	STAINLESS STEEL BOX IP66	500 × 500 × 200	2	19.16	63655	64155
SBOX 5.5-250	STAINLESS STEEL BOX IP66	500 × 500 × 250	2	20.23	63656	64161
SBOX 5.6-200	STAINLESS STEEL BOX IP66	500 × 600 × 200	2	20.58	63660	64160
SBOX 5.6-250	STAINLESS STEEL BOX IP66	500 × 600 × 250	2	20.72	63662	64156
SBOX 5.7-200	STAINLESS STEEL BOX IP66	500 × 700 × 200	2	23.20	63665	64165
SBOX 5.7-250	STAINLESS STEEL BOX IP66	500 × 700 × 250	2	24.18	63670	64170
SBOX 6.4-200	STAINLESS STEEL BOX IP66	600 × 400 × 200	2	17.52	63705	64205
SBOX 6.4-300	STAINLESS STEEL BOX IP66	600 × 400 × 300	2	17.73	63710	64210
SBOX 6.5-200	STAINLESS STEEL BOX IP66	600 × 500 × 200	2	20.58	63715	64215
SBOX 6.6-200	STAINLESS STEEL BOX IP66	600 × 600 × 200	2	23.63	63720	64220
SBOX 6.6-300	STAINLESS STEEL BOX IP66	600 × 600 × 300	2	24.35	63730	64230
SBOX 6.7-200	STAINLESS STEEL BOX IP66	600 × 700 × 200	2	26.68	63735	64235
SBOX 6.8-200	STAINLESS STEEL BOX IP66	600 × 800 × 200	3	29.74	63745	64245
SBOX 6.8-250	STAINLESS STEEL BOX IP66	600 × 800 × 250	3	32.73	63750	64250
SBOX 6.8-300	STAINLESS STEEL BOX IP66	600 × 800 × 300	3	34.63	63755	64255
SBOX 6.10-200	STAINLESS STEEL BOX IP66	600 × 1000 × 200	3	35.84	63760	64260
SBOX 6.12-200	STAINLESS STEEL BOX IP66	600 × 1200 × 200	3	41.00	63775	64275
SBOX 8.8-200	STAINLESS STEEL BOX IP66	800 × 800 × 200	3	39.30	63850	64350
SBOX 8.8-300	STAINLESS STEEL BOX IP66	800 × 800 × 300	3	41.45	63855	64355
SBOX 8.10-200	STAINLESS STEEL BOX IP66	800 × 1000 × 200	3	45.37	63860	64360
SBOX 8.10-250	STAINLESS STEEL BOX IP66	800 × 1000 × 250	3	45.32	63865	64365
SBOX 8.10-300	STAINLESS STEEL BOX IP66	800 × 1000 × 300	3	47.63	63870	64370
SBOX 8.12-200	STAINLESS STEEL BOX IP66	800 × 1200 × 200	3	50.83	63875	64375
SBOX 8.12-250	STAINLESS STEEL BOX IP66	800 × 1200 × 250	3	53.39	63880	64380
SBOX 8.12-300	STAINLESS STEEL BOX IP66	800 × 1200 × 300	3	55.96	63885	64385
SBOX 10.10-200	STAINLESS STEEL BOX IP66	1000 × 1000 × 200	3	52.54	63950	64450
SBOX 10.10-300	STAINLESS STEEL BOX IP66	1000 × 1000 × 300	3	57.67	63955	64455
SBOX 10.12-300	STAINLESS STEEL BOX IP66	1000 × 1200 × 300	3	67.71	63960	64460

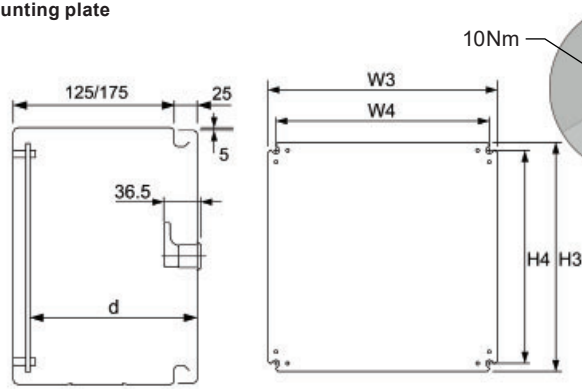


Installation dimensions

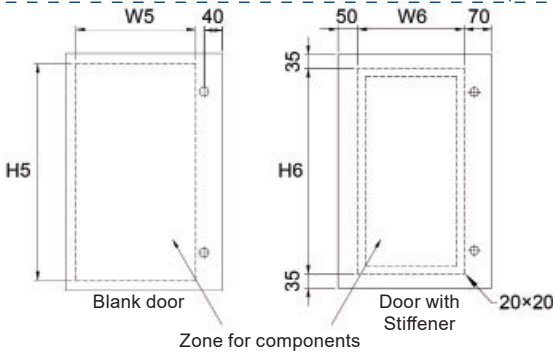


Mounting holes for vertical or horizontal position

Mounting plate



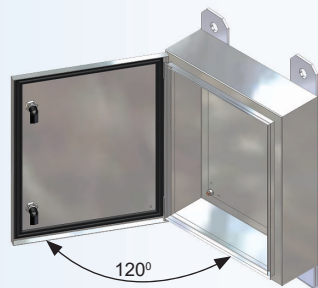
Door



ORDER INFORMATION

ORDER No.	DESCRIPTION
xxxx-02	Box with holes for Wall Mounting Brackets
xxxx-04	Box with Stainless Steel Knob Lock

TYPE	INSTALLATION DIMENSIONS				INTERNAL DIMENSIONS			MOUNTING PLATE				BLANK DOOR		DOOR WITH STIFFENER	
	W1	W2	H1	H2	w	h	d	W3	W4	H3	H4	W5	H5	W6	H6
SBOX 2.2-150	250	160	250	160	150	150	135	148	125	148	125	100	140	-	-
SBOX 2.3-150	250	160	350	260	150	250	135	148	125	248	225	100	240	-	-
SBOX 2.5.3-150	300	210	350	260	200	250	135	198	175	248	225	150	240	-	-
SBOX 3.3-150	350	260	350	260	250	250	135	248	225	248	225	200	240	-	-
SBOX 3.3-200	350	260	350	260	250	250	185	248	225	248	225	200	240	-	-
SBOX 3.4-150	350	260	450	360	250	350	135	248	225	348	325	200	340	-	-
SBOX 3.4-200	350	260	450	360	250	350	185	248	225	348	325	200	340	-	-
SBOX 4.3-150	450	360	350	260	350	250	135	348	325	248	225	300	240	-	-
SBOX 4.3-200	450	360	350	260	350	250	185	348	325	248	225	300	240	-	-
SBOX 4.4-150	450	360	450	360	350	350	135	348	325	348	325	300	340	-	-
SBOX 4.4-200	450	360	450	360	350	350	185	348	325	348	325	300	340	-	-
SBOX 4.5-150	450	360	550	460	350	450	135	348	325	448	425	300	440	-	-
SBOX 4.5-200	450	360	550	460	350	450	185	348	325	448	425	300	440	-	-
SBOX 4.5-250	450	360	550	460	350	450	235	348	325	448	425	300	440	-	-
SBOX 4.6-200	450	360	650	560	350	550	185	348	325	548	525	300	540	-	-
SBOX 4.6-250	450	360	650	560	350	550	235	348	325	548	525	300	540	-	-
SBOX 4.7-200	450	360	750	660	350	650	185	348	325	648	625	300	640	-	-
SBOX 5.5-200	550	460	550	460	450	450	185	448	425	448	425	400	440	-	-
SBOX 5.5-250	550	460	550	460	450	450	235	448	425	448	425	400	440	-	-
SBOX 5.6-200	550	460	650	560	450	450	185	448	425	548	525	400	540	-	-
SBOX 5.6-250	550	460	650	560	450	450	235	448	425	548	525	400	540	-	-
SBOX 5.7-200	550	460	750	660	450	650	185	448	425	648	625	400	640	-	-
SBOX 5.7-250	550	460	750	660	450	650	235	448	425	648	625	400	640	-	-
SBOX 6.4-200	650	560	450	360	550	350	185	548	525	348	325	500	340	-	-
SBOX 6.4-300	650	560	450	360	550	350	285	548	525	348	325	500	340	-	-
SBOX 6.5-200	650	560	550	460	550	450	185	548	525	448	425	500	440	-	-
SBOX 6.6-200	650	560	650	560	550	550	185	548	525	548	525	500	540	-	-
SBOX 6.6-300	650	560	650	560	550	550	285	548	525	548	525	500	540	-	-
SBOX 6.7-200	650	560	750	660	550	650	185	548	525	648	625	500	640	-	-
SBOX 6.8-200	650	560	850	760	550	750	185	548	525	748	725	500	740	-	-
SBOX 6.8-250	650	560	850	760	550	750	235	548	525	748	725	500	740	-	-
SBOX 6.8-300	650	760	850	760	550	750	285	548	525	748	725	500	740	-	-
SBOX 6.10-200	650	560	1050	960	550	950	185	548	525	948	925	500	940	-	-
SBOX 6.12-200	650	560	1250	1160	550	1150	185	548	525	1148	1125	500	1140	-	-
SBOX 8.8-200	850	760	850	760	750	750	185	748	725	748	725	700	740	-	-
SBOX 8.8-300	850	760	850	760	750	750	285	748	725	748	725	700	740	-	-
SBOX 8.10-200	850	760	1050	960	750	950	185	748	725	948	925	700	940	620	870
SBOX 8.10-250	850	760	1050	960	750	950	235	748	725	948	925	700	940	620	870
SBOX 8.10-300	850	760	1050	960	750	950	285	748	725	948	925	700	940	620	870
SBOX 8.12-200	850	760	1250	1160	750	1150	185	748	725	1148	1125	700	1140	620	1070
SBOX 8.12-250	850	760	1250	1160	750	1150	235	748	725	1148	1125	700	1140	620	1070
SBOX 8.12-300	850	760	1250	1160	750	1150	285	748	725	1148	1125	700	1140	620	1070
SBOX 10.10-200	1050	960	1050	960	950	950	185	948	925	948	925	900	940	820	870
SBOX 10.10-300	1050	960	1050	960	950	950	285	948	925	948	925	900	940	820	870
SBOX 10.12-300	1050	960	1250	1160	950	1150	285	948	925	1148	1125	900	1140	820	1070

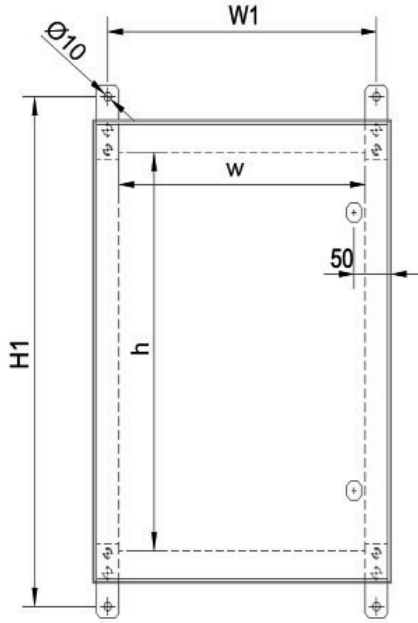


STAINLESS STEEL BOX IP69K ■

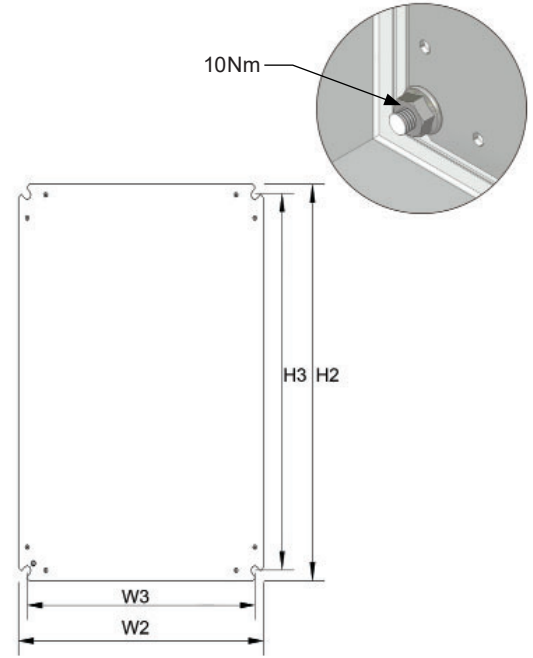
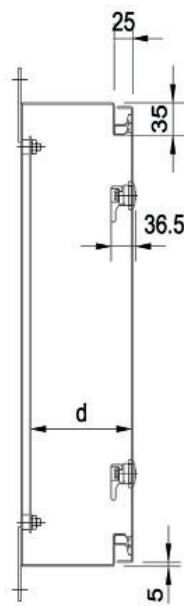
RUSTFRI BOX IP69K ■

TYPE	DESCRIPTION	SIZE (W×H×D)	LOCKS	WEIGHT (kg)	ORDER No.	
					AISI 304	AISI 316
SBOX-69K 3.3-200	STAINLESS STEEL BOX IP69K	300 × 300 × 200	1	9.16	63008	63208
SBOX-69K 3.4-200	STAINLESS STEEL BOX IP69K	300 × 400 × 200	2	10.93	63012	63212
SBOX-69K 4.3-200	STAINLESS STEEL BOX IP69K	400 × 300 × 200	1	10.93	63016	63216
SBOX-69K 4.4-200	STAINLESS STEEL BOX IP69K	400 × 400 × 200	2	13.13	63020	63220
SBOX-69K 4.5-150	STAINLESS STEEL BOX IP69K	400 × 500 × 150	2	13.20	63022	63222
SBOX-69K 4.6-200	STAINLESS STEEL BOX IP69K	400 × 600 × 200	3	17.52	63028	63228
SBOX-69K 5.5-200	STAINLESS STEEL BOX IP69K	500 × 500 × 200	5	20.58	63033	63233
SBOX-69K 5.6-200	STAINLESS STEEL BOX IP69K	500 × 600 × 200	5	21.80	63034	63234
SBOX-69K 5.6-300	STAINLESS STEEL BOX IP69K	500 × 600 × 300	5	23.20	63035	63235
SBOX-69K 6.4-200	STAINLESS STEEL BOX IP69K	600 × 400 × 200	4	17.52	63040	63240
SBOX-69K 6.6-200	STAINLESS STEEL BOX IP69K	600 × 600 × 200	5	23.63	63046	63246
SBOX-69K 6.6-300	STAINLESS STEEL BOX IP69K	600 × 600 × 300	5	24.35	63048	63248
SBOX-69K 6.8-300	STAINLESS STEEL BOX IP69K	600 × 800 × 300	5	30.97	63056	63256

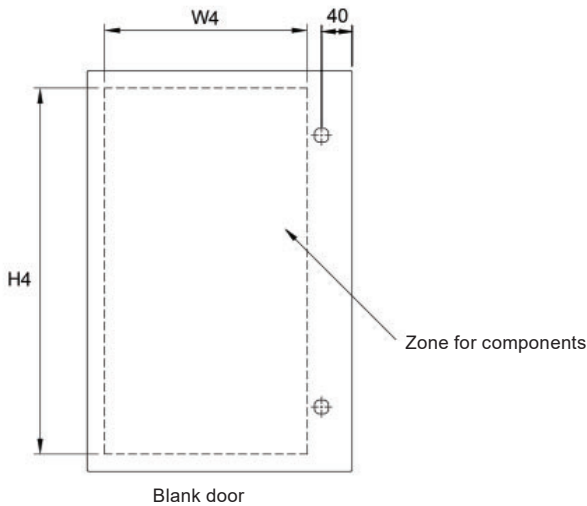
### Installation dimensions



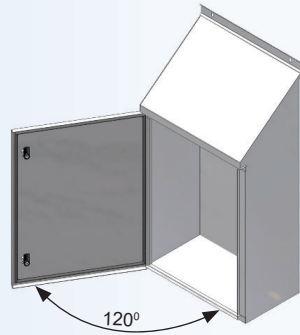
### Mounting plate



### Door



TYPE	INSTALLATION DIMENSIONS		INTERNAL DIMENSIONS			MOUNTING PLATE				BLANK DOOR	
	W1	H1	w	h	d	W2	W3	H2	H3	W4	H4
SBOX-69K 3.3-200	260	350	230	230	185	228	205	228	205	185	220
SBOX-69K 3.4-200	260	450	230	330	185	228	205	328	305	185	320
SBOX-69K 4.3-200	360	350	330	230	185	328	305	228	205	285	220
SBOX-69K 4.4-200	360	450	330	330	185	328	305	328	305	285	320
SBOX-69K 4.5-150	360	550	330	430	135	328	305	428	405	285	420
SBOX-69K 4.6-200	360	650	330	530	185	328	305	528	505	285	520
SBOX-69K 5.5-200	460	550	430	430	185	428	405	428	405	385	420
SBOX-69K 5.6-200	460	650	430	530	185	428	405	528	505	385	520
SBOX-69K 5.6-300	460	650	430	530	285	428	405	528	505	385	520
SBOX-69K 6.4-200	560	450	530	330	185	528	505	328	305	485	320
SBOX-69K 6.6-200	560	650	530	530	185	528	505	528	505	485	520
SBOX-69K 6.6-300	560	650	530	530	285	528	505	528	505	485	520
SBOX-69K 6.8-300	560	850	530	730	285	528	505	728	705	485	720



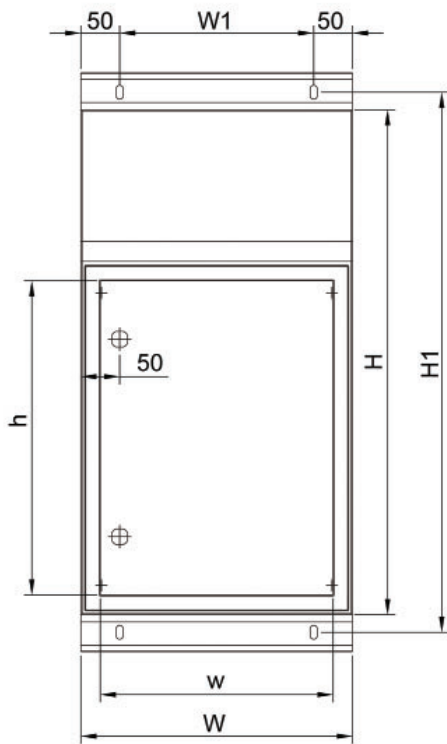
**STAINLESS STEEL BOX IP66 ■**  
**SLOPING ROOF**

**RUSTFRI BOX IP66 ■**  
**SKRÅT TAG**

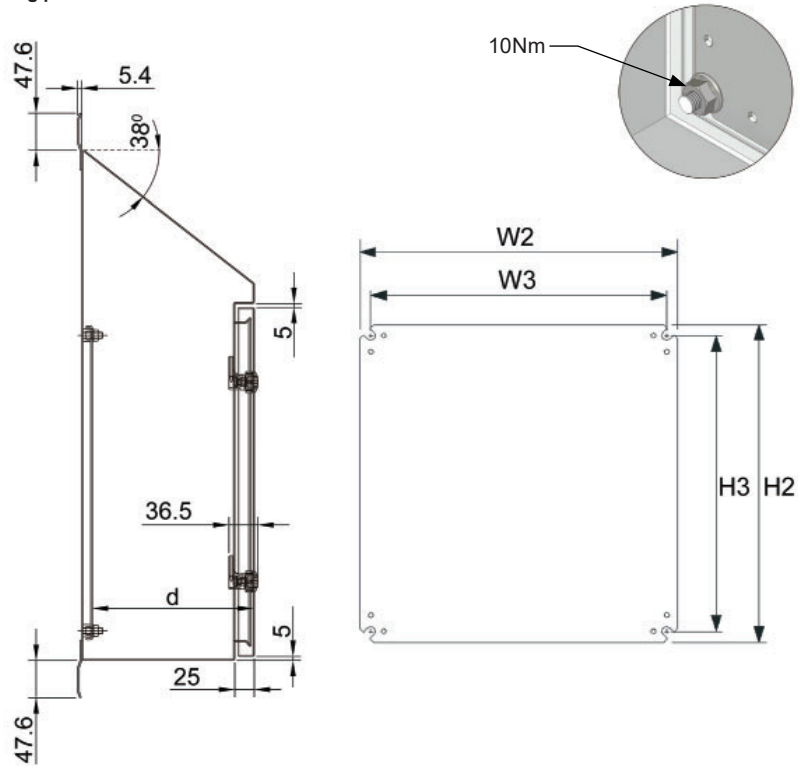
TYPE	DESCRIPTION	SIZE (W×H×D)	LOCKS	WEIGHT (kg)	ORDER No. AISI304	ORDER No. AISI316
SLRB 4.6-250	STAINLESS STEEL BOX IP66	400 × 600 × 250	2	13.6	61700	61720
SLRB 6.6-250	STAINLESS STEEL BOX IP66	600 × 600 × 250	2	20.4	61701	61721
SLRB 6.8-250	STAINLESS STEEL BOX IP66	600 × 800 × 250	2	27.2	61702	61722
SLRB 6.8-300	STAINLESS STEEL BOX IP66	600 × 800 × 300	2	32.6	61703	61723
SLRB 6.10-250	STAINLESS STEEL BOX IP66	600 × 1000 × 250	3	34.1	61704	61724
SLRB 6.10-300	STAINLESS STEEL BOX IP66	600 × 1000 × 300	3	40.6	61705	61725
SLRB 8.8-250	STAINLESS STEEL BOX IP66	800 × 800 × 250	2	36.2	61706	61726
SLRB 8.8-300	STAINLESS STEEL BOX IP66	800 × 800 × 300	2	43.4	61707	61727
SLRB 8.10-250	STAINLESS STEEL BOX IP66	800 × 1000 × 250	3	45.5	61708	61728
SLRB 8.10-300	STAINLESS STEEL BOX IP66	800 × 1000 × 300	3	67.7	61709	61729
SLRB 10.10-300	STAINLESS STEEL BOX IP66	1000 × 1000 × 300	3	84.5	61710	61730
SLRB 10.12-300	STAINLESS STEEL BOX IP66	1000 × 1200 × 300	3	101.5	61711	61731



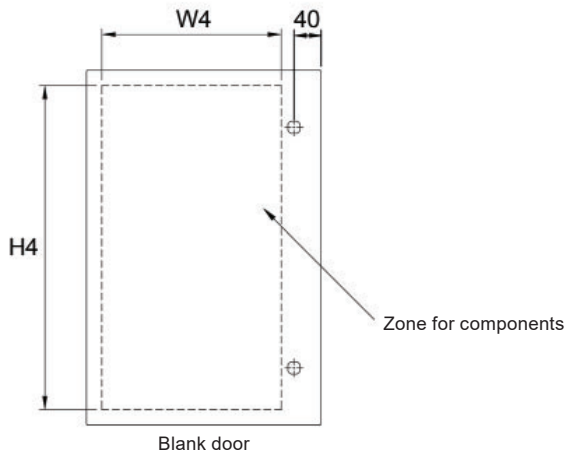
### Installation dimensions



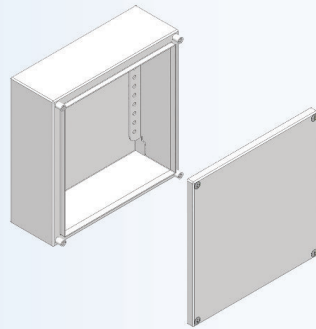
### Mounting plate



### Door



TYPE	INSTALLATION DIMENSIONS				INTERNAL DIMENSIONS			MOUNTING PLATE				BLANK DOOR	
	W	W1	H	H1	w	h	d	W2	W3	H2	H3	W4	H4
SLRB 4.6-250	400	300	600	645	350	330	235	370	347	325	302	300	320
SLRB 6.6-250	600	500	600	645	550	330	235	570	547	325	302	500	320
SLRB 6.8-250	600	500	800	845	550	530	235	570	547	525	502	500	520
SLRB 6.8-300	600	500	800	845	550	490	285	570	547	485	462	500	480
SLRB 6.10-250	600	500	1000	1045	550	730	235	570	547	725	702	500	720
SLRB 6.10-300	600	500	1000	1045	550	690	285	570	547	685	662	500	680
SLRB 8.8-250	800	700	800	845	750	530	235	770	747	525	502	700	520
SLRB 8.8-300	800	700	800	845	750	490	285	770	747	485	462	700	480
SLRB 8.10-250	800	700	1000	1045	750	730	235	770	747	725	702	700	720
SLRB 8.10-300	800	700	1000	1045	750	690	285	770	747	685	662	700	680
SLRB 10.10-300	1000	900	1000	1045	950	690	285	970	947	685	662	900	680
SLRB 10.12-300	1000	900	1200	1245	950	890	285	970	947	885	862	900	880

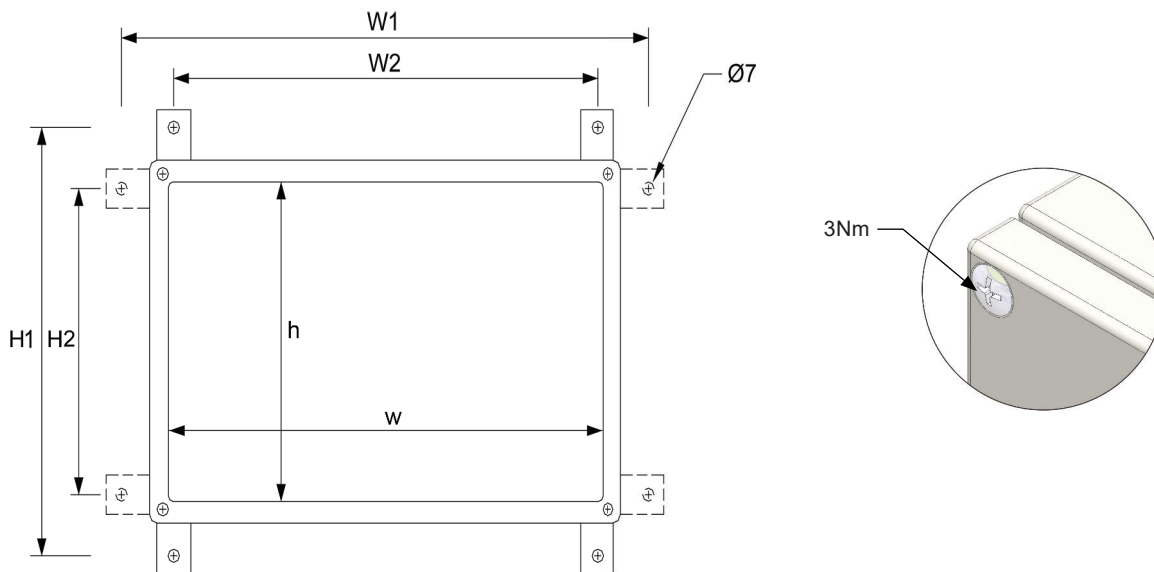


**TERMINAL BOX IP66 ■**  
**MILD STEEL**

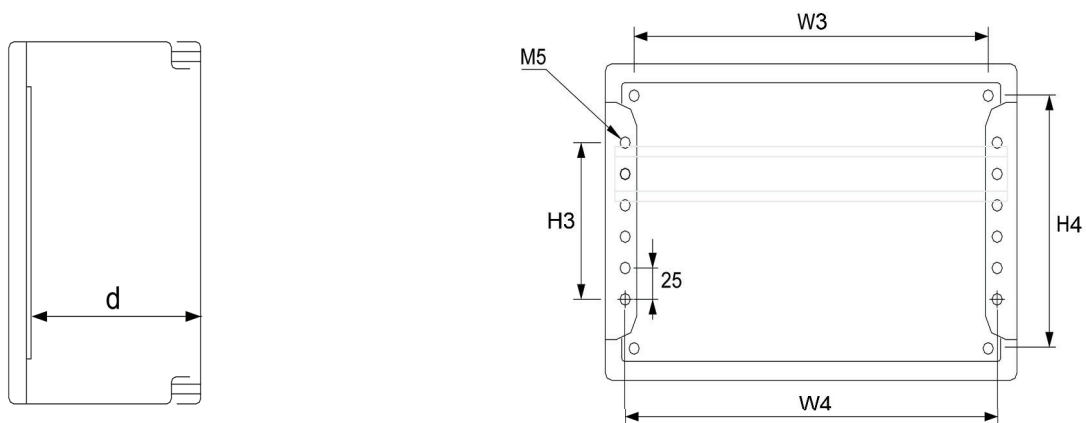
**KLEMKASSE IP66 ■**  
**PULVER LAKERET**

TYPE	DESCRIPTION	SIZE (W×H×D)	WEIGHT (kg)	ORDER No. RAL7035 FTF.
TNB 1,5.1,5-80 V2	TERMINAL BOX IP66 MILD STEEL	150 × 150 × 80	1.39	70700
TNB 3.1,5-80 V2	TERMINAL BOX IP66 MILD STEEL	300 × 150 × 80	2.14	70710
TNB 2.2-80 V2	TERMINAL BOX IP66 MILD STEEL	200 × 200 × 80	1.98	70715
TNB 3.2-80 V2	TERMINAL BOX IP66 MILD STEEL	300 × 200 × 80	2.57	70725
TNB 1,5.1,5-120 V2	TERMINAL BOX IP66 MILD STEEL	150 × 150 × 120	1.98	70740
TNB 1,75.1,75-120 V2	TERMINAL BOX IP66 MILD STEEL	175 × 175 × 120	2.30	70750
TNB 3.1,5-120 V2	TERMINAL BOX IP66 MILD STEEL	300 × 150 × 120	2.84	70755
TNB 2.2-120 V2	TERMINAL BOX IP66 MILD STEEL	200 × 200 × 120	2.65	70760
TNB 3.2-120 V2	TERMINAL BOX IP66 MILD STEEL	300 × 200 × 120	3.32	70770
TNB 4.2-120 V2	TERMINAL BOX IP66 MILD STEEL	400 × 200 × 120	4.00	70775
TNB 3.3-120 V2	TERMINAL BOX IP66 MILD STEEL	300 × 300 × 120	4.24	70780

Installation dimensions



Mounting rail



TYPE	INSTALLATION DIMENSIONS				INTERNAL DIMENSIONS			MOUNTING RAIL				
	W1	W2	H1	H2	w	h	d	W3	W4	H3	H4	NO. OF HOLES
TNB 1,5.1,5-80 V2	190	110	190	110	125	125	67	110	125	75	110	7
TNB 3.1,5-80 V2	340	260	190	110	275	125	67	260	275	75	110	7
TNB 2.2-80 V2	240	160	240	160	175	175	67	160	175	125	160	11
TNB 3.2-80 V2	340	260	240	160	275	175	67	260	275	125	160	11
TNB 1,5.1,5-120 V2	190	110	190	110	125	125	107	110	125	75	110	7
TNB 1,75.1,75-120 V	215	135	215	135	150	150	107	135	150	100	135	9
TNB 3.1,5-120 V2	340	260	190	110	275	125	107	260	275	75	110	7
TNB 2.2-120 V2	240	160	240	160	175	175	107	160	175	125	160	11
TNB 3.2-120 V2	340	260	240	160	275	175	107	260	275	125	160	11
TNB 4.2-120 V2	440	360	240	160	375	175	107	360	375	125	160	11
TNB 3.3-120 V2	340	260	340	260	275	275	107	260	275	225	260	19



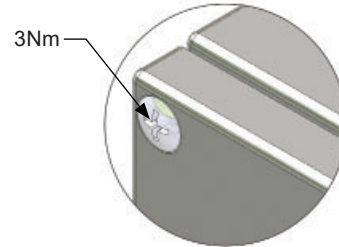
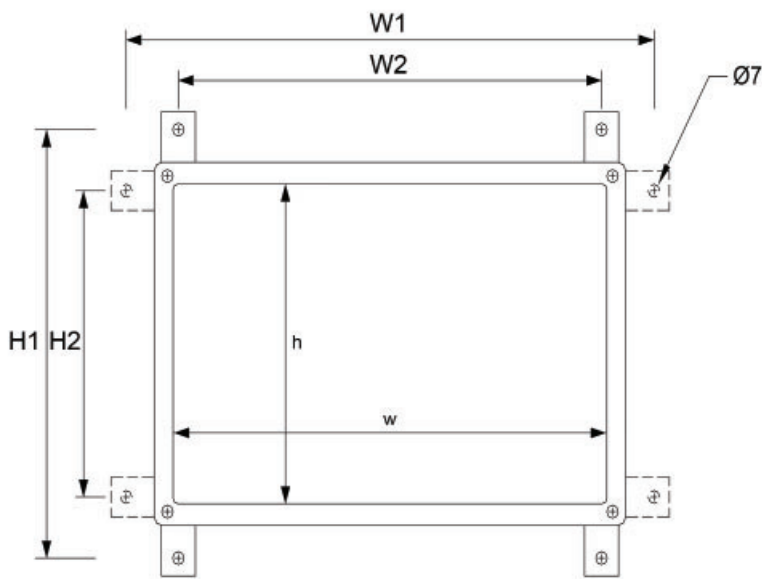
**TERMINAL BOX IP66 ■  
STAINLESS STEEL**

**KLEMKASSE IP66 ■  
RUSTFRI**

TYPE	DESCRIPTION	SIZE (W×H×D)	WEIGHT (kg)	ORDER No.	
				AISI 304	AISI 316
STNB 1,5.1,5-80 V2	TERMINAL BOX IP66 STA. STEEL	150 × 150 × 80	1.71	72000	72100
STNB 3.1,5-80 V2	TERMINAL BOX IP66 STA. STEEL	300 × 150 × 80	2.63	72005	72105
STNB 2.2-80 V2	TERMINAL BOX IP66 STA. STEEL	200 × 200 × 80	2.43	72010	72110
STNB 3.2-80 V2	TERMINAL BOX IP66 STA. STEEL	300 × 200 × 80	3.17	72015	72115
STNB 1,5.1,5-120 V2	TERMINAL BOX IP66 STA. STEEL	150 × 150 × 120	2.44	72030	72130
STNB 1,75.1,75-120 V2	TERMINAL BOX IP66 STA. STEEL	175 × 175 × 120	2.00	72035	72135
STNB 3.1,5-120 V2	TERMINAL BOX IP66 STA. STEEL	300 × 150 × 120	3.52	72040	72140
STNB 2.2-120 V2	TERMINAL BOX IP66 STA. STEEL	200 × 200 × 120	3.26	72045	72145
STNB 3.2-120 V2	TERMINAL BOX IP66 STA. STEEL	300 × 200 × 120	4.11	72050	72150
STNB 4.2-120 V2	TERMINAL BOX IP66 STA. STEEL	400 × 200 × 120	4.96	72055	72155
STNB 3.3-120 V2	TERMINAL BOX IP66 STA. STEEL	300 × 300 × 120	5.26	72060	72160



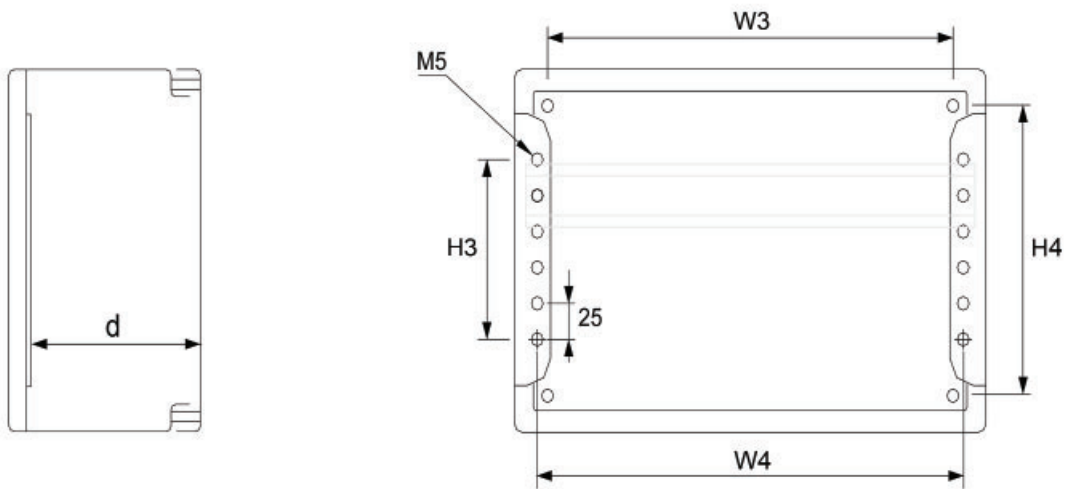
Installation dimensions



ORDER INFORMATION

ORDER No.	DESCRIPTION
xxxx-02	Box with holes for Wall Mounting Brackets

Mounting rail



TYPE	INSTALLATION DIMENSIONS				INTERNAL DIMENSIONS			MOUNTING RAIL				
	W1	W2	H1	H2	w	h	d	W3	W4	H3	H4	NO. OF HOLES
STNB 1,5.1,5-80 V2	190	110	190	110	125	125	67	110	125	75	110	7
STNB 3.1,5-80 V2	340	260	190	110	275	125	67	260	275	75	110	7
STNB 2.2-80 V2	240	160	240	160	175	175	67	160	175	125	160	11
STNB 3.2-80 V2	340	260	240	160	275	175	67	260	275	125	160	11
STNB 1,5.1,5-120 V2	190	110	190	110	125	125	107	110	125	75	110	7
STNB 1,75.1,75-120 V2	215	135	215	135	150	150	107	135	150	100	135	9
STNB 3.1,5-120 V2	340	260	190	110	275	125	107	260	275	75	110	7
STNB 2.2-120 V2	240	160	240	160	175	175	107	160	175	125	160	11
STNB 3.2-120 V2	340	260	240	160	275	175	107	260	275	125	160	11
STNB 4.2-120 V2	440	360	240	160	375	175	107	360	375	125	160	11
STNB 3.3-120 V2	340	260	340	260	275	275	107	260	275	225	260	19

MILD STEEL BOX IP66		
TYPE	DESCRIPTION	PAGE
BWB	WALL MOUNTING BRACKETS (MILD STEEL BOX)	19
WBC	WALL MOUNTING BRACKET COVERS (MILD STEEL BOX)	19
STWB	STAND OFF WALL MOUNTING BRACKETS	21
PMS	POLE MOUNTING SYSTEM	21
BGD	GLASS DOOR	23
ID	INTERNAL DOOR	23
DBIDA	DEPTH BRACKETS FOR INTERNAL DOOR ADJUSTMENT	25
HPIDA	HEIGHT PROFILES FOR INTERNAL DOOR ADJUSTMENT	25
WPIDA	WIDTH PROFILES FOR INTERNAL DOOR ADJUSTMENT	25
SQI 8, SQI 6, TRI	SQUARE LOCK INSERT TRIANGLE INSERT	27
KL	KNOB LOCK - POLYAMIDE BLACK	27
THLC, THLB	T - HANDLE LOCK	27
KELS, KELP	KEY LOCK	27
BCOV	BOX LOCK COVERS	27
PLK	PAD LOCK KIT	29
DSES	DOOR SEAL SYSTEM	29
CAN	CANOPY	29
BDSL, BDSH	BOX DOOR STAY	31
BDMR	BOX DOOR MOUNTING RAILS	31
CH	CABLE HOLDER	31
AMDB	ADJUSTABLE MOUNTING PLATE	33
FMDB	FIXED TYPE MOUNTING PLATE	33
CR	COMBI RAILS	35
CPDB	CHASIS PROFILE FOR INSERTS	35
TBPDB	TOP & BOTTOM PROFILE	35
DIDB	STEEL DIN INSERT	37
BFDB	BLANK FRONT PLATE	37
ALDR	DIN RAIL	39
BCDB	BRACKET FOR DIN RAIL	39
ADRB	ADJUSTABLE DIN RAIL BRACKETS	39
DRFB	DIN RAIL WITH FIXING BRACKETS	39
ADFB	DIN RAIL WITH ADJUSTABLE FIXING BRACKETS	39
	DIFFERENT GLANDS	41
ES	PE CABLE	41

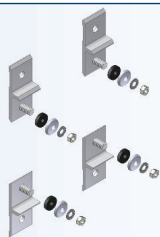
STAINLESS STEEL BOX IP66		
TYPE	DESCRIPTION	PAGE
SWB	WALL MOUNTING BRACKETS (STAINLESS STEEL BOX)	19
HCK 1	HOLE COVERING KIT (STAINLESS STEEL BOX)	19
BCOV	BOX LOCK COVER	27
PLK	PAD LOCK KIT	29
SSKL	KNOB LOCK (STAINLESS STEEL)	27

STAINLESS STEEL BOX IP69K		
TYPE	DESCRIPTION	PAGE
SSKL	KNOB LOCK (STAINLESS STEEL)	27

STAINLESS STEEL BOX IP66 SLOPING ROOF		
TYPE	DESCRIPTION	PAGE
BCOV	BOX LOCK COVER	27
PLK	PAD LOCK KIT	29
SSKL	KNOB LOCK (STAINLESS STEEL)	27

MILD STEEL TERMINAL BOX IP66		
TYPE	DESCRIPTION	PAGE
TWB	WALL MOUNTING BRACKETS (MILD STEEL TERMINAL BOX)	19

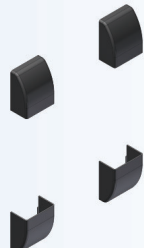
STAINLESS STEEL TERMINAL BOX IP66		
TYPE	DESCRIPTION	PAGE
SSWB	WALL MOUNTING BRACKETS (STAINLESS STEEL TERMINAL BOX)	19
HCK 2	HOLE COVERING KIT (STAINLESS STEEL TERMINAL BOX)	19



**WALL MOUNTING BRACKETS** ■

**VÆG BESLAG** ■

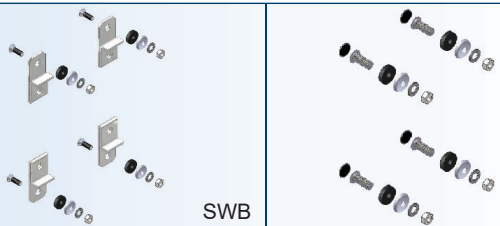
TYPE	DESCRIPTION	WEIGHT (kg)	ORDER No. Aluminium
BWB	WALL MOUNTING BRACKETS (MILD STEEL BOX)	0.40	50594



**WALL MOUNTING BRACKET COVERS** ■

**SKJULER TIL VÆGBESLAG** ■


TYPE	DESCRIPTION	WEIGHT (kg)	ORDER No.
WBC	WALL MOUNTING BRACKET COVERS (MILD STEEL BOX)	0.1	50595



**WALL MOUNTING BRACKETS** ■

**VÆG BESLAG** ■

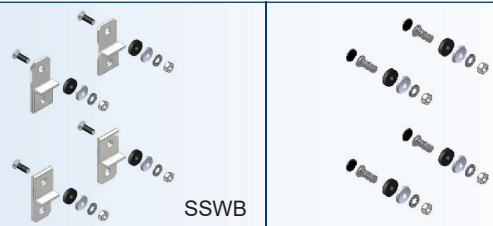
TYPE	DESCRIPTION	ORDER No. AISI 304	ORDER No. AISI 316
SWB	WALL MOUNTING BRACKETS (STAINLESS STEEL BOX)	60290	60590
HCK 1	HOLE COVERING KIT (STAINLESS STEEL BOX)	60291	60291



**WALL MOUNTING BRACKETS** ■

**VÆG BESLAG** ■

TYPE	DESCRIPTION	WEIGHT (kg)	ORDER No. Aluminium
TWB	WALL MOUNTING BRACKETS (MILD STEEL TERMINAL BOX)	0.16	70150

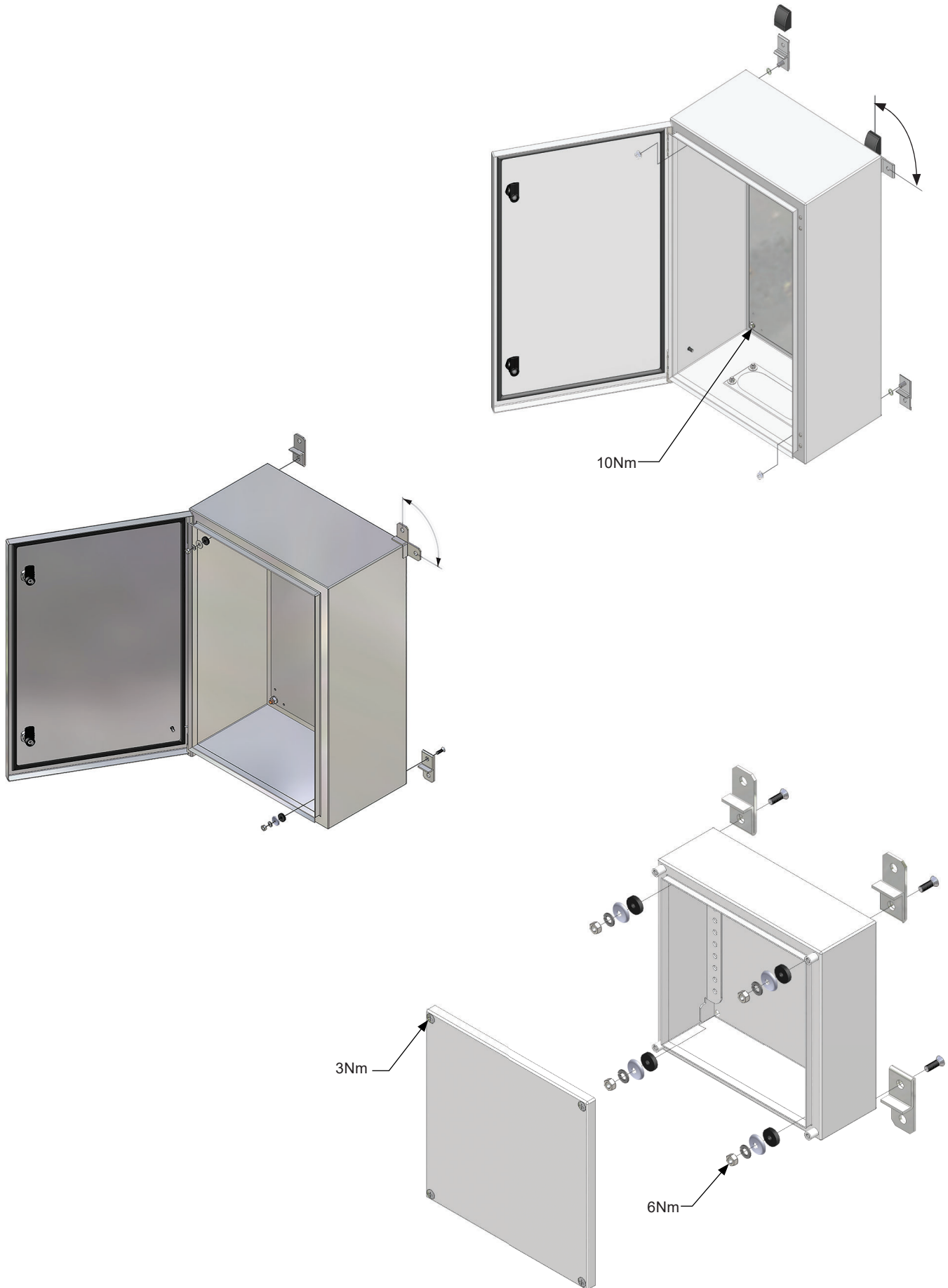


**WALL MOUNTING BRACKETS** ■

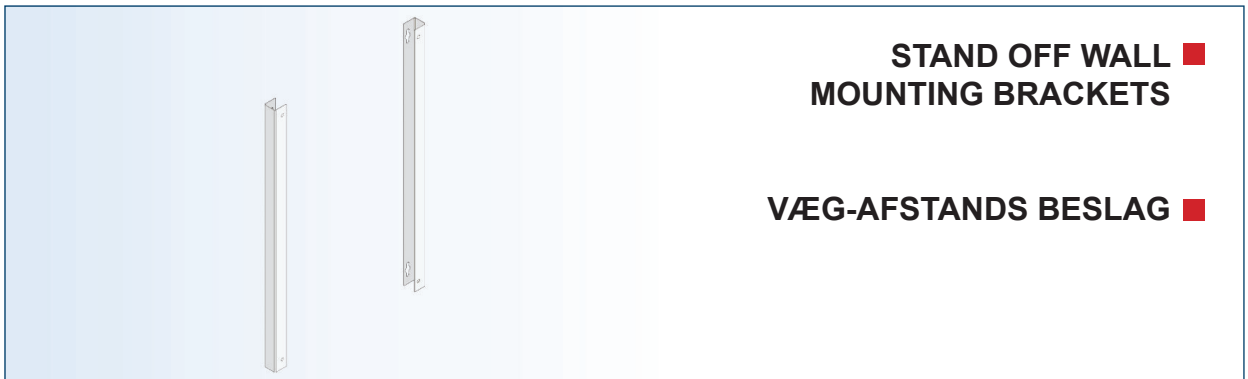
**VÆG BESLAG** ■

TYPE	DESCRIPTION	ORDER No. AISI 304	ORDER No. AISI 316
SSWB	WALL MOUNTING BRACKETS (STAINLESS STEEL TERMINAL BOX)	70350	70550
HCK 2	HOLE COVERING KIT (STAINLESS STEEL TERMINAL BOX)	60292	60292





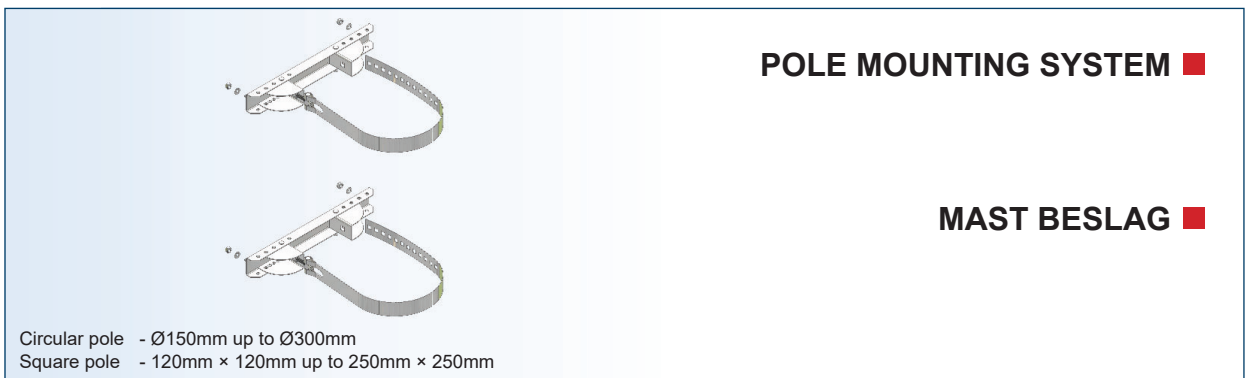
Note: Recommend to use flexible screw driver to tight Wall Mounting bracket.



**STAND OFF WALL MOUNTING BRACKETS** ■

**VÆG-AFSTANDS BESLAG** ■

TYPE	DESCRIPTION	SIZE (H)	WEIGHT (kg)	ORDER No. RAL 7035 FTF.
STWB 2	STAND OFF WALL MOUNTING BRACKETS	200	0.43	52200
STWB 3	STAND OFF WALL MOUNTING BRACKETS	300	0.64	52210
STWB 4	STAND OFF WALL MOUNTING BRACKETS	400	0.86	52220
STWB 5	STAND OFF WALL MOUNTING BRACKETS	500	1.07	52230
STWB 6	STAND OFF WALL MOUNTING BRACKETS	600	1.28	52240
STWB 7	STAND OFF WALL MOUNTING BRACKETS	700	1.50	52250
STWB 8	STAND OFF WALL MOUNTING BRACKETS	800	1.71	52260
STWB 10	STAND OFF WALL MOUNTING BRACKETS	1000	2.14	52270



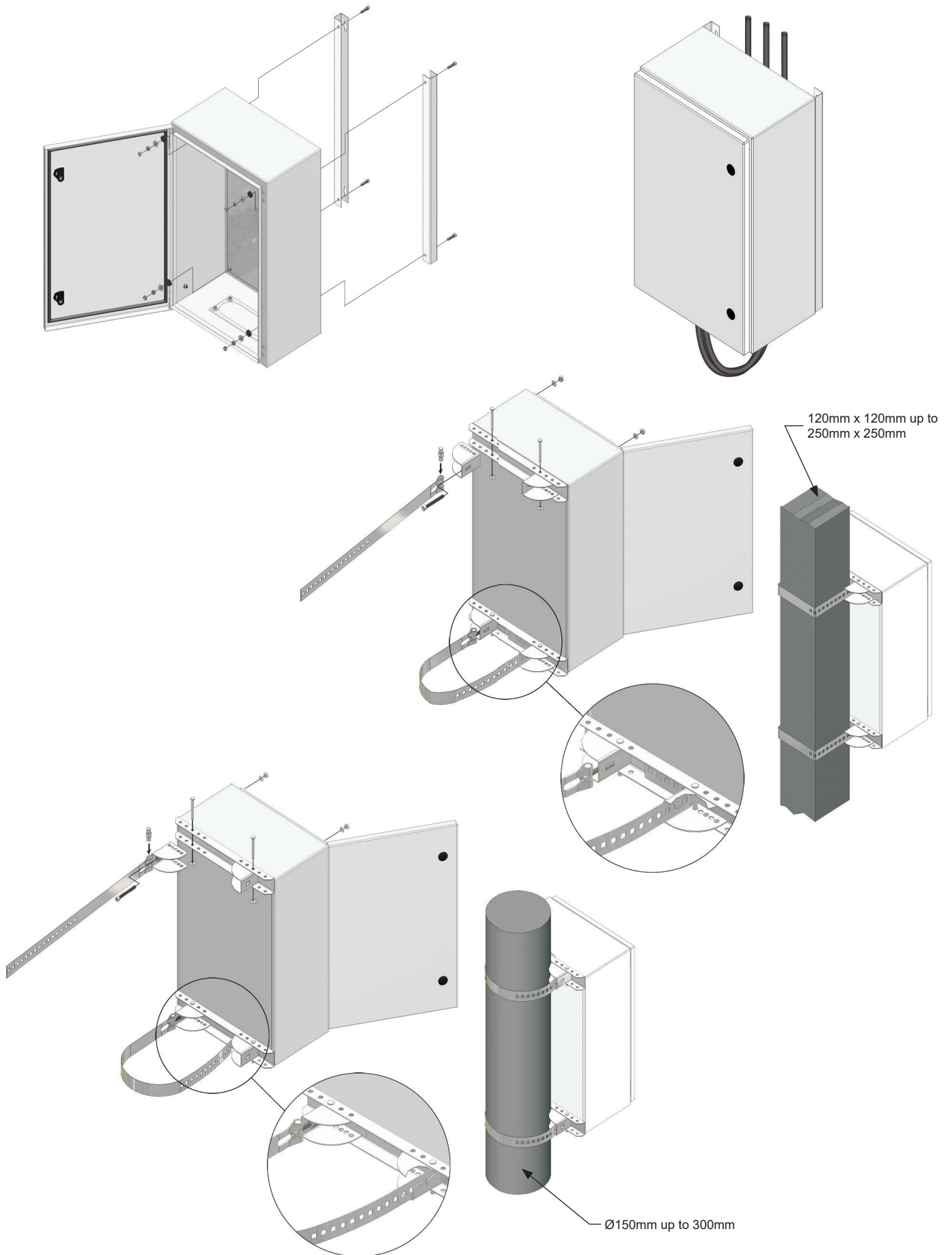
**POLE MOUNTING SYSTEM** ■

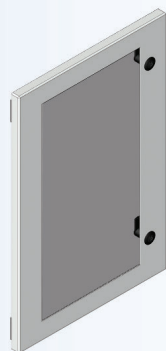
**MAST BESLAG** ■

Circular pole - Ø150mm up to Ø300mm  
 Square pole - 120mm × 120mm up to 250mm × 250mm

TYPE	DESCRIPTION	BOX SIZE (W)	ORDER NO.
PMS 4	POLE MOUNTING SYSTEM	400	50500
PMS 5	POLE MOUNTING SYSTEM	500	50505
PMS 6	POLE MOUNTING SYSTEM	600	50510
PMS 8	POLE MOUNTING SYSTEM	800	50515

Bigger strip sizes on request



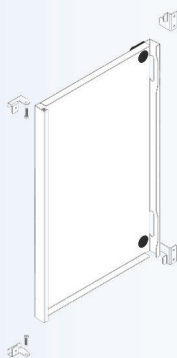


GLASS DOOR ■

LÅGE MED RUDE ■

TYPE	DESCRIPTION	SIZE (W×H)	LOCKS	WEIGHT (kg)	ORDER No. RAL 7035 FTF.
BGD 4.4	GLASS DOOR	400 × 400	2	2.27	51910
BGD 4.6	GLASS DOOR	400 × 600	2	4.04	51920
BGD 6.2	GLASS DOOR	600 × 200	1	2.10	51930
BGD 6.4	GLASS DOOR	600 × 400	2	3.94	51940
BGD 6.6	GLASS DOOR	600 × 600	2	5.77	51950
BGD 6.8	GLASS DOOR	600 × 800	3	7.61	51960

Other sizes on request



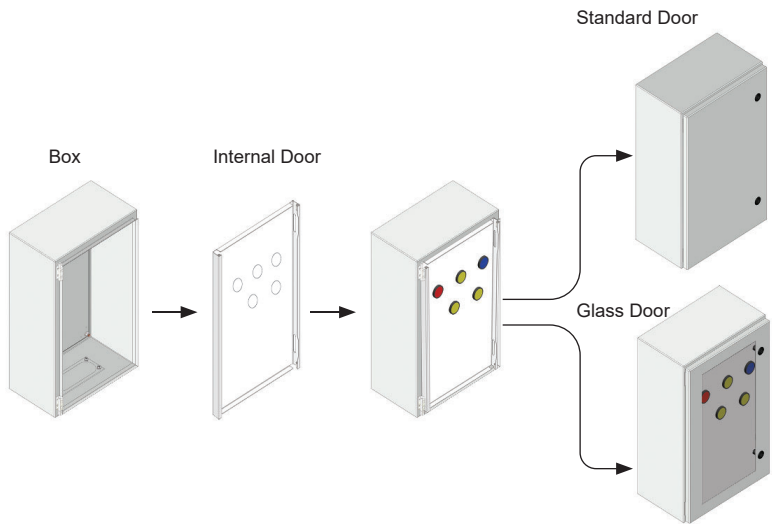
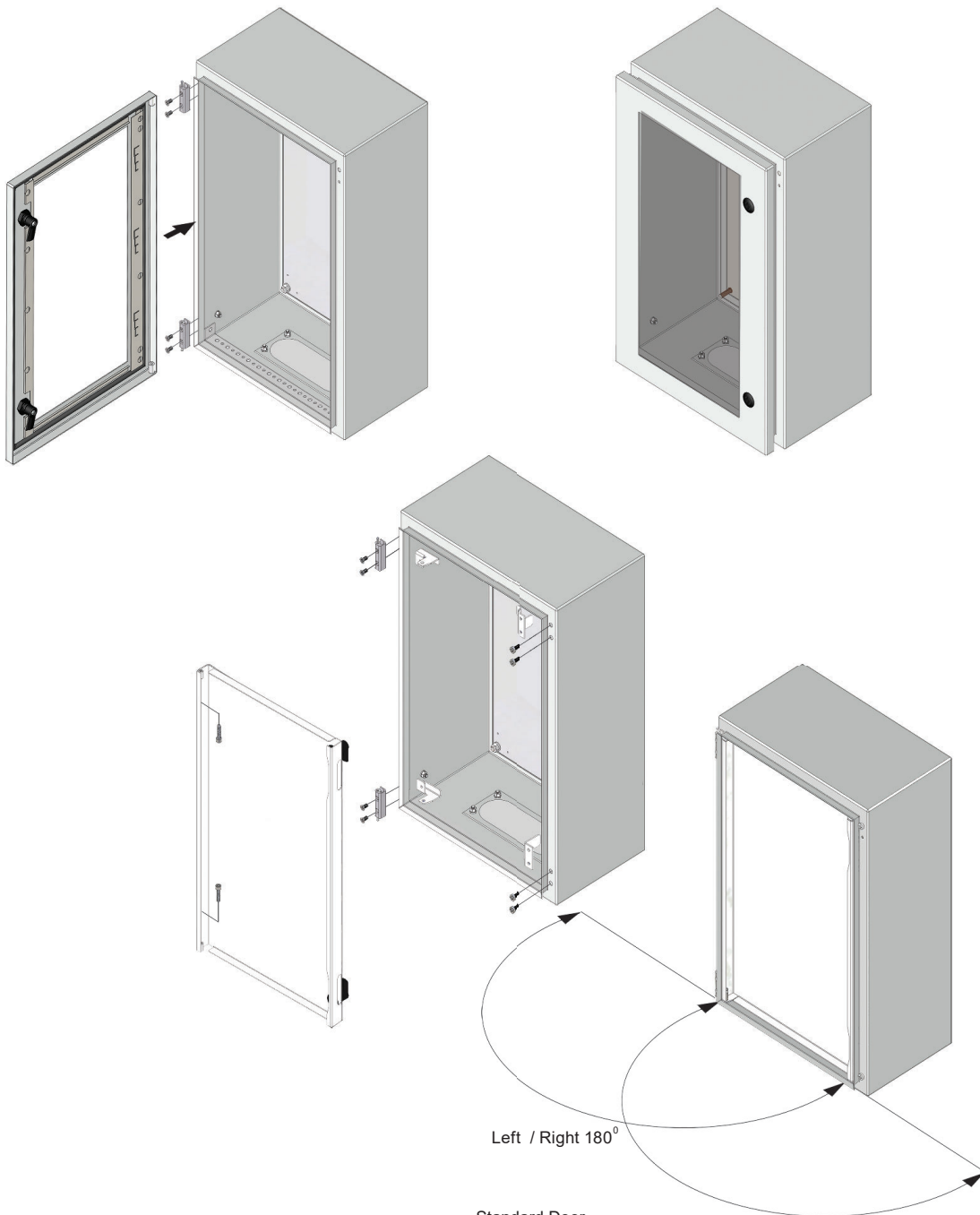
INTERNAL DOOR ■

INDVENDIG DØR ■

TYPE	DESCRIPTION	SIZE (W×H)	WEIGHT (kg)	ORDER No. RAL 9010 SMF.
ID 3.3	INTERNAL DOOR	300 × 300	1.24	52514
ID 3.4	INTERNAL DOOR	300 × 400	1.67	52519
ID 3.5	INTERNAL DOOR	300 × 500	2.09	52524
ID 4.3	INTERNAL DOOR	400 × 300	1.62	52529
ID 4.4	INTERNAL DOOR	400 × 400	2.18	52534
ID 4.5	INTERNAL DOOR	400 × 500	2.74	52539
ID 4.6	INTERNAL DOOR	400 × 600	3.30	52544
ID 4.7	INTERNAL DOOR	400 × 700	3.86	52549
ID 5.6	INTERNAL DOOR	500 × 600	4.07	52556
ID 5.7	INTERNAL DOOR	500 × 700	4.77	52561
ID 6.4	INTERNAL DOOR	600 × 400	3.19	52566
ID 6.5	INTERNAL DOOR	600 × 500	4.02	52571
ID 6.6	INTERNAL DOOR	600 × 600	4.85	52576
ID 6.7	INTERNAL DOOR	600 × 700	5.68	52581
ID 6.8	INTERNAL DOOR	600 × 800	6.51	52586
ID 6.10	INTERNAL DOOR	600 × 1000	8.17	52591
ID 6.12	INTERNAL DOOR	600 × 1200	9.83	52592
ID 6.14	INTERNAL DOOR	600 × 1400	11.49	52593
ID 6.16	INTERNAL DOOR	600 × 1600	13.15	52609

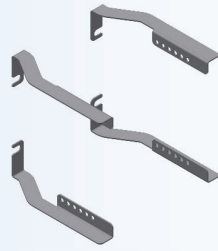
Other sizes on request





**ORDER INFORMATION**

ORDER No.	DESCRIPTION
xxxxx-01	Box with Steel Locks



**DEPTH BRACKETS ■**  
(FOR INTERNAL DOOR ADJUSTMENT)

**DYBDE BESLAG ■**  
(TIL JUSTERING AF INDVENDIG DØR)

TYPE	DESCRIPTION	SIZE (D)	WEIGHT (kg)	ORDER No. Zinc Plated
DBIDA 1,5	DEPTH BRACKETS	150	0.23	52625
DBIDA 2	DEPTH BRACKETS	200	0.26	52626
DBIDA 2,5	DEPTH BRACKETS	250	0.30	52627
DBIDA 3	DEPTH BRACKETS	300	0.34	52628
DBIDA 4	DEPTH BRACKETS	400	0.39	52629



**HEIGHT PROFILES ■**  
(FOR INTERNAL DOOR ADJUSTMENT)

**HØJDE PROFILER ■**  
(TIL JUSTERING AF INDVENDIG DØR)

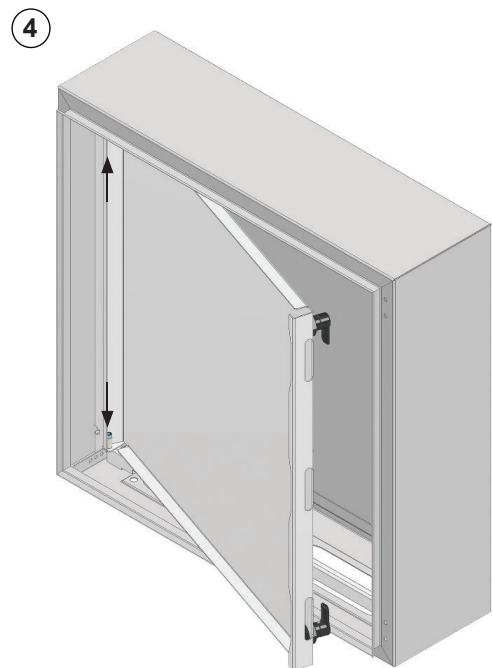
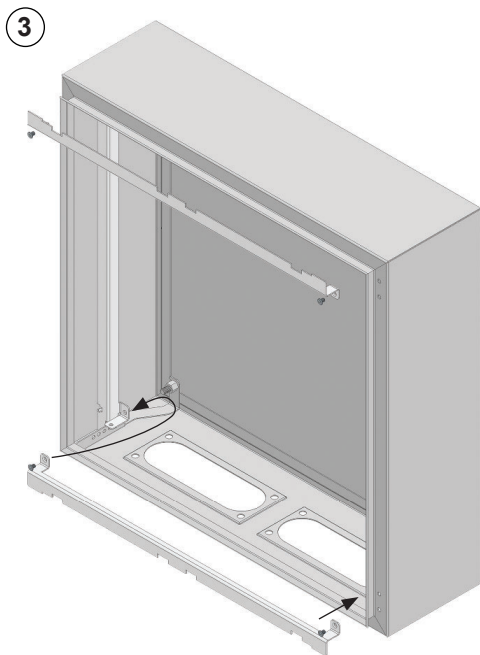
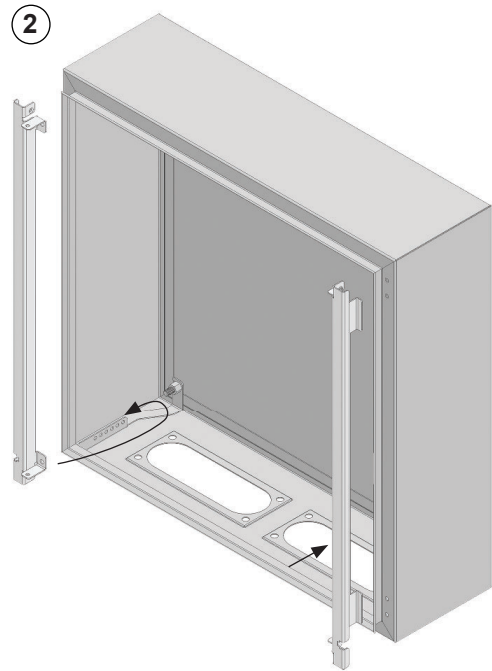
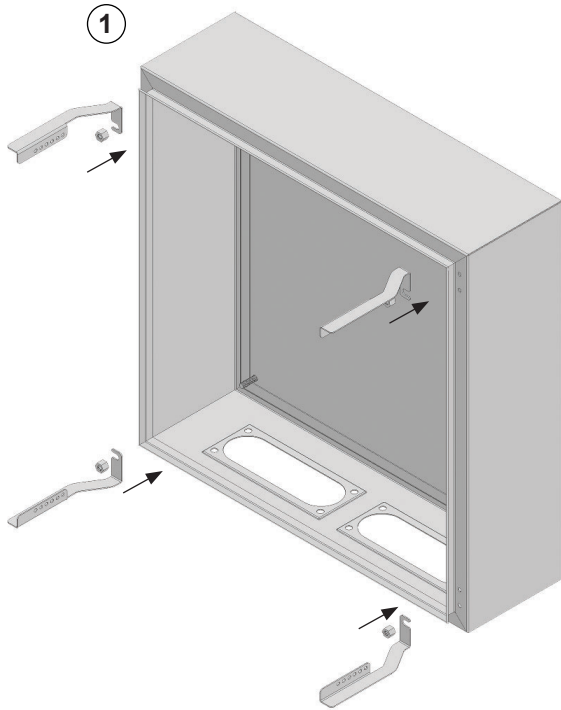
TYPE	DESCRIPTION	SIZE (H)	WEIGHT (kg)	ORDER No. RAL 9010 SMF.
HPIDA 2	HEIGHT PROFILES	200	0.26	52630
HPIDA 3	HEIGHT PROFILES	300	0.40	52631
HPIDA 4	HEIGHT PROFILES	400	0.53	52632
HPIDA 5	HEIGHT PROFILES	500	0.66	52633
HPIDA 6	HEIGHT PROFILES	600	0.79	52634
HPIDA 7	HEIGHT PROFILES	700	0.92	52635
HPIDA 8	HEIGHT PROFILES	800	1.06	52636
HPIDA 10	HEIGHT PROFILES	1000	1.32	52637
HPIDA 12	HEIGHT PROFILES	1200	1.58	52638
HPIDA 14	HEIGHT PROFILES	1400	1.85	52639
HPIDA 16	HEIGHT PROFILES	1600	2.11	52608

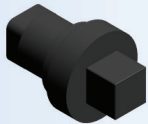
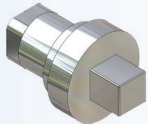
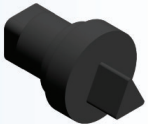


**WIDTH PROFILES ■**  
(FOR INTERNAL DOOR ADJUSTMENT)

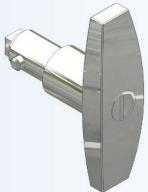
**BREDDE PROFILER ■**  
(TIL JUSTERING AF INDVENDIG DØR)

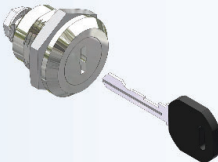
TYPE	DESCRIPTION	SIZE (W)	WEIGHT (kg)	ORDER No. RAL 9010 SMF.
WPIDA 2	WIDTH PROFILES	200	0.12	52610
WPIDA 3	WIDTH PROFILES	300	0.19	52611
WPIDA 4	WIDTH PROFILES	400	0.26	52612
WPIDA 5	WIDTH PROFILES	500	0.33	52613
WPIDA 6	WIDTH PROFILES	600	0.40	52614
WPIDA 7	WIDTH PROFILES	700	0.47	52615
WPIDA 8	WIDTH PROFILES	800	0.54	52616
WPIDA 10	WIDTH PROFILES	1000	0.69	52617
WPIDA 12	WIDTH PROFILES	1200	0.83	52618
WPIDA 14	WIDTH PROFILES	1400	0.97	52619



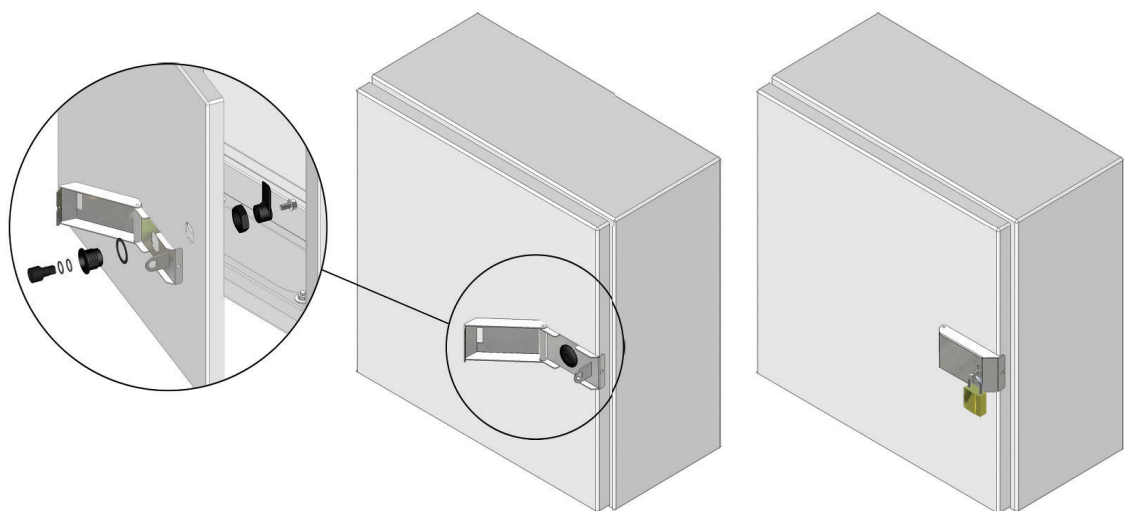
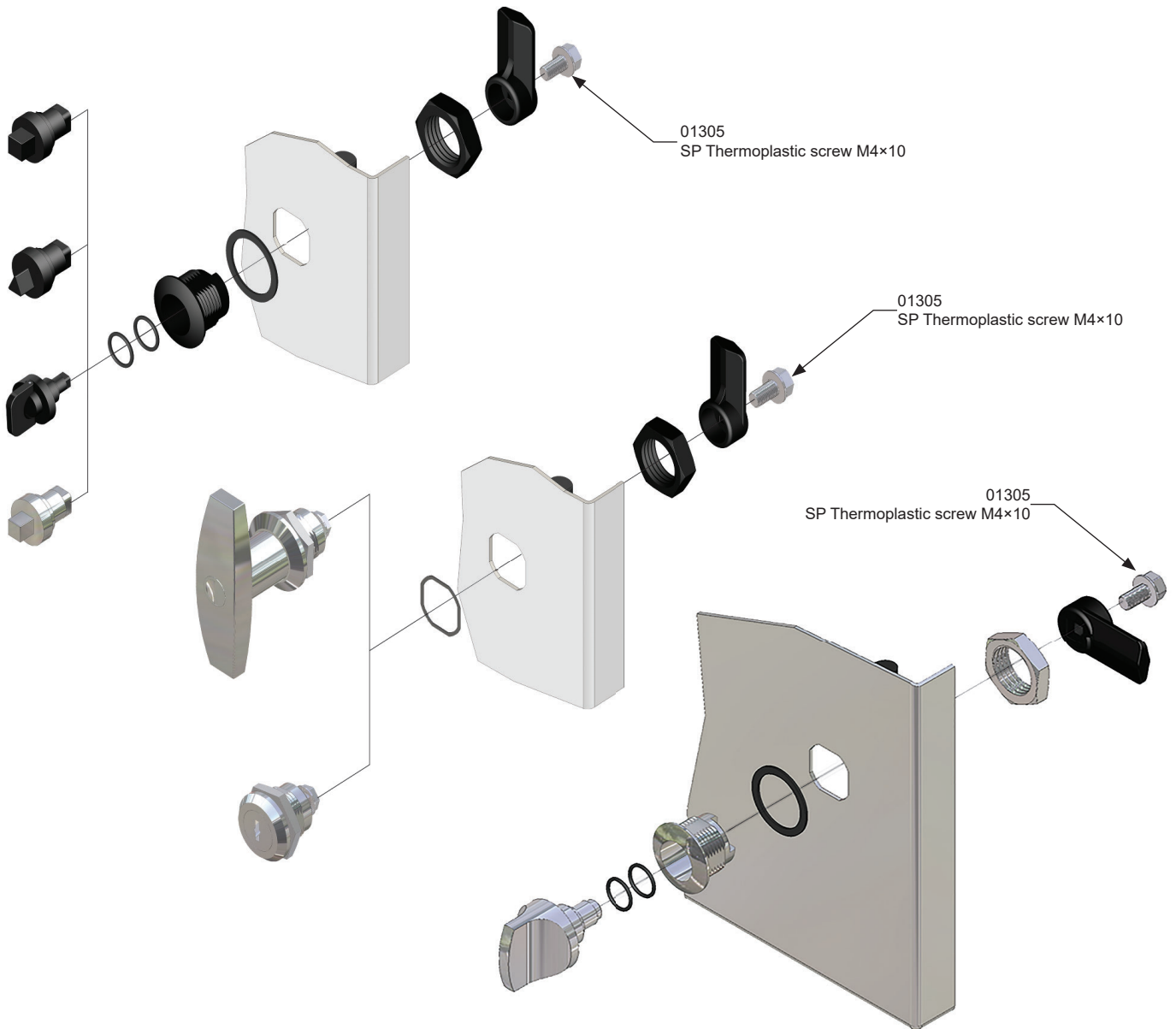
			<b>SQUARE LOCK INSERT ■</b> <b>TRIANGLE INSERT</b>		
			<b>FIRKANT INDSATS ■</b> <b>TREKANT INDSATS</b>		
SQUARE 8x8mm	SQUARE 6x6mm STEEL	TRIANGLE			
TYPE	DESCRIPTION	WEIGHT (kg)	ORDER No. Polyamide black	ORDER No. Stainless steel AISI 304	ORDER No. Steel chrome
SQI 8	SQUARE 8mm	0.02	12123	12125	-
SQI 6	SQUARE 6mm (Zinc Die Chrome Plated)	0.12	-	-	12127
TRI	TRIANGULAR 8mm	0.03	12124	12126	-

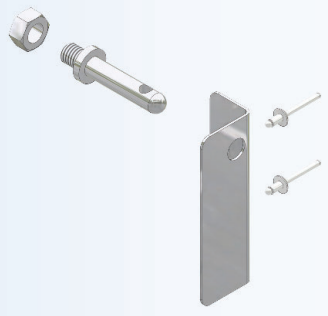
		<b>KNOB LOCK ■</b>  <b>VRIDE LÅS ■</b>		
KL	SSKL			
TYPE	DESCRIPTION	WEIGHT (kg)	ORDER No. Polyamide black	ORDER No. Stainless steel AISI 304
KL	KNOB LOCK	0.025	12120	-
SSKL	KNOB LOCK	0.07	-	60295

	<b>T - HANDLE LOCK ■</b>  <b>T-HÅNDTAG MED LÅS ■</b>				
TYPE	DESCRIPTION	WEIGHT (kg)	ORDER NO. Non locking	ORDER No. Keyed alike	ORDER No. Keyed different
THLC	T-HANDLE LOCK - Chrome plated	0.16	12130	12131	12132
THLB	T-HANDLE LOCK - Polyamide black	0.1	12135	12136	12137

	<b>KEY LOCK ■</b>  <b>NØGLE LÅS ■</b>			
TYPE	DESCRIPTION	WEIGHT (kg)	ORDER No. Keyed alike	ORDER No. Keyed different
KELS	KEY LOCK - Steel	0.05	12140	12141
KELP	KEY LOCK - Plastic	0.04	12143	12144

	<b>BOX LOCK COVER ■</b>  <b>HÆNGELÅS BESLAG ■</b>		
TYPE	DESCRIPTION	WEIGHT (kg)	ORDER No. AISI 304
BCOV	BOX LOCK COVER	0.06	52303





**PADLOCK KIT ■**

**HÆNGELÅS BESLAG ■**

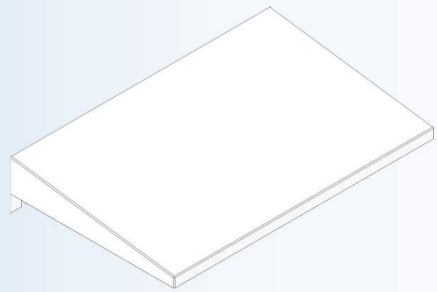
TYPE	DESCRIPTION	WEIGHT (kg)	ORDER No. AISI 316
PLK	PADLOCK KIT	0.45	52300



**DOOR SEAL SYSTEM ■**

**PLOMBERINGS SÆT ■**

TYPE	DESCRIPTION	WEIGHT (kg)	ORDER No.
DSES	DOOR SEAL SYSTEM	0.1	30855

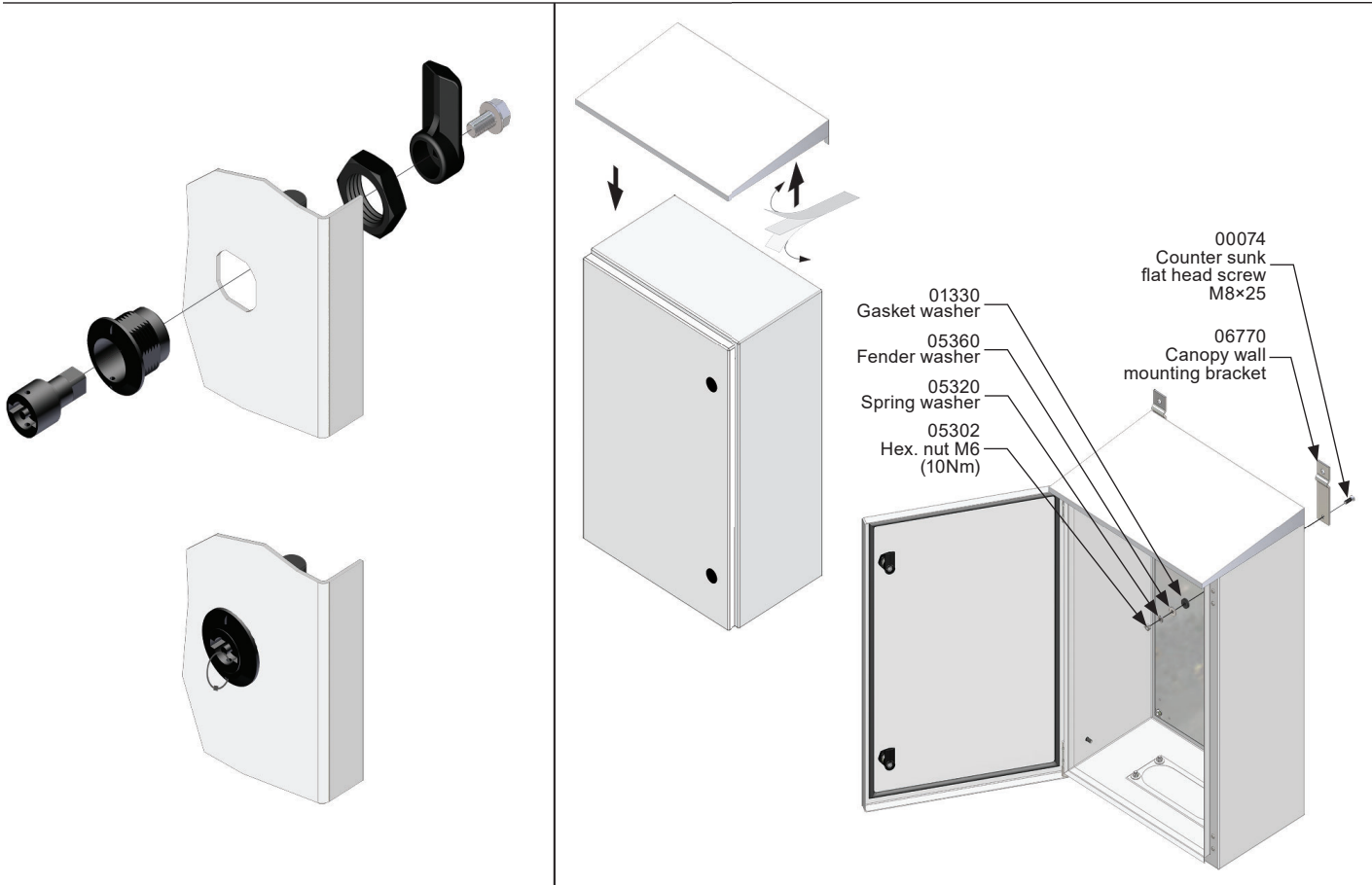
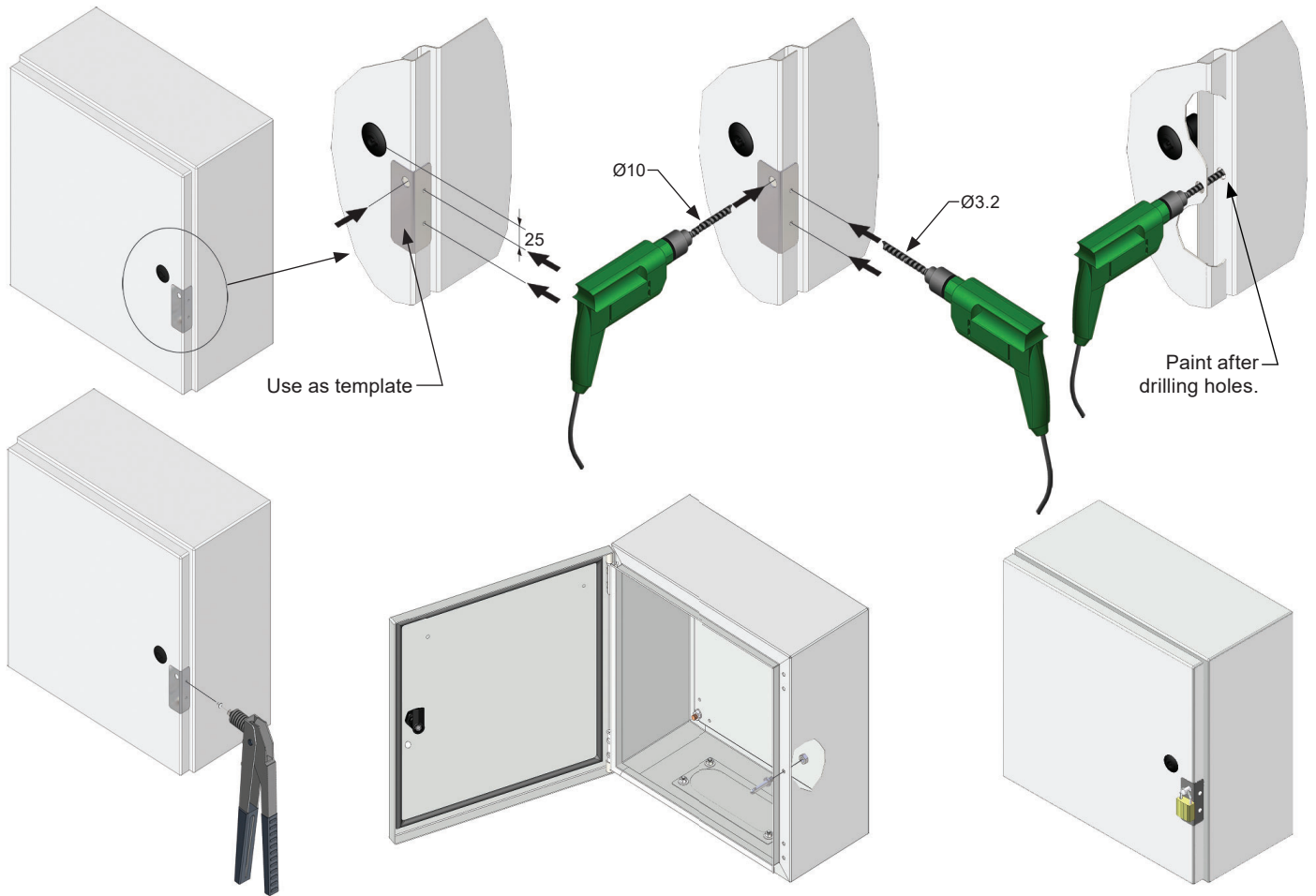



**CANOPY ■**

**REGNTAG ■**

TYPE	DESCRIPTION	SIZE (WxD)	WEIGHT (kg)	ORDER No. RAL 7035 FTF.
CAN 3.1.5	CANOPY	300 × 150	1.60	52000
CAN 4.1.5	CANOPY	400 × 150	1.93	52010
CAN 6.1.5	CANOPY	600 × 150	2.58	52020
CAN 3.2	CANOPY	300 × 200	1.91	52050
CAN 4.2	CANOPY	400 × 200	2.30	52060
CAN 6.2	CANOPY	600 × 200	3.09	52070








**BOX DOOR STAY ■**

LIGHT DUTY


---



**DØR HOLDER ■**

HEAVY DUTY

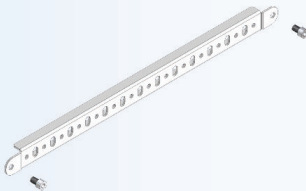
TYPE	DESCRIPTION	DOOR WIDTH	LOAD	WEIGHT (kg)	ORDER No.
BDSL 3	BOX DOOR STAY - LIGHT DUTY	300	70 N	0.28	52100
BDSL 4	BOX DOOR STAY - LIGHT DUTY	400	70 N	0.34	52102
BDSL 5	BOX DOOR STAY - LIGHT DUTY	500	70 N	0.39	52104
BDSL 6	BOX DOOR STAY - LIGHT DUTY	600	70 N	0.45	52106
BDSL 8	BOX DOOR STAY - LIGHT DUTY	800	70 N	0.57	52108
BDSL 10	BOX DOOR STAY - LIGHT DUTY	1000	70 N	0.69	52110
BDSH 6	BOX DOOR STAY - HEAVY DUTY	600	150 N	0.45	52120
BDSH 8	BOX DOOR STAY - HEAVY DUTY	800	150 N	0.57	52122
BDSH 10	BOX DOOR STAY - HEAVY DUTY	1000	150 N	0.70	52124



**BOX DOOR MOUNTING RAILS ■**

DØR MONTERINGS SKINNE ■

TYPE	DESCRIPTION	SIZE (H)	WEIGHT (kg)	ORDER No. RAL 7035 FTF.
BDMR 3	BOX DOOR MOUNTING RAILS	300	0.19	52710
BDMR 4	BOX DOOR MOUNTING RAILS	400	0.30	52720
BDMR 5	BOX DOOR MOUNTING RAILS	500	0.40	52730
BDMR 6	BOX DOOR MOUNTING RAILS	600	0.50	52740
BDMR 7	BOX DOOR MOUNTING RAILS	700	0.60	52750
BDMR 8	BOX DOOR MOUNTING RAILS	800	0.71	52760
BDMR 9	BOX DOOR MOUNTING RAILS	900	0.82	52770
BDMR 10	BOX DOOR MOUNTING RAILS	1000	0.90	52780
BDMR 11	BOX DOOR MOUNTING RAILS	1100	1.00	52790
BDMR 12	BOX DOOR MOUNTING RAILS	1200	1.11	52800



**CABLE HOLDER ■**

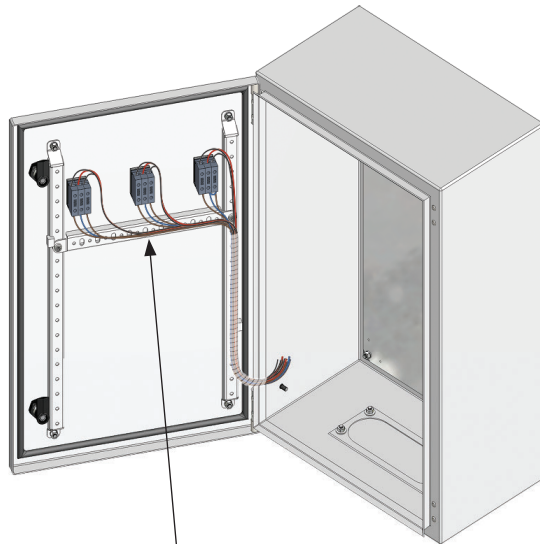
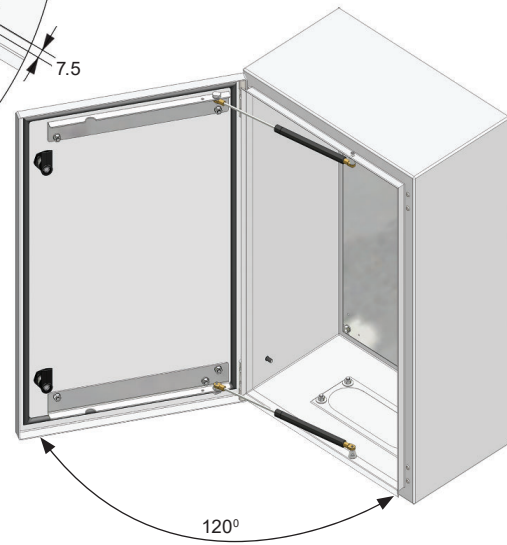
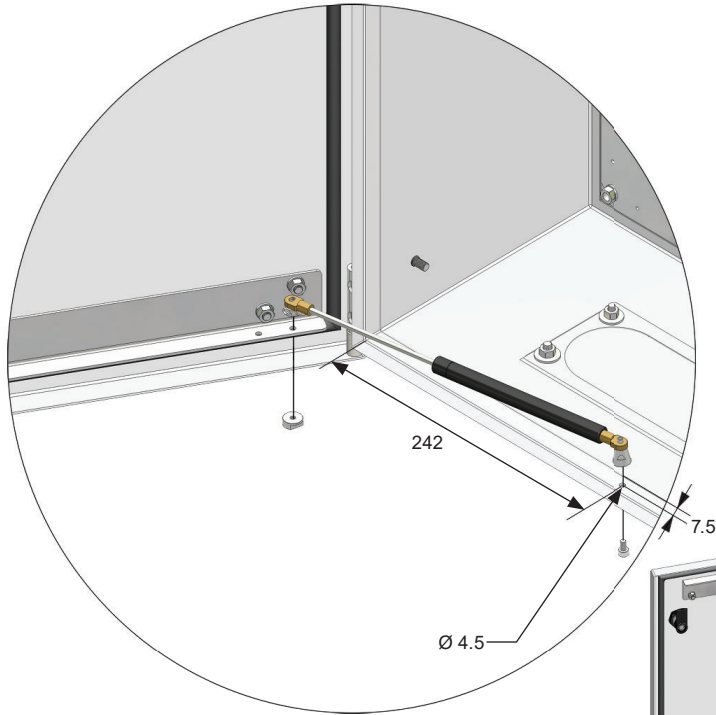
KABEL HOLDER ■

TYPE	DESCRIPTION	SIZE	WEIGHT (kg)	ORDER No. RAL 9010 SMF.
CH 2	CABLE HOLDER	200	0.100	14310
CH 3	CABLE HOLDER	300	0.175	14320
CH 4	CABLE HOLDER	400	0.170	14330
CH 5	CABLE HOLDER	500	0.290	14333
CH 6	CABLE HOLDER	600	0.350	14340
CH 7	CABLE HOLDER	700	0.400	14347
CH 8	CABLE HOLDER	800	0.470	14350

SELECTION GUIDE FOR BOX DOOR STAY

BOX HEIGHT	QTY
400	01
600	01
800	02
1000	02
1200	02

Can be used with MS and SS boxes.



- CH 2
- CH 3
- CH 4
- CH 5
- CH 6
- CH 7
- CH 8

COMBINATIONS

BOX DOOR SIZE	DOOR MOUNTING RAIL SIZE	TM CABLE HOLDER SIZE
300 × 300	300	200
300 × 400	400	200
300 × 500	500	200
400 × 300	300	300
400 × 400	400	300
400 × 500	500	300
400 × 600	600	300
400 × 700	700	300
500 × 600	600	400
500 × 700	700	400
600 × 400	400	500
600 × 500	500	500
600 × 600	600	500
600 × 700	700	500
600 × 800	800	500
600 × 1000	1000	500
600 × 1200	1200	500
800 × 800	800	700
800 × 1000	800	700



**ADJUSTABLE MOUNTING PLATE ■**

**JUSTERBAR MONTAGEPLADE ■**

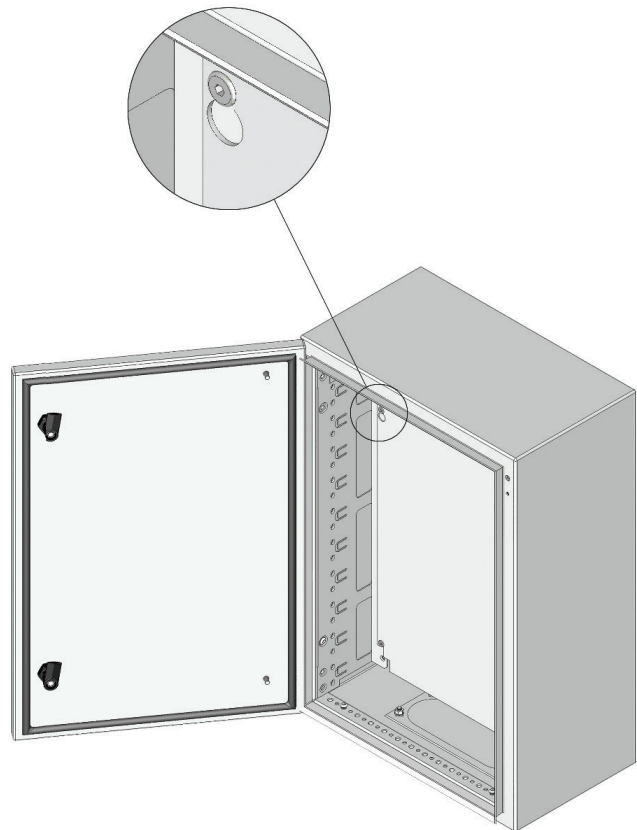
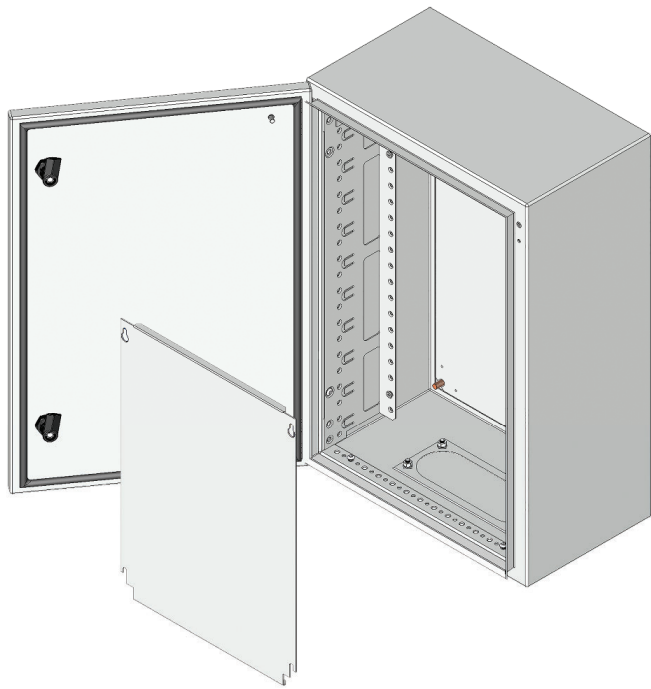
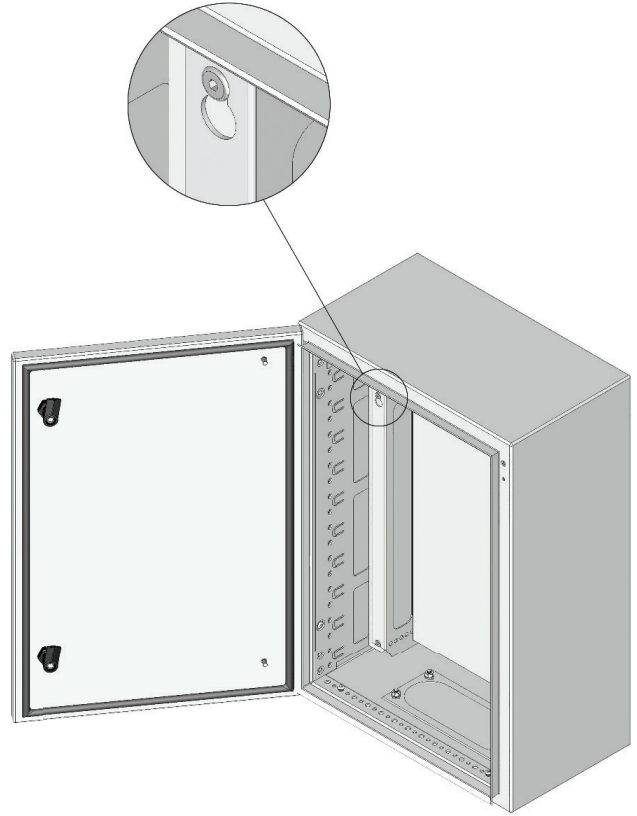
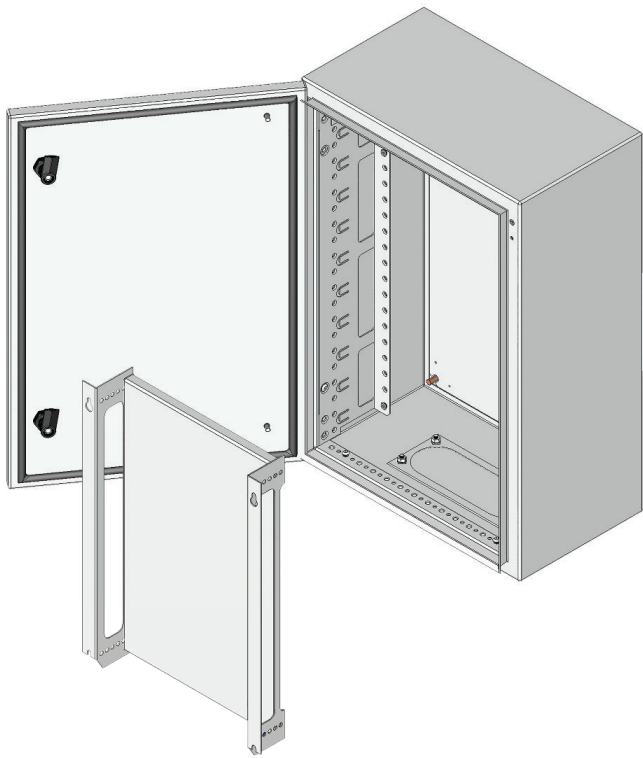
TYPE	DESCRIPTION	SIZE (W×H)	WEIGHT (kg)	ORDER No. Alu-zinc
AMDB 3.1-5	ADJUSTABLE MOUNTING PLATE	300×150	0.62	65430
AMDB 3.2	ADJUSTABLE MOUNTING PLATE	300×200	0.82	65431
AMDB 3.3	ADJUSTABLE MOUNTING PLATE	300×300	1.12	65432
AMDB 3.4-5	ADJUSTABLE MOUNTING PLATE	300×450	1.68	65434
AMDB 4.1-5	ADJUSTABLE MOUNTING PLATE	400×150	0.75	65400
AMDB 4.2	ADJUSTABLE MOUNTING PLATE	400×200	1.09	65401
AMDB 4.3	ADJUSTABLE MOUNTING PLATE	400×300	1.50	65405
AMDB 4.4-5	ADJUSTABLE MOUNTING PLATE	400×450	2.25	65410
AMDB 5.1-5	ADJUSTABLE MOUNTING PLATE	500×150	0.92	65436
AMDB 5.2	ADJUSTABLE MOUNTING PLATE	500×200	1.36	65437
AMDB 5.3	ADJUSTABLE MOUNTING PLATE	500×300	1.85	65438
AMDB 5.4-5	ADJUSTABLE MOUNTING PLATE	500×450	2.78	65440
AMDB 6.1-5	ADJUSTABLE MOUNTING PLATE	600×150	1.25	65415
AMDB 6.2	ADJUSTABLE MOUNTING PLATE	600×200	1.63	65416
AMDB 6.3	ADJUSTABLE MOUNTING PLATE	600×300	2.23	65420
AMDB 6.4-5	ADJUSTABLE MOUNTING PLATE	600×450	3.21	65425



**FIXED TYPE MOUNTING PLATE ■**

**FAST MONTAGEPLADE ■**

TYPE	DESCRIPTION	SIZE (W×H)	WEIGHT (kg)	ORDER No. Alu-zinc
FMDB 3.1-5	FIXED TYPE MOUNTING PLATE	300×150	0.40	65600
FMDB 3.2	FIXED TYPE MOUNTING PLATE	300×200	0.53	65601
FMDB 3.3	FIXED TYPE MOUNTING PLATE	300×300	0.81	65602
FMDB 3.4-5	FIXED TYPE MOUNTING PLATE	300×450	1.22	65604
FMDB 3.6	FIXED TYPE MOUNTING PLATE	300×600	1.63	65606
FMDB 4.1-5	FIXED TYPE MOUNTING PLATE	400×150	0.62	65608
FMDB 4.2	FIXED TYPE MOUNTING PLATE	400×200	0.82	65609
FMDB 4.3	FIXED TYPE MOUNTING PLATE	400×300	1.25	65610
FMDB 4.4-5	FIXED TYPE MOUNTING PLATE	400×450	1.71	65612
FMDB 4.6	FIXED TYPE MOUNTING PLATE	400×600	2.50	65614
FMDB 5.1-5	FIXED TYPE MOUNTING PLATE	500×150	0.78	65616
FMDB 5.2	FIXED TYPE MOUNTING PLATE	500×200	1.04	65617
FMDB 5.3	FIXED TYPE MOUNTING PLATE	500×300	1.56	65618
FMDB 5.4-5	FIXED TYPE MOUNTING PLATE	500×450	2.34	65620
FMDB 5.6	FIXED TYPE MOUNTING PLATE	500×600	3.12	65622
FMDB 6.1-5	FIXED TYPE MOUNTING PLATE	600×150	0.98	65624
FMDB 6.2	FIXED TYPE MOUNTING PLATE	600×200	1.30	65625
FMDB 6.3	FIXED TYPE MOUNTING PLATE	600×300	1.96	65626
FMDB 6.4-5	FIXED TYPE MOUNTING PLATE	600×450	2.94	65628
FMDB 6.6	FIXED TYPE MOUNTING PLATE	600×600	3.93	65630



**COMBI RAILS ■****KOMBI SKINNER ■**

TYPE	DESCRIPTION	SIZE (W×H)	WEIGHT (kg)	ORDER No. RAL 7035 FTF.
CR 2.2	COMBI RAILS	200 × 200	0.49	54300
CR 2.3	COMBI RAILS	200 × 300	0.63	54310
CR 2-5.3	COMBI RAILS	250 × 300	0.70	54320
CR 3.3	COMBI RAILS	300 × 300	0.77	54330
CR 3.4	COMBI RAILS	300 × 400	0.92	54340
CR 4.3	COMBI RAILS	400 × 300	0.92	54350
CR 4.4	COMBI RAILS	400 × 400	1.06	54360
CR 4.5	COMBI RAILS	400 × 500	1.20	54370
CR 4.6	COMBI RAILS	400 × 600	1.35	54380
CR 5.6	COMBI RAILS	500 × 600	1.49	54390
CR 5.7	COMBI RAILS	500 × 700	1.63	54400
CR 6.4	COMBI RAILS	600 × 400	1.35	54410
CR 6.5	COMBI RAILS	600 × 500	1.49	54420
CR 6.6	COMBI RAILS	600 × 600	1.63	54430
CR 6.7	COMBI RAILS	600 × 700	1.77	54440
CR 6.8	COMBI RAILS	600 × 800	1.92	54450
CR 6.10	COMBI RAILS	600 × 1000	2.20	54460
CR 8.8	COMBI RAILS	800 × 800	2.20	54470
CR 8.10	COMBI RAILS	800 × 1000	2.49	54480

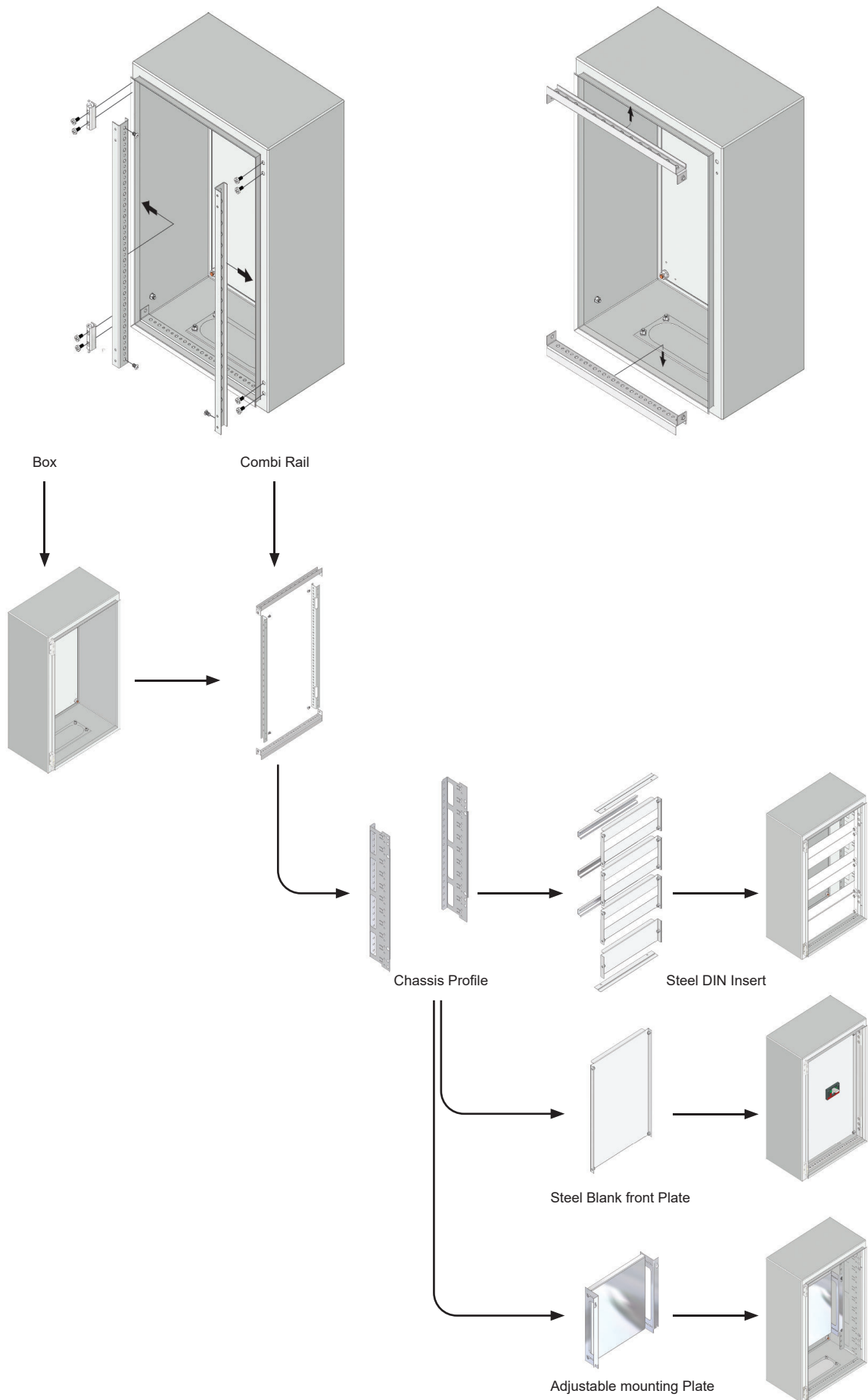
**CHASSIS PROFILE ■  
(FOR INSERTS)****RAMME ■  
(FOR INDSATSE)**

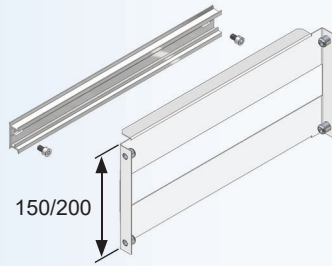
TYPE	DESCRIPTION	MODULAR SIZE (H)	WEIGHT (kg)	ORDER No. RAL 9010 SMF.	ORDER No. RAL 7035 FTF.
CPDB 2	CHASSIS PROFILE FOR INSERTS	200	0.3	65250	65274
CPDB 3	CHASSIS PROFILE FOR INSERTS	300	0.8	65298	65249
CPDB 4	CHASSIS PROFILE FOR INSERTS	400	1.1	65260	65191
CPDB 5	CHASSIS PROFILE FOR INSERTS	500	1.8	65299	65296
CPDB 6	CHASSIS PROFILE FOR INSERTS	600	2.3	65261	65192
CPDB 7	CHASSIS PROFILE FOR INSERTS	700	2.2	65304	65290
CPDB 8	CHASSIS PROFILE FOR INSERTS	800	2.5	65262	65193
CPDB 10	CHASSIS PROFILE FOR INSERTS	1000	2.8	65263	65194
CPDB 12	CHASSIS PROFILE FOR INSERTS	1200	3.1	65264	65195
CPDB 14	CHASSIS PROFILE FOR INSERTS	1400	3.3	65270	65196

**TOP & BOTTOM PROFILES ■****TOP OG BUND RAMME ■**

TYPE	DESCRIPTION	MODULAR SIZE (W)	WEIGHT (kg)	ORDER No. RAL 9010 SMF.	ORDER No. RAL 7035 FTF.
TBPDB 3	TOP & BOTTOM PROFILES	300	0.21	65265	65285
TBPDB 4	TOP & BOTTOM PROFILES	400	0.30	65266	65286
TBPDB 5	TOP & BOTTOM PROFILES	500	0.40	65267	65287
TBPDB 6	TOP & BOTTOM PROFILES	600	0.51	65268	65288
TBPDB 8	TOP & BOTTOM PROFILES	800	0.68	65269	65289



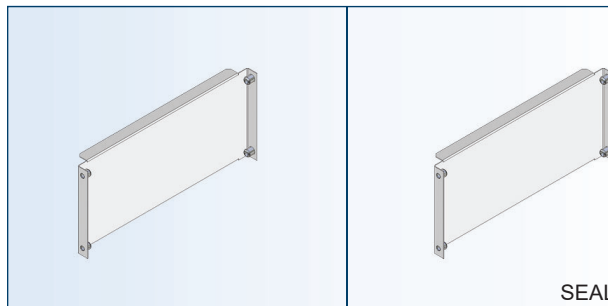




**STEEL DIN INSERT ■**

**STÅL DIN INDSATS ■**

TYPE	DESCRIPTION	ROWS+MODULES	SIZE (W×H)	WEIGHT (kg)	ORDER No. RAL 9010 SMF.	ORDER No. RAL 7035 FTF.
DIDB 3.1-5	STEEL DIN RAIL INSERT	1 × 12	300 × 150	0.40	65305	65306
DIDB 3.2	STEEL DIN RAIL INSERT	1 × 12	300 × 200	0.52	65315	65316
DIDB 4.1-5	STEEL DIN RAIL INSERT	1 × 18	400 × 150	0.51	65300	65301
DIDB 4.2	STEEL DIN RAIL INSERT	1 × 18	400 × 200	0.75	65310	65311
DIDB 5.1-5	STEEL DIN RAIL INSERT	1 × 23	500 × 150	0.67	65325	65326
DIDB 5.2	STEEL DIN RAIL INSERT	1 × 23	500 × 200	0.86	65335	65336
DIDB 6.1-5	STEEL DIN RAIL INSERT	1 × 29	600 × 150	0.83	65320	65321
DIDB 6.2	STEEL DIN RAIL INSERT	1 × 29	600 × 200	1.04	65330	65331



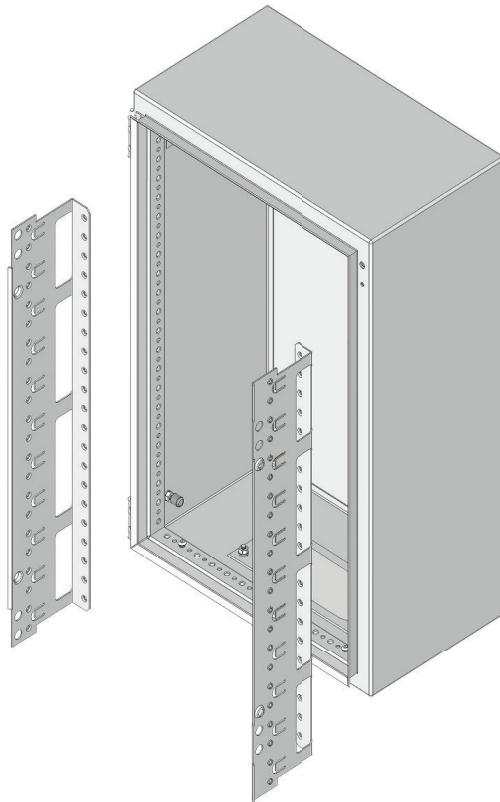
**BLANK FRONT PLATE ■**

**AFDÆKNING ■**

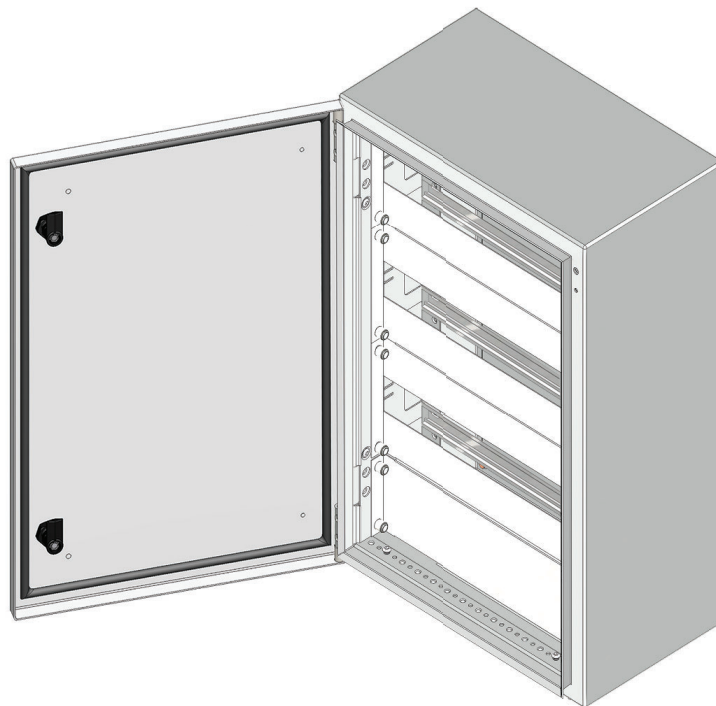
SEAL TYPE

TYPE	DESCRIPTION	SIZE (W×H)	WEIGHT (kg)	ORDER No. RAL 9010 SMF.	ORDER No. SEAL TYPE RAL 9010 SMF.	ORDER No. RAL 7035 FTF.	ORDER No. SEAL TYPE RAL7035 FTF.
BFDB 3.5	STEEL BLANK FRONT PLATE	300 × 50	0.13	65543	-	65549	-
BFDB 3.1	STEEL BLANK FRONT PLATE	300 × 100	0.26	65544	-	65551	-
BFDB 3.1-5	STEEL BLANK FRONT PLATE	300 × 150	0.39	65545	65547	65553	65554
BFDB 3.2	STEEL BLANK FRONT PLATE	300 × 200	0.52	65546	65548	65556	65558
BFDB 3.3	STEEL BLANK FRONT PLATE	300 × 300	0.83	65550	65552	65559	65561
BFDB 3.4-5	STEEL BLANK FRONT PLATE	300 × 450	1.17	65555	65557	65567	65568
BFDB 3.6	STEEL BLANK FRONT PLATE	300 × 600	1.56	65560	65562	65569	65571
BFDB 4.5	STEEL BLANK FRONT PLATE	400 × 50	0.19	65498	-	65508	-
BFDB 4.1	STEEL BLANK FRONT PLATE	400 × 100	0.37	65499	-	65509	-
BFDB 4.1-5	STEEL BLANK FRONT PLATE	400 × 150	0.56	65500	65502	65506	65511
BFDB 4.2	STEEL BLANK FRONT PLATE	400 × 200	0.69	65501	65503	65513	65514
BFDB 4.3	STEEL BLANK FRONT PLATE	400 × 300	1.02	65505	65507	65516	65522
BFDB 4.4-5	STEEL BLANK FRONT PLATE	400 × 450	1.53	65510	65512	65523	65524
BFDB 4.6	STEEL BLANK FRONT PLATE	400 × 600	2.05	65515	65517	65526	65527
BFDB 5.5	STEEL BLANK FRONT PLATE	500 × 50	0.23	65563	-	65572	-
BFDB 5.1	STEEL BLANK FRONT PLATE	500 × 100	0.46	65564	-	65573	-
BFDB 5.1-5	STEEL BLANK FRONT PLATE	500 × 150	0.69	65565	-	65574	-
BFDB 5.2	STEEL BLANK FRONT PLATE	500 × 200	0.86	65566	-	65576	-
BFDB 5.3	STEEL BLANK FRONT PLATE	500 × 300	1.28	65570	-	65577	-
BFDB 5.4-5	STEEL BLANK FRONT PLATE	500 × 450	2.08	65575	-	65578	-
BFDB 5.6	STEEL BLANK FRONT PLATE	500 × 600	2.78	65580	-	65581	-
BFDB 6.5	STEEL BLANK FRONT PLATE	600 × 50	0.25	65518	-	65528	-
BFDB 6.1	STEEL BLANK FRONT PLATE	600 × 100	0.51	65519	-	65529	-
BFDB 6.1-5	STEEL BLANK FRONT PLATE	600 × 150	0.76	65520	-	65531	-
BFDB 6.2	STEEL BLANK FRONT PLATE	600 × 200	1.03	65521	-	65532	-
BFDB 6.3	STEEL BLANK FRONT PLATE	600 × 300	1.56	65525	-	65533	-
BFDB 6.4-5	STEEL BLANK FRONT PLATE	600 × 450	2.29	65530	-	65534	-
BFDB 6.6	STEEL BLANK FRONT PLATE	600 × 600	3.06	65535	-	65536	-


1



2



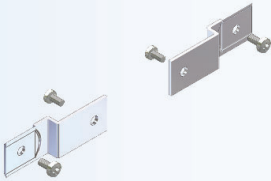
For more options please visit [www.elsteel.com](http://www.elsteel.com)



**DIN RAIL** ■

**DIN SKINNE** ■

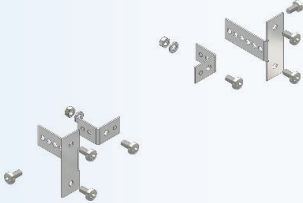
TYPE	DESCRIPTION	LENGTH	WEIGHT (kg)	ORDER No.
ALDR 2	DIN RAIL	2000	0.764	65350
ALDR 4	DIN RAIL	4000	1.530	65351



**BRACKETS FOR DIN RAIL** ■

**BESLAG TIL DIN SKINNE** ■


TYPE	DESCRIPTION	WEIGHT (kg)	ORDER No. Aluzinc
BCDB	BRACKETS FOR DIN RAIL	0.06	65591



**ADJUSTABLE DIN RAIL BRACKETS** ■

**JUSTERBARE DIN SKINNEBESLAG** ■

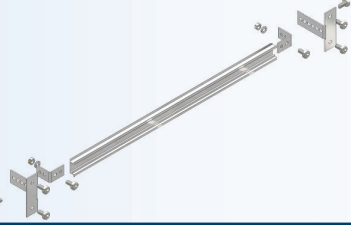
TYPE	DESCRIPTION	WEIGHT (kg)	ORDER No. Aluzinc
ADRB	ADJUSTABLE DIN RAIL BRACKETS	0.14	65592



**DIN RAIL WITH FIXING BRACKETS** ■

**HEL DIN SKINNE MED BESLAG** ■

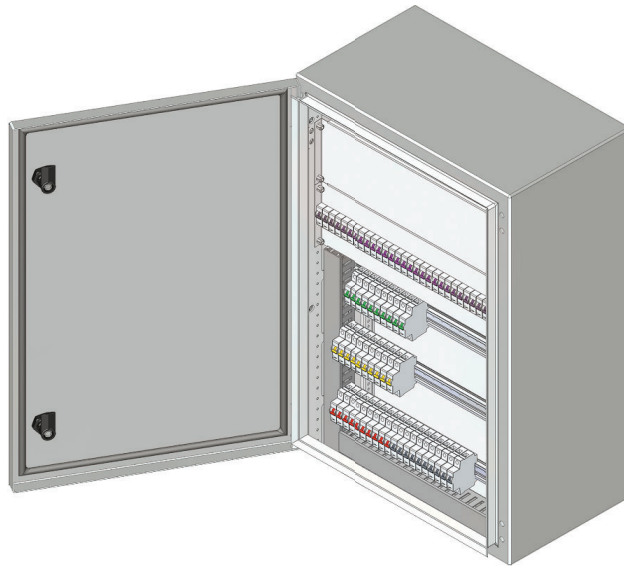
TYPE	DESCRIPTION	WEIGHT (kg)	ORDER No.
DBDR 4	DIN RAIL WITH FIXING BRACKETS	0.14	65656
DBDR 5	DIN RAIL WITH FIXING BRACKETS	0.18	65657
DBDR 6	DIN RAIL WITH FIXING BRACKETS	0.22	65594
DBDR 8	DIN RAIL WITH FIXING BRACKETS	0.29	65597



**DIN RAIL WITH ADJUSTABLE FIXING BRACKETS** ■

**DIN SKINNE MED JUSTERBARE BESLAG** ■

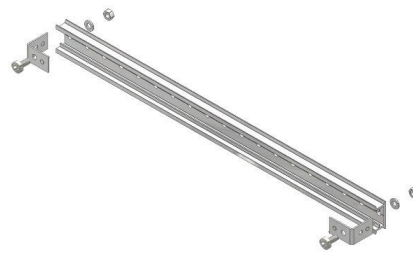
TYPE	DESCRIPTION	WEIGHT (kg)	ORDER No.
DABDR 4	DIN RAIL WITH ADJUSTABLE FIXING BRACKETS	0.21	65651
DABDR 5	DIN RAIL WITH ADJUSTABLE FIXING BRACKETS	0.25	65652
DABDR 6	DIN RAIL WITH ADJUSTABLE FIXING BRACKETS	0.31	65595
DABDR 8	DIN RAIL WITH ADJUSTABLE FIXING BRACKETS	0.41	65598



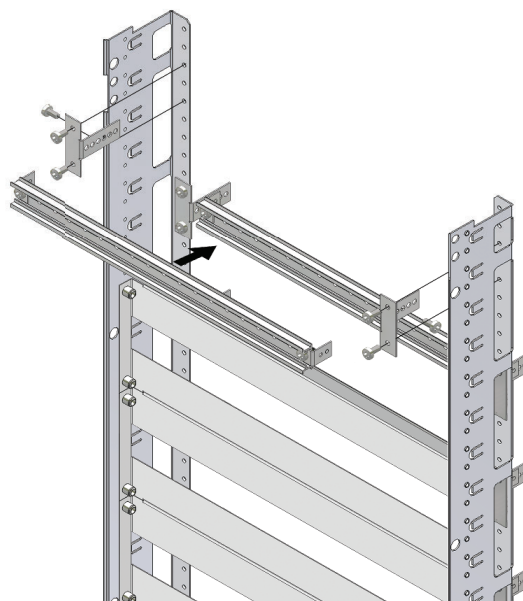
1

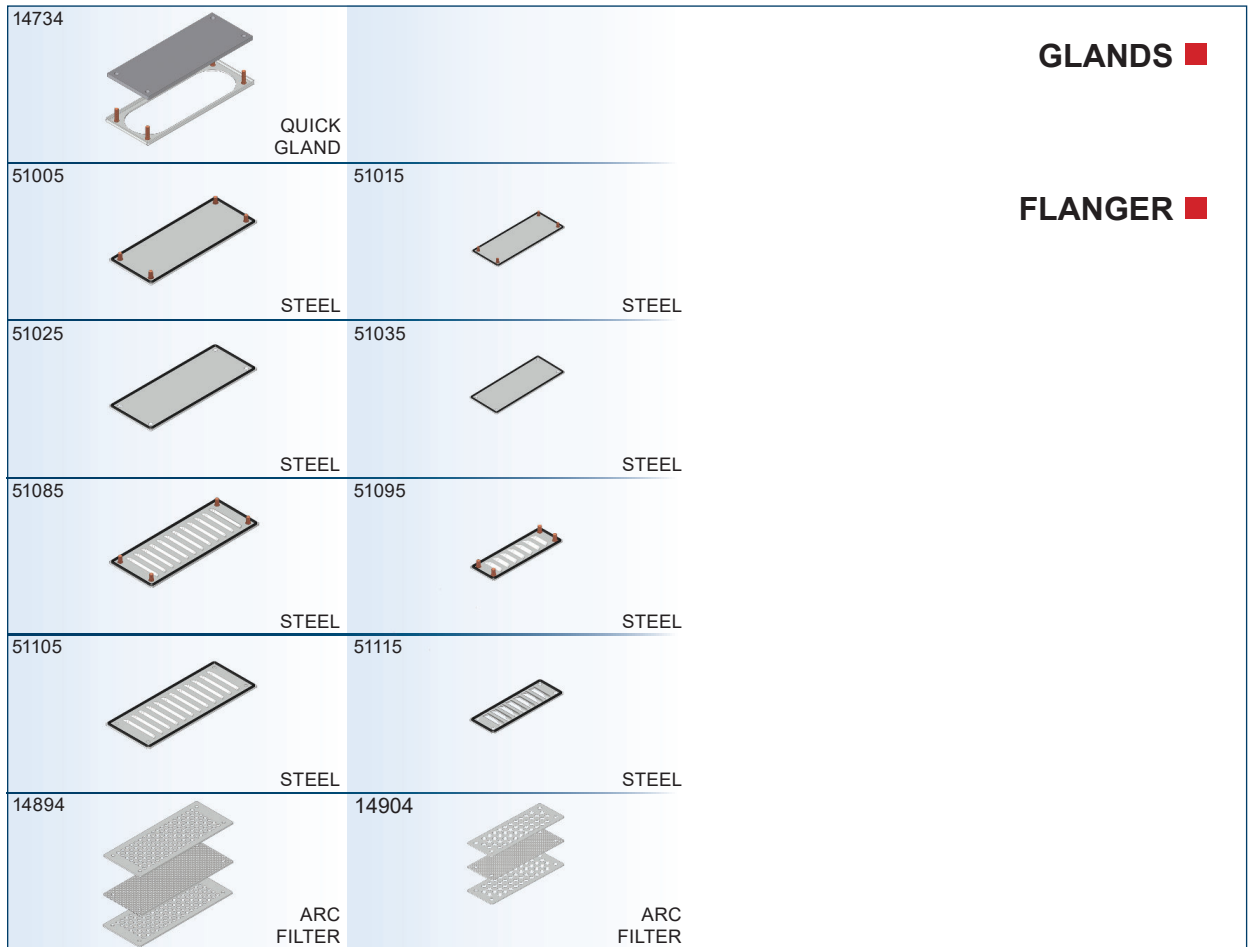


2



3

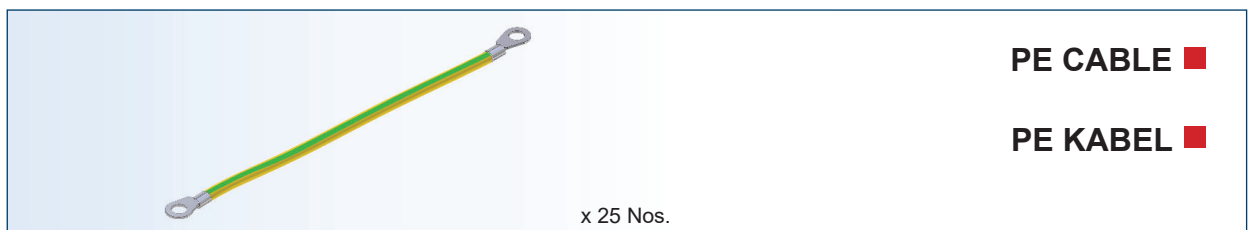




**GLANDS** ■

**FLANGER** ■

TYPE	DESCRIPTION	WEIGHT (kg)	ORDER No. RAL 7035 FTF.
QG	QUICK GLAND PLATE - FOAM	216 × 86	14734
SGSG 216	STEEL GLAND WITH STUD	216 × 86	51005
SGSG 139	STEEL GLAND WITH STUD	139 × 48	51015
SGHG 216	STEEL GLAND WITH HOLE	216 × 86	51025
SGHG 139	STEEL GLAND WITH HOLE	139 × 48	51035
LGSG 216	LOUVER GLAND WITH STUD	216 × 86	51085
LGSG 139	LOUVER GLAND WITH STUD	139 × 48	51095
LGHG 216	LOUVER GLAND WITH HOLE	216 × 86	51105
LGHG 139	LOUVER GLAND WITH HOLE	139 × 48	51115
AF 216	ARC FILTER	216 × 86	14894
AF 139	ARC FILTER	139 × 48	14904

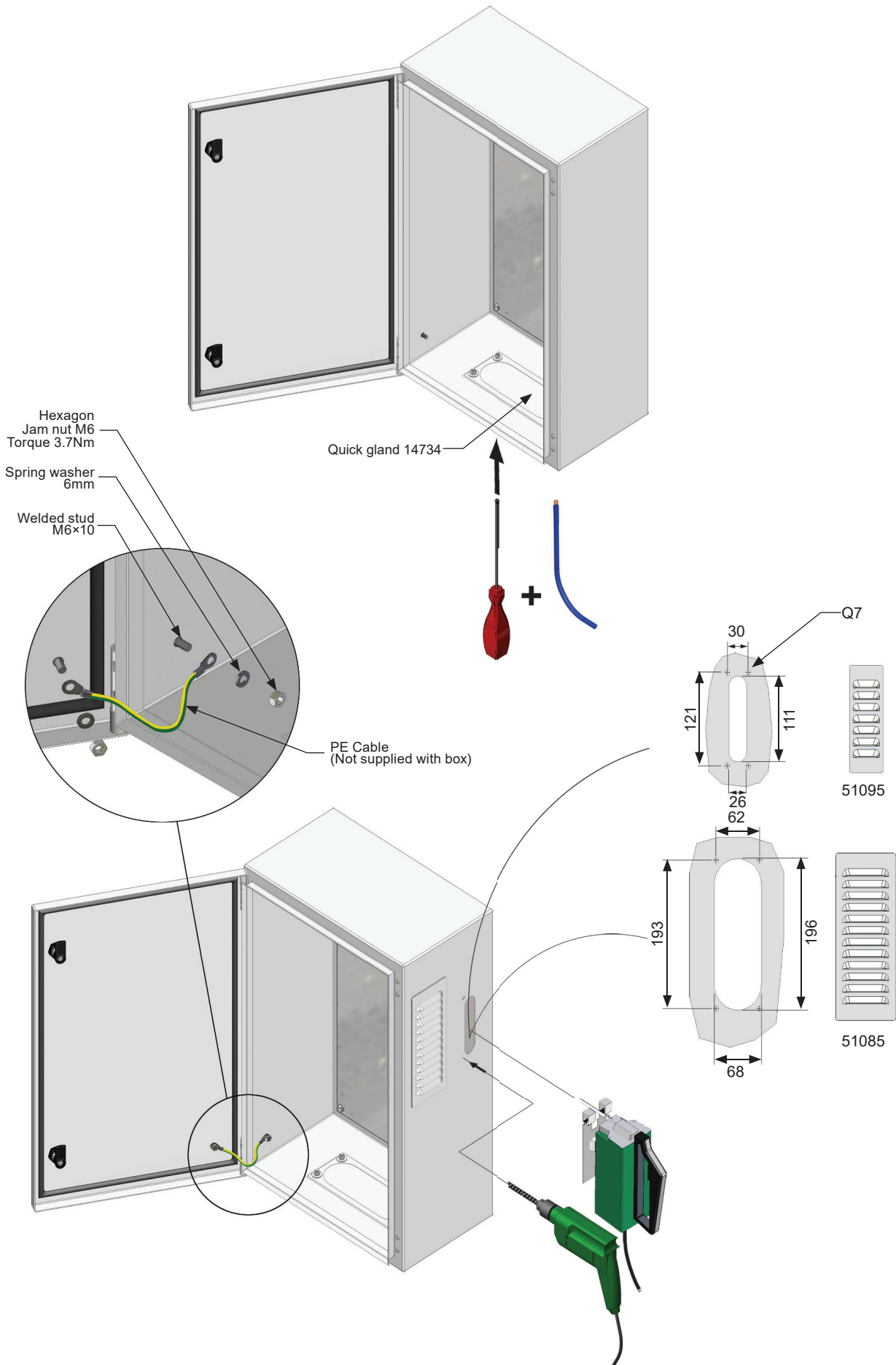


**PE CABLE** ■

**PE KABEL** ■

TYPE	DESCRIPTION	LENGTH	ORDER No.
ES 2.5	PE CABLE 2.5 mm <sup>2</sup>	200	14571
ES 4	PE CABLE 4 mm <sup>2</sup>	200	14580
ES 6	PE CABLE 6 mm <sup>2</sup>	200	14590
ES 10	PE CABLE 10 mm <sup>2</sup>	200	14600
ES 16	PE CABLE 16 mm <sup>2</sup>	200	14610





**Elsteel Box Enclosures** are certified as per IEC, UL and CSA standards by independent certification authorities.



**Elsteel Boxes** are certified for marine applications by



Please see the UL brochure for UL approved products.

Enclosure type	Standard	Date of issue	Certificate No.
Stainless Steel Box IP69K	IEC 62208:2002 ed 2.0 2002-11	December 2007	IPH-1819.1575.7.619
Mild Steel and Stainless Steel Terminal Box	IEC 62208:2011 ed 2.0 2011-08	February 2018	DEKRA-2217145.100
Stainless Steel Box	IEC 62208:2011 ed 2.0 2011-08	February 2018	DEKRA-2217145.101
Mild Steel Box	IEC 62208:2011 ed 2.0 2011-08	February 2018	DEKRA-2217145.102

Stay up to date with the latest tests and certifications at [www.elsteel.com](http://www.elsteel.com)

**MILD STEEL BOX IP66**

Installation	Indoor
Mounting possibilities	Wall mounting
	Pole mounting
Degree of protection (IP)	
MS Box with steel door	IP66
MS Box with glass door (BGD)	IP30
MS Box with louver gland (LGSG; LGHG)	IP21
MS Box with arc filter (AF)	IP31
External mechanical impact (IK)	IK08
Static load	
Wall mounting brackets (BWB)	300 kg
Stand off wall mounting brackets (STWB)	300 kg
Pole mounting system (PMS)	100 kg
Mounting plate (1.2 mm thickness box)	145 kg
Mounting plate (1.5 mm thickness box)	250 kg
Adjustable mounting plate (AMDB)	40 kg
Fixed type mounting plate (FMDB)	40 kg
Combi rails	40 kg
DIN rail	20 kg
Door	20 kg
Internal door	10 kg
Axial loads of metal inserts	500N

**STAINLESS STEEL BOX**

Installation	Outdoor
Mounting possibilities	Wall mounting
Degree of protection (IP)	
Stainless Steel Box	IP66, IP69K
Stainless Steel Box Sloping Roof	IP66
External mechanical impact (IK)	IK08
Static load	
Wall mounting brackets (SWB)	300 kg
Mounting plate	250 kg
Door	20 kg
Axial loads of metal inserts	500N

**TERMINAL BOX IP66**

Installation	Indoor - Mild Steel, Outdoor - Stainless Steel
Mounting possibilities	Wall mounting
Degree of protection (IP)	IP66
External mechanical impact (IK)	IK08
Static load	
Wall mounting brackets (SWB)	38 kg
Enclosure	35 kg
Lid	20 kg
Axial loads of metal inserts	500N

## MILD STEEL BOX IP66

<b>Enclosure</b>	
Single door (W×H×D): up to 600×500×200 mm (inclusive)	Mild steel 1.2 mm
Single door (W×H×D): up to 1000×1200×400 mm (inclusive)	Mild steel 1.5 mm
Double door (W×H×D): up to 1400×1000×300 mm (inclusive)	Mild steel 1.5 mm
<b>Mounting plate</b>	
Mounting plate	Al-Zn 2.0 mm
Adjustable mounting plate (AMDB)	Al-Zn 2.0 mm
Fixed type mounting plate (FMDB)	Al-Zn 2.0 mm

## STAINLESS STEEL BOX IP66

<b>Enclosure</b>	
Single door (W×H×D): up to 600×600×250 mm (inclusive)	AISI 304 1.2 mm, AISI 316 1.2 mm
Single door (W×H×D): up to 1000×1200×300 mm (inclusive)	AISI 304 1.5 mm, AISI 316 1.5 mm
<b>Mounting plate</b>	Al-Zn 2.0 mm

## STAINLESS STEEL BOX IP69K

<b>Enclosure</b>	
Stainless steel	AISI 304 1.5 mm, AISI 316 1.5 mm

## STAINLESS STEEL BOX IP66 SLOPING ROOF

<b>Enclosure</b>	
Stainless steel	AISI 304 1.5 mm, AISI 316 1.5 mm

## TERMINAL BOX IP66

<b>Enclosure</b>	
Mild Steel	Mild steel 1.0 mm
Stainless steel	AISI 304 1.2 mm, AISI 316 1.2 mm



## MILD STEEL BOX IP66 / MILD STEEL TERMINAL BOX IP66

PAINT SPECIFICATIONS	
Type of paint	Epoxy polyester powder
Type of finish	Semi gloss/ Smooth finish
Coating thickness	≥ 60µm
To repaint	Slightly sanding the surface to be painted and apply required colour layer. Please inform paint supplier above information.

Type of paint	Epoxy polyester powder
Type of finish	Texture finish/ Fine Texture Finish
Coating thickness	≥ 70µm
To repaint	Slightly sanding the surface to be painted and apply required colour layer. Please inform paint supplier above information.









MODULAR  
**ELSTEEL**  
ENCLOSURES



**100% Danish**  
Technology

Møllevej 9 C · 2990 Nivå  
Denmark  
Tel +45 49 22 33 44  
elsteel@elsteel.dk  
[www.elsteel.com](http://www.elsteel.com)