



**BOX**



**MODULAR**  
**ELSTEEL**  
**ENCLOSURES**

# The Exclusive Box by ELSTEEL



You're holding a top of the line quality product in your hands. Made with love and excellence! I hope you will enjoy assembling and using Elsteel products as much as I enjoy manufacturing it for you.

A handwritten signature in white ink, appearing to be 'Fang Logstrup'.

**Fang Logstrup**  
Managing Director



# UL and CSA Listed

---

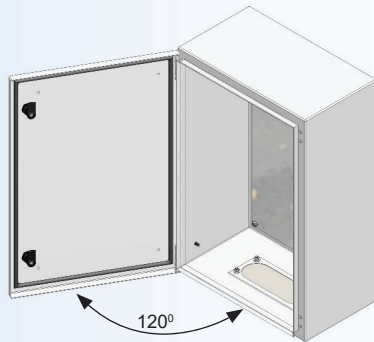
**Mild Steel Boxes**

**Stainless Steel Boxes**

**Terminal Boxes**

---

- Door open angle 120°
- Hinged right or left
- Wide range of sizes
- Special colours and cutouts



**MILD STEEL BOX ■**  
**SINGLE DOOR**  
**STANDARD GLAND**  
**VERSION 2**

UL LISTED BOX

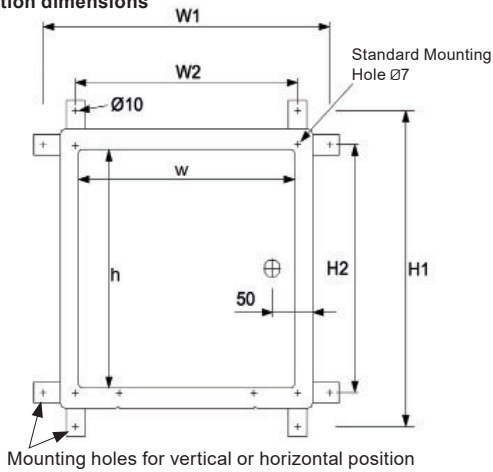
CAT. No.	DESCRIPTION	SIZE (W×H×D)	LOCKS	WEIGHT (kg)	ORDER No. RAL 7035 FTF.
UBOX 2.2-150 V2	MILD STEEL BOX UL LISTED	200 × 200 × 150	1	2.91	U55500
UBOX 2.2,5-150 V2	MILD STEEL BOX UL LISTED	200 × 250 × 150	1	3.38	U55510
UBOX 2.3-150 V2	MILD STEEL BOX UL LISTED	200 × 300 × 150	1	3.97	U55520
UBOX 2.3-200 V2	MILD STEEL BOX UL LISTED	200 × 300 × 200	1	4.11	U55530
UBOX 2,5.2-150 V2	MILD STEEL BOX UL LISTED	250 × 200 × 150	1	4.36	U55540
UBOX 2,5.3-150 V2	MILD STEEL BOX UL LISTED	250 × 300 × 150	1	4.92	U55550
UBOX 2,5.3-200 V2	MILD STEEL BOX UL LISTED	250 × 300 × 200	1	4.98	U55560
UBOX 2,5.3-250 V2	MILD STEEL BOX UL LISTED	250 × 300 × 250	1	5.27	U55570
UBOX 3.2-200 V2	MILD STEEL BOX UL LISTED	300 × 200 × 200	1	5.48	U56591
UBOX 3.3-150 V2	MILD STEEL BOX UL LISTED	300 × 300 × 150	1	5.63	U55580
UBOX 3.3-175 V2	MILD STEEL BOX UL LISTED	300 × 300 × 175	1	5.94	U55590
UBOX 3.3-200 V2	MILD STEEL BOX UL LISTED	300 × 300 × 200	1	6.24	U55600
UBOX 3.4-150 V2	MILD STEEL BOX UL LISTED	300 × 400 × 150	2	7.06	U55610
UBOX 3.4-175 V2	MILD STEEL BOX UL LISTED	300 × 400 × 175	2	7.41	U55620
UBOX 3.4-200 V2	MILD STEEL BOX UL LISTED	300 × 400 × 200	2	7.77	U55630
UBOX 3.4-250 V2	MILD STEEL BOX UL LISTED	300 × 400 × 250	2	7.98	U55640
UBOX 3.5-150 V2	MILD STEEL BOX UL LISTED	300 × 500 × 150	2	8.09	U55650
UBOX 3.5-200 V2	MILD STEEL BOX UL LISTED	300 × 500 × 200	2	8.21	U55660
UBOX 3.5-250 V2	MILD STEEL BOX UL LISTED	300 × 500 × 250	2	5.36	U55670
UBOX 4.3-150 V2	MILD STEEL BOX UL LISTED	400 × 300 × 150	1	7.06	U55680
UBOX 4.3-175 V2	MILD STEEL BOX UL LISTED	400 × 300 × 175	1	7.41	U55690
UBOX 4.3-200 V2	MILD STEEL BOX UL LISTED	400 × 300 × 200	1	7.77	U55700
UBOX 4.4-150 V2	MILD STEEL BOX UL LISTED	400 × 400 × 150	2	8.86	U55710
UBOX 4.4-175 V2	MILD STEEL BOX UL LISTED	400 × 400 × 175	2	9.27	U55720
UBOX 4.4-200 V2	MILD STEEL BOX UL LISTED	400 × 400 × 200	2	9.67	U55730
UBOX 4.4-300 V2	MILD STEEL BOX UL LISTED	400 × 400 × 300	2	9.89	U56710
UBOX 4.5-150 V2	MILD STEEL BOX UL LISTED	400 × 500 × 150	2	10.66	U55740
UBOX 4.5-175 V2	MILD STEEL BOX UL LISTED	400 × 500 × 175	2	11.12	U55750
UBOX 4.5-200 V2	MILD STEEL BOX UL LISTED	400 × 500 × 200	2	11.57	U55760
UBOX 4.5-250 V2	MILD STEEL BOX UL LISTED	400 × 500 × 250	2	13.77	U55770
UBOX 4.5-300 V2	MILD STEEL BOX UL LISTED	400 × 500 × 300	2	13.91	U55780
UBOX 4.6-150 V2	MILD STEEL BOX UL LISTED	400 × 600 × 150	2	14.03	U55790
UBOX 4.6-175 V2	MILD STEEL BOX UL LISTED	400 × 600 × 175	2	14.41	U55800
UBOX 4.6-200 V2	MILD STEEL BOX UL LISTED	400 × 600 × 200	2	15.87	U55810
UBOX 4.6-250 V2	MILD STEEL BOX UL LISTED	400 × 600 × 250	2	17.13	U55820
UBOX 4.6-300 V2	MILD STEEL BOX UL LISTED	400 × 600 × 300	2	17.48	U55830
UBOX 4.7-150 V2	MILD STEEL BOX UL LISTED	400 × 700 × 150	2	17.62	U55840
UBOX 4.7-175 V2	MILD STEEL BOX UL LISTED	400 × 700 × 175	2	17.81	U55850
UBOX 4.7-200 V2	MILD STEEL BOX UL LISTED	400 × 700 × 200	2	18.09	U55860
UBOX 4.8-200 V2	MILD STEEL BOX UL LISTED	400 × 800 × 200	3	18.31	U55880
UBOX 4.10-200 V2	MILD STEEL BOX UL LISTED	400 × 1000 × 200	3	18.72	U55900
UBOX 4.10-250 V2	MILD STEEL BOX UL LISTED	400 × 1000 × 250	3	18.79	U55910
UBOX 4.10-300 V2	MILD STEEL BOX UL LISTED	400 × 1000 × 300	3	18.28	U55920
UBOX 5.2-150 V2	MILD STEEL BOX UL LISTED	500 × 200 × 150	1	18.38	U56580
UBOX 5.4-200 V2	MILD STEEL BOX UL LISTED	500 × 400 × 200	2	18.46	U55990
UBOX 5.5-200 V2	MILD STEEL BOX UL LISTED	500 × 500 × 200	2	18.52	U56000
UBOX 5.5-250 V2	MILD STEEL BOX UL LISTED	500 × 500 × 250	2	18.71	U56010

Continued..

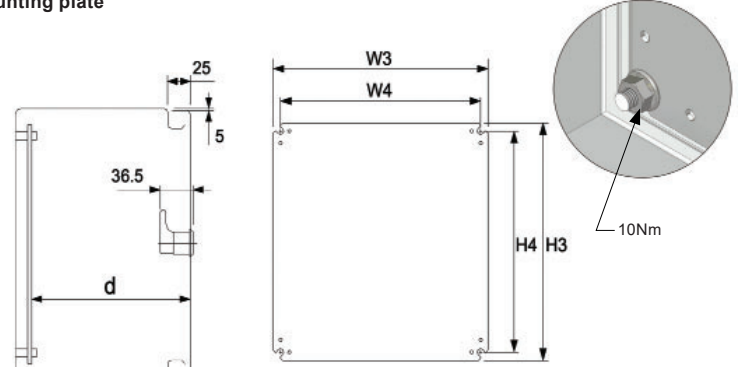
Other sizes on request.

All dimensions are given in mm

Installation dimensions



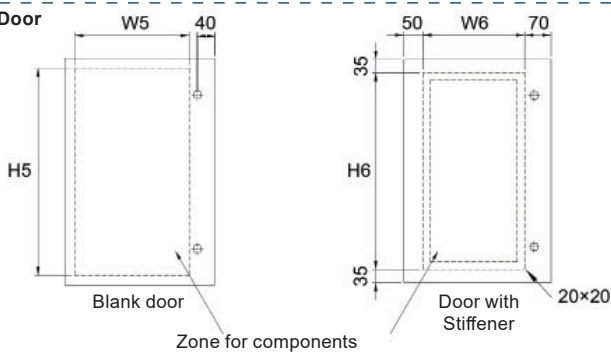
Mounting plate



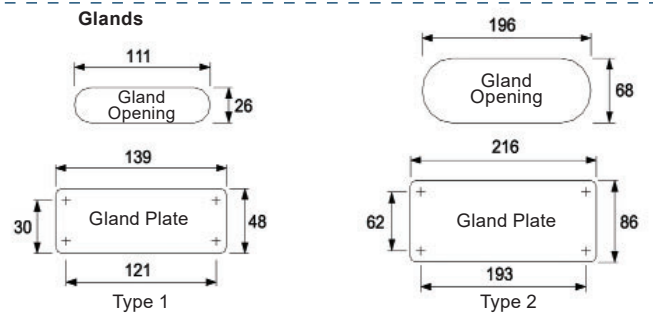
ORDER INFORMATION

ORDER No.	DESCRIPTION
xxxxx-01	Box with Steel Locks
xxxxx-03	Box with Plastic Knob Locks

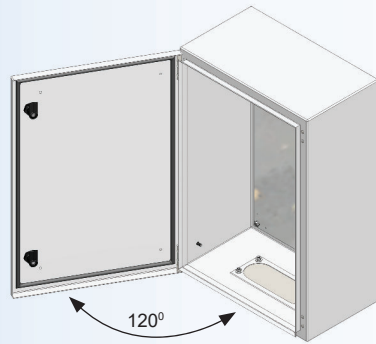
Door



Glands



CAT. No.	INSTALLATION DIMENSIONS				INTERNAL DIMENSIONS			MOUNTING PLATE				BLANK DOOR		DOOR WITH STIFFENER		TYPE OF GLAND	NO. OF GLANDS
	W1	W2	H1	H2	w	h	d	W3	W4	H3	H4	W5	H5	W6	H6		
UBOX 2.2-150 V2	240	160	240	160	150	150	135	148	125	148	125	100	140	-	-	1	1
UBOX 2.2.5-150 V2	240	160	290	210	150	200	135	148	125	148	175	100	190	-	-	1	1
UBOX 2.3-150 V2	240	160	340	260	150	250	135	148	125	248	225	100	240	-	-	1	1
UBOX 2.3-200 V2	240	160	340	260	150	250	185	148	125	248	225	100	240	-	-	1	1
UBOX 2.5.2-150 V2	290	210	240	160	200	150	135	148	175	148	125	190	100	-	-	1	1
UBOX 2.5.3-150 V2	290	210	340	260	200	250	135	198	175	248	225	150	240	-	-	2	1
UBOX 2.5.3-200 V2	290	210	340	260	200	250	185	198	175	248	225	150	240	-	-	2	1
UBOX 2.5.3-250 V2	290	210	340	260	200	250	235	198	175	248	225	150	240	-	-	2	1
UBOX 3.2-200 V2	340	260	290	210	250	150	185	198	175	148	125	100	140	-	-	2	1
UBOX 3.3-150 V2	340	260	340	260	250	250	135	248	225	248	225	200	240	-	-	2	1
UBOX 3.3-175 V2	340	260	340	260	250	250	160	248	225	248	225	200	240	-	-	2	1
UBOX 3.3-200 V2	340	260	340	260	250	250	185	248	225	248	225	200	240	-	-	2	1
UBOX 3.4-150 V2	340	260	440	360	250	350	135	248	225	348	325	200	340	-	-	2	1
UBOX 3.4-175 V2	340	260	440	360	250	350	160	248	225	348	325	200	340	-	-	2	1
UBOX 3.4-200 V2	340	260	440	360	250	350	185	248	225	348	325	200	340	-	-	2	1
UBOX 3.4-250 V2	340	260	440	360	250	350	235	248	225	348	325	200	340	-	-	2	1
UBOX 3.5-150 V2	340	260	440	360	250	450	135	248	225	348	325	200	340	-	-	2	1
UBOX 3.5-200 V2	340	260	540	460	250	450	185	248	225	448	425	200	440	-	-	2	1
UBOX 3.5-250 V2	340	260	540	460	250	450	235	248	225	448	425	200	440	-	-	2	1
UBOX 4.3-150 V2	440	360	340	260	350	250	135	348	325	248	225	300	240	-	-	2	1
UBOX 4.3-175 V2	440	360	340	260	350	250	160	348	325	248	225	300	240	-	-	2	1
UBOX 4.3-200 V2	440	360	340	260	350	250	185	348	325	248	225	300	240	-	-	2	1
UBOX 4.4-150 V2	440	360	440	360	350	350	135	348	325	348	325	300	340	-	-	2	1
UBOX 4.4-175 V2	440	360	440	360	350	350	160	348	325	348	325	300	340	-	-	2	1
UBOX 4.4-200 V2	440	360	440	360	350	350	185	348	325	348	325	300	340	-	-	2	1
UBOX 4.4-300 V2	440	360	440	360	350	350	285	348	325	448	425	300	440	-	-	2	1
UBOX 4.5-150 V2	440	360	540	460	350	450	135	348	325	448	425	300	440	-	-	2	1
UBOX 4.5-175 V2	440	360	540	460	350	450	160	348	325	448	425	300	440	-	-	2	1
UBOX 4.5-200 V2	440	360	540	460	350	450	185	348	325	448	425	300	440	-	-	2	1
UBOX 4.5-250 V2	440	360	540	460	350	450	235	348	325	448	425	300	440	-	-	2	1
UBOX 4.6-150 V2	440	360	540	460	350	450	135	348	325	448	425	300	440	-	-	2	1
UBOX 4.6-175 V2	440	360	640	560	350	550	160	348	325	448	425	300	440	-	-	2	1
UBOX 4.6-200 V2	440	360	640	560	350	550	185	348	325	548	525	300	540	-	-	2	1
UBOX 4.6-250 V2	440	360	640	560	350	550	235	348	325	548	525	300	540	-	-	2	1
UBOX 4.6-300 V2	440	360	640	560	350	550	285	348	325	548	525	300	540	-	-	2	1
UBOX 4.7-150 V2	440	360	740	660	350	650	135	348	325	648	625	300	640	-	-	2	1
UBOX 4.7-175 V2	440	360	740	660	350	650	160	348	325	648	625	300	640	-	-	2	1
UBOX 4.7-200 V2	440	360	740	660	350	650	185	348	325	648	625	300	640	-	-	2	1
UBOX 4.8-200 V2	440	360	840	760	350	750	185	348	325	748	725	300	740	-	-	2	1
UBOX 4.10-200 V2	440	360	940	860	350	950	185	348	325	948	925	300	940	-	-	2	1
UBOX 4.10-250 V2	440	360	940	860	350	950	235	348	325	948	925	300	940	-	-	2	1
UBOX 4.10-300 V2	440	360	940	860	350	950	285	348	325	948	925	300	940	-	-	2	1
UBOX 5.2-150 V2	540	460	240	160	450	150	135	448	125	148	125	400	140	-	-	2	1
UBOX 5.4-200 V2	540	460	440	360	450	350	185	448	425	348	325	200	340	-	-	2	1
UBOX 5.5-200 V2	540	460	540	460	450	450	185	448	425	448	425	400	440	-	-	2	1
UBOX 5.5-250 V2	540	460	540	460	450	450	235	448	425	448	425	400	440	-	-	2	1



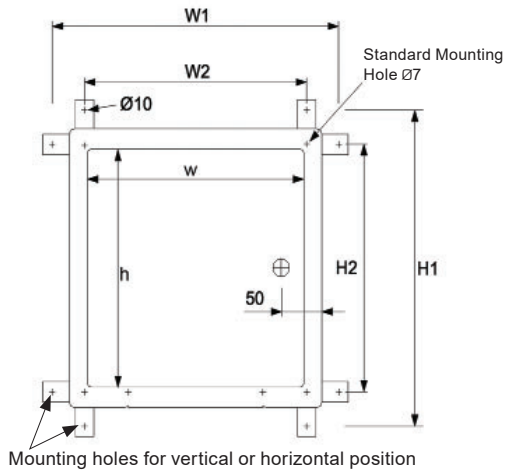
**MILD STEEL BOX ■**  
**SINGLE DOOR**  
**STANDARD GLAND**  
**VERSION 2**

UL LISTED BOX

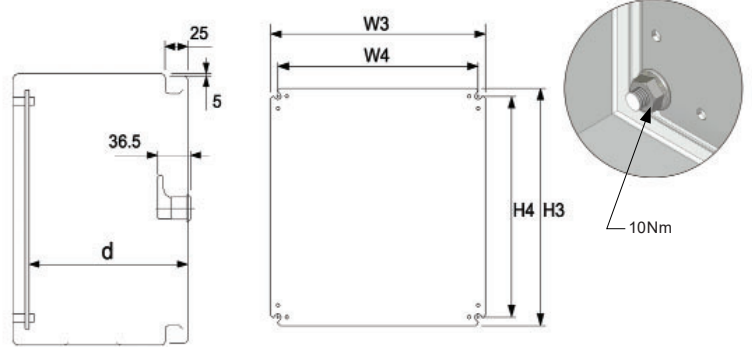
CAT. No.	DESCRIPTION	SIZE (W×H×D)	LOCKS	WEIGHT (kg)	ORDER No. RAL 7035 FTF.
UBOX 5.5-300 V2	MILD STEEL BOX UL LISTED	500 × 500 × 300	2	18.92	U56020
UBOX 5.6-150 V2	MILD STEEL BOX UL LISTED	500 × 600 × 150	2	18.99	U56030
UBOX 5.6-200 V2	MILD STEEL BOX UL LISTED	500 × 600 × 200	2	19.14	U56040
UBOX 5.6-250 V2	MILD STEEL BOX UL LISTED	500 × 600 × 250	2	19.27	U56050
UBOX 5.7-150 V2	MILD STEEL BOX UL LISTED	500 × 700 × 150	2	20.41	U56550
UBOX 5.7-200 V2	MILD STEEL BOX UL LISTED	500 × 700 × 200	2	21.59	U56060
UBOX 5.7-250 V2	MILD STEEL BOX UL LISTED	500 × 700 × 250	2	23.11	U56070
UBOX 5.8-200 V2	MILD STEEL BOX UL LISTED	500 × 800 × 200	3	23.44	U56090
UBOX 5.8-250 V2	MILD STEEL BOX UL LISTED	500 × 800 × 250	3	23.67	U56100
UBOX 5.10-250 V2	MILD STEEL BOX UL LISTED	500 × 1000 × 250	3	23.84	U56120

Other sizes on request.

### Installation dimensions



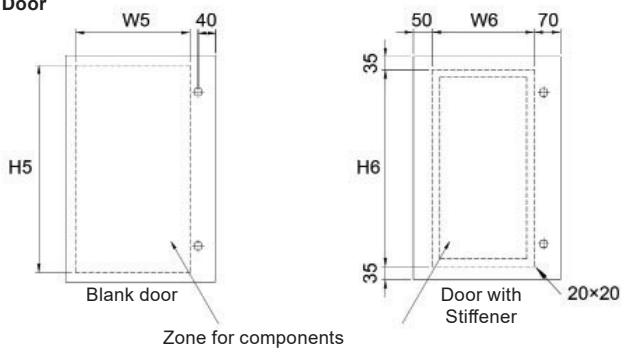
### Mounting plate



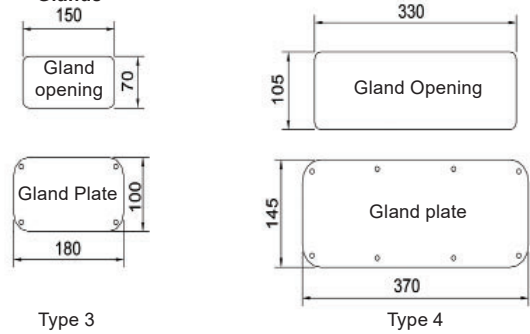
### ORDER INFORMATION

ORDER No.	DESCRIPTION
xxxx-01	Box with Steel Locks
xxxx-03	Box with Plastic Knob Locks

### Door

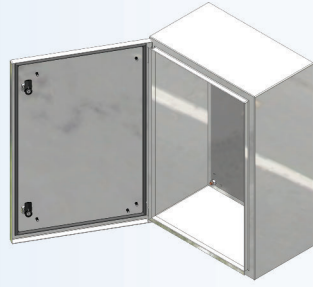


### Glands



CAT. No.	INSTALLATION DIMENSIONS				INTERNAL DIMENSIONS			MOUNTING PLATE				BLANK DOOR		TYPE OF GLAND	NO. OF GLANDS
	W1	W2	H1	H2	w	h	d	W3	W4	H3	H4	W5	H5		
UBOX 5.5-300 V2	540	460	540	460	450	450	285	448	425	448	425	400	440	2	1
UBOX 5.6-150 V2	540	460	640	560	450	550	135	448	425	548	525	400	540	2	1
UBOX 5.6-200 V2	540	460	640	560	450	550	185	448	425	548	525	400	540	2	1
UBOX 5.6-250 V2	540	460	560	450	450	550	235	448	425	548	525	400	540	2	1
UBOX 5.7-150 V2	540	460	740	660	450	650	135	448	425	648	625	400	640	2	1
UBOX 5.7-200 V2	540	460	740	660	450	650	185	448	425	648	625	400	640	2	1
UBOX 5.7-250 V2	540	460	740	660	450	650	235	448	425	648	625	400	640	2	1
UBOX 5.8-200 V2	540	460	840	760	450	750	185	448	425	748	725	400	740	2	1
UBOX 5.8-250 V2	540	460	840	760	450	750	235	448	425	748	725	400	740	2	1
UBOX 5.10-250 V2	540	460	940	860	450	950	235	448	425	948	925	400	940	2	1

UL LISTED BOX

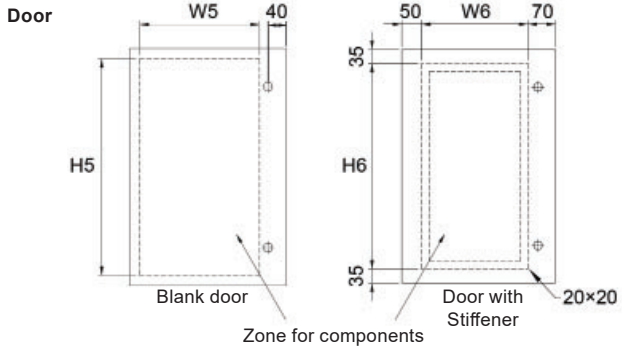
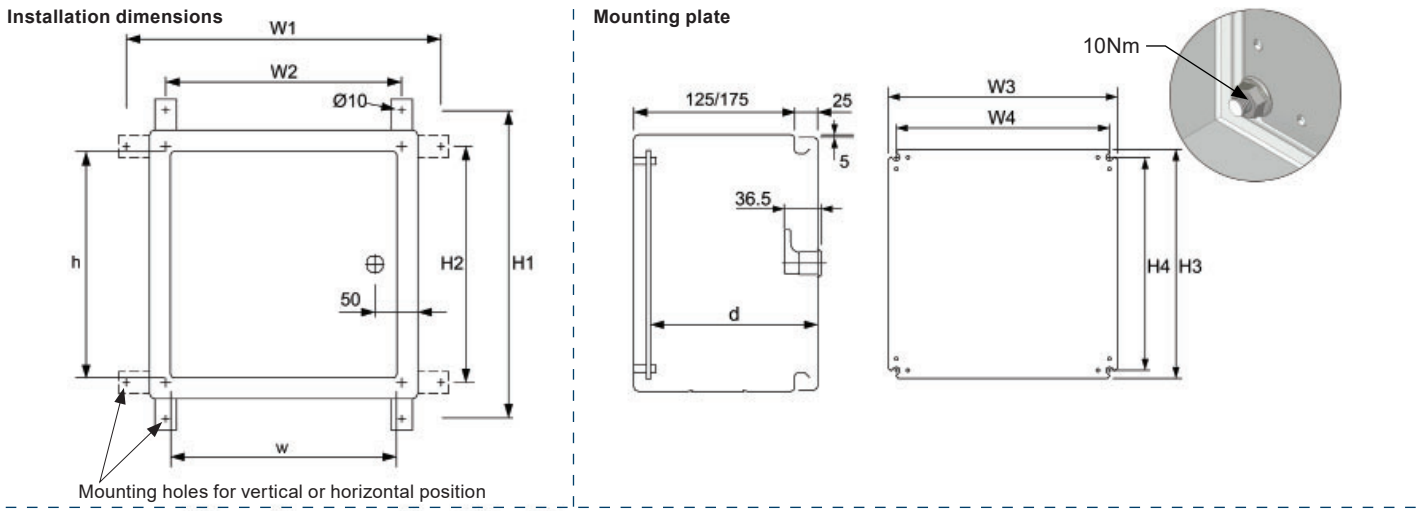


**STAINLESS STEEL BOX ■  
VERSION 1**

CAT. No.	DESCRIPTION	SIZE (W×H×D)	LOCKS	WEIGHT (kg)	ORDER No. AISI 304	ORDER No. AISI 316
USBOX 2.2-150 V1	STAINLESS STEEL BOX UL LISTED	200 × 200 × 150	1	4.56	U60600	U61100
USBOX 2.3-150 V1	STAINLESS STEEL BOX UL LISTED	200 × 300 × 150	1	5.78	U60610	U61110
USBOX 3.3-150 V1	STAINLESS STEEL BOX UL LISTED	300 × 300 × 150	1	7.42	U60630	U61130
USBOX 3.3-200 V1	STAINLESS STEEL BOX UL LISTED	300 × 300 × 200	1	8.16	U60640	U61140
USBOX 3.4-150 V1	STAINLESS STEEL BOX UL LISTED	300 × 400 × 150	2	9.06	U60650	U61150
USBOX 3.4-200 V1	STAINLESS STEEL BOX UL LISTED	300 × 400 × 200	2	10.93	U60660	U61160
USBOX 4.3-150 V1	STAINLESS STEEL BOX UL LISTED	400 × 300 × 150	1	9.06	U60670	U61170
USBOX 4.3-200 V1	STAINLESS STEEL BOX UL LISTED	400 × 300 × 200	1	10.93	U60680	U61180
USBOX 4.4-150 V1	STAINLESS STEEL BOX UL LISTED	400 × 400 × 150	2	11.13	U60690	U61190
USBOX 4.4-200 V1	STAINLESS STEEL BOX UL LISTED	400 × 400 × 200	2	13.13	U60700	U61200
USBOX 4.5-150 V1	STAINLESS STEEL BOX UL LISTED	400 × 500 × 150	2	13.20	U60710	U61210
USBOX 4.5-200 V1	STAINLESS STEEL BOX UL LISTED	400 × 500 × 200	2	15.33	U60720	U61220
USBOX 4.5-250 V1	STAINLESS STEEL BOX UL LISTED	400 × 500 × 250	2	16.12	U60725	U61225
USBOX 4.6-200 V1	STAINLESS STEEL BOX UL LISTED	400 × 600 × 200	2	17.52	U60730	U61230
USBOX 4.6-250 V1	STAINLESS STEEL BOX UL LISTED	400 × 600 × 250	2	18.45	U60735	U61235
USBOX 4.6-300 V1	STAINLESS STEEL BOX UL LISTED	400 × 600 × 300	2	18.59	U60737	U61445
USBOX 5.6-200 V1	STAINLESS STEEL BOX UL LISTED	500 × 600 × 200	2	20.58	U60750	U61250
USBOX 5.7-200 V1	STAINLESS STEEL BOX UL LISTED	500 × 700 × 200	2	23.20	U60760	U61260
USBOX 5.7-250 V1	STAINLESS STEEL BOX UL LISTED	500 × 700 × 250	2	24.18	U60765	U61265
USBOX 6.6-200 V1	STAINLESS STEEL BOX UL LISTED	600 × 600 × 200	2	23.63	U60790	U61290
USBOX 6.6-250 V1	STAINLESS STEEL BOX UL LISTED	600 × 600 × 250	2	23.81	U60795	U61297
USBOX 6.6-300 V1	STAINLESS STEEL BOX UL LISTED	600 × 600 × 300	2	24.35	U60800	U61300
USBOX 6.7-200 V1	STAINLESS STEEL BOX UL LISTED	600 × 700 × 200	2	26.68	U60810	U61310
USBOX 6.8-200 V1	STAINLESS STEEL BOX UL LISTED	600 × 800 × 200	3	29.74	U60820	U61320
USBOX 6.8-250 V1	STAINLESS STEEL BOX UL LISTED	600 × 800 × 250	3	32.73	U60830	U61330
USBOX 6.8-300 V1	STAINLESS STEEL BOX UL LISTED	600 × 800 × 300	3	34.63	U60840	U61340
USBOX 6.10-200 V1	STAINLESS STEEL BOX UL LISTED	600 × 1000 × 200	3	35.84	U60850	U61350
USBOX 6.10-300 V1	STAINLESS STEEL BOX UL LISTED	600 × 1000 × 300	3	35.97	U60845	U61345
USBOX 8.10-200 V1	STAINLESS STEEL BOX UL LISTED	800 × 1000 × 200	3	45.37	U60880	U61380
USBOX 8.10-250 V1	STAINLESS STEEL BOX UL LISTED	800 × 1000 × 250	3	45.32	U60890	U61390
USBOX 8.10-300 V1	STAINLESS STEEL BOX UL LISTED	800 × 1000 × 300	3	47.63	U60900	U61400

Other sizes on request.

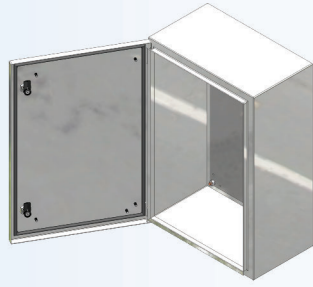




### ORDER INFORMATION

ORDER No.	DESCRIPTION
xxxxx-02	Box with holes for Wall Mounting Brackets
xxxxx-04	Box with Stainless Steel Knob Lock

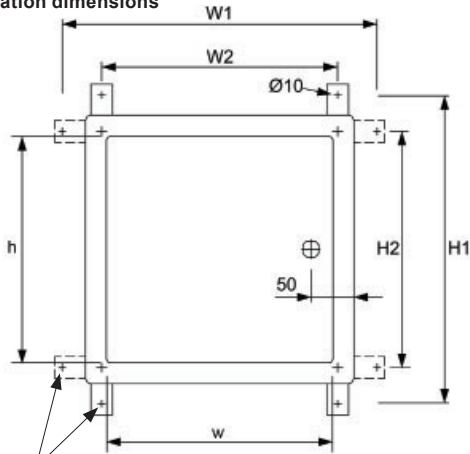
CAT. No.	INSTALLATION DIMENSIONS				INTERNAL DIMENSIONS			MOUNTING PLATE				BLANK DOOR		DOOR WITH STIFFENER	
	W1	W2	H1	H2	w	h	d	W3	W4	H3	H4	W5	H5	W6	H6
USBOX 2.2-150 V1	240	160	240	160	150	150	135	148	125	148	125	100	140	-	-
USBOX 2.3-150 V1	240	160	340	260	150	250	135	148	125	248	225	100	240	-	-
USBOX 3.3-150 V1	340	260	340	260	250	250	135	248	225	248	225	200	240	-	-
USBOX 3.3-200 V1	340	260	340	260	250	250	185	248	225	248	225	200	240	-	-
USBOX 3.4-150 V1	340	260	440	360	250	350	135	248	225	348	325	200	340	-	-
USBOX 3.4-200 V1	340	260	440	360	250	350	185	248	225	348	325	200	340	-	-
USBOX 4.3-150 V1	440	360	340	260	350	250	135	348	325	248	225	300	240	-	-
USBOX 4.3-200 V1	440	360	340	260	350	250	185	348	325	248	225	300	240	-	-
USBOX 4.4-150 V1	440	360	440	360	350	350	135	348	325	348	325	300	340	-	-
USBOX 4.4-200 V1	440	360	440	360	350	350	185	348	325	348	325	300	340	-	-
USBOX 4.5-150 V1	440	360	540	460	350	450	135	348	325	448	425	300	440	-	-
USBOX 4.5-200 V1	440	360	540	460	350	450	185	348	325	448	425	300	440	-	-
USBOX 4.5-250 V1	440	360	540	460	350	450	235	348	325	448	425	300	440	-	-
USBOX 4.6-200 V1	440	360	640	560	350	550	185	348	325	548	525	300	540	-	-
USBOX 4.6-250 V1	440	360	640	560	350	550	235	348	325	548	525	300	540	-	-
USBOX 4.6-300 V1	440	360	640	560	350	550	285	348	325	548	625	300	540	-	-
USBOX 5.6-200 V1	540	460	640	560	450	450	185	448	425	548	525	400	540	-	-
USBOX 5.7-200 V1	540	460	740	660	450	650	185	448	425	648	625	400	640	-	-
USBOX 5.7-250 V1	540	460	740	660	450	650	235	448	425	648	625	400	640	-	-
USBOX 6.4-200 V1	640	560	440	360	550	350	185	548	525	348	325	500	340	-	-
USBOX 6.6-200 V1	640	560	640	560	550	550	185	548	525	548	525	500	540	-	-
USBOX 6.6-250 V1	640	560	640	560	550	550	235	548	525	548	525	500	540	-	-
USBOX 6.6-300 V1	640	560	640	560	550	550	285	548	525	548	525	500	540	-	-
USBOX 6.7-200 V1	640	560	740	660	550	650	185	548	525	648	625	500	640	-	-
USBOX 6.8-200 V1	640	560	840	760	550	750	185	548	525	748	725	500	740	-	-
USBOX 6.8-250 V1	640	560	840	760	550	750	235	548	525	748	725	500	740	-	-
USBOX 6.8-300 V1	640	760	840	760	550	750	285	548	525	748	725	500	740	-	-
USBOX 6.10-200 V1	640	560	1040	960	550	950	185	548	525	948	925	500	940	-	-
USBOX 6.10-300 V1	640	560	1040	960	550	950	285	548	525	948	925	500	940	-	-
USBOX 8.10-200 V1	840	760	1040	960	750	950	185	748	725	948	925	700	940	620	870
USBOX 8.10-250 V1	840	760	1040	960	750	950	235	748	725	948	925	700	940	620	870
USBOX 8.10-300 V1	840	760	1040	960	750	950	285	748	725	948	925	700	940	620	870


**STAINLESS STEEL BOX ■**  
**VERSION 2**
**UL LISTED BOX**

CAT. No.	DESCRIPTION	SIZE (W×H×D)	LOCKS	WEIGHT (kg)	ORDER No. AISI 304	ORDER No. AISI 316
USBOX 2.2-150 V2	STAINLESS STEEL BOX UL LISTED	200 × 200 × 150	1	4.56	U63500	U64000
USBOX 2.3-150 V2	STAINLESS STEEL BOX UL LISTED	200 × 300 × 150	1	5.78	U63505	U64005
USBOX 2.5.3-150 V2	STAINLESS STEEL BOX UL LISTED	250 × 300 × 150	1	6.60	U63510	U64010
USBOX 3.3-150 V2	STAINLESS STEEL BOX UL LISTED	300 × 300 × 150	1	7.42	U63515	U64015
USBOX 3.3-200 V2	STAINLESS STEEL BOX UL LISTED	300 × 300 × 200	1	8.16	U63520	U64020
USBOX 3.4-150 V2	STAINLESS STEEL BOX UL LISTED	300 × 400 × 150	2	9.06	U63525	U64025
USBOX 3.4-200 V2	STAINLESS STEEL BOX UL LISTED	300 × 400 × 200	2	10.93	U63630	U64030
USBOX 4.3-150 V2	STAINLESS STEEL BOX UL LISTED	400 × 300 × 150	1	9.06	U63545	U64045
USBOX 4.3-200 V2	STAINLESS STEEL BOX UL LISTED	400 × 300 × 200	1	10.93	U63550	U64050
USBOX 4.4-150 V2	STAINLESS STEEL BOX UL LISTED	400 × 400 × 150	2	11.13	U63555	U64055
USBOX 4.4-200 V2	STAINLESS STEEL BOX UL LISTED	400 × 400 × 200	2	13.13	U63560	U64060
USBOX 4.5-150 V2	STAINLESS STEEL BOX UL LISTED	400 × 500 × 150	2	13.20	U63570	U64070
USBOX 4.5-200 V2	STAINLESS STEEL BOX UL LISTED	400 × 500 × 200	2	15.33	U63575	U64075
USBOX 4.5-250 V2	STAINLESS STEEL BOX UL LISTED	400 × 500 × 250	2	16.12	U63580	U64080
USBOX 4.6-200 V2	STAINLESS STEEL BOX UL LISTED	400 × 600 × 200	2	17.52	U63585	U64085
USBOX 4.6-250 V2	STAINLESS STEEL BOX UL LISTED	400 × 600 × 250	2	18.45	U63590	U64090
USBOX 4.6-300 V2	STAINLESS STEEL BOX UL LISTED	400 × 600 × 300	2	18.59	U63595	U64095
USBOX 4.7-200 V2	STAINLESS STEEL BOX UL LISTED	400 × 700 × 200	2	19.72	U63600	U64100
USBOX 5.4-200 V2	STAINLESS STEEL BOX UL LISTED	500 × 400 × 200	2	19.12	U63650	U64150
USBOX 5.5-200 V2	STAINLESS STEEL BOX UL LISTED	500 × 500 × 200	2	19.16	U63655	U64155
USBOX 5.5-250 V2	STAINLESS STEEL BOX UL LISTED	500 × 500 × 250	2	20.23	U63656	U64156
USBOX 5.6-200 V2	STAINLESS STEEL BOX UL LISTED	500 × 600 × 200	2	20.58	U63660	U64160
USBOX 5.7-200 V2	STAINLESS STEEL BOX UL LISTED	500 × 700 × 200	2	23.20	U63665	U64165
USBOX 5.7-250 V2	STAINLESS STEEL BOX UL LISTED	500 × 700 × 250	2	24.18	U63670	U64170

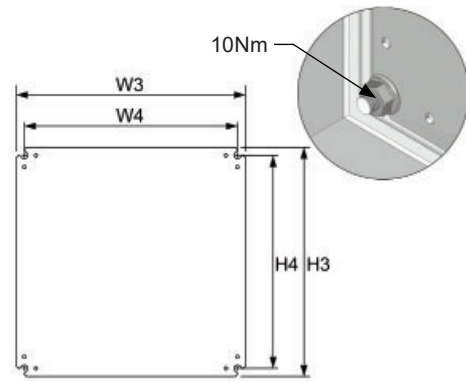
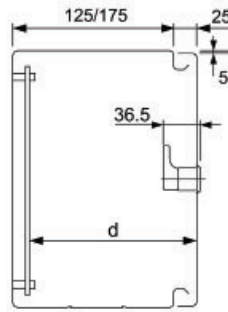
Other sizes on request.

### Installation dimensions

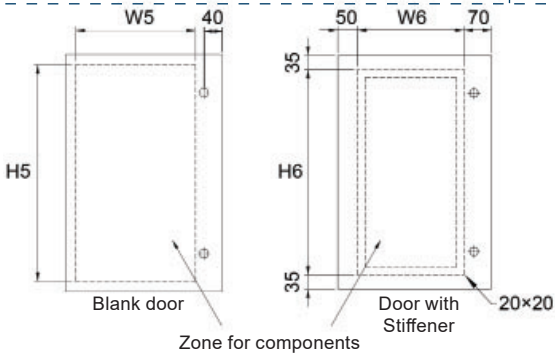


Mounting holes for vertical or horizontal position

### Mounting plate



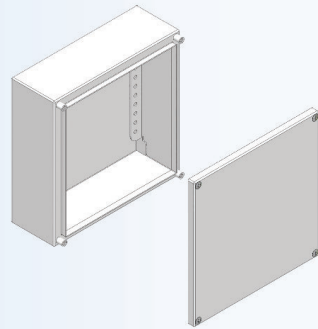
### Door



### ORDER INFORMATION

ORDER No.	DESCRIPTION
xxxx-02	Box with holes for Wall Mounting Brackets
xxxx-04	Box with Stainless Steel Knob Lock

CAT. No.	INSTALLATION DIMENSIONS				INTERNAL DIMENSIONS			MOUNTING PLATE				BLANK DOOR	
	W1	W2	H1	H2	w	h	d	W3	W4	H3	H4	W5	H5
USBOX 2.2-150 V2	240	160	240	160	150	150	135	148	125	148	125	100	140
USBOX 2.3-150 V2	240	160	340	260	150	250	135	148	125	248	225	100	240
USBOX 2.5.3-150 V2	290	210	340	260	200	250	135	198	175	248	225	150	240
USBOX 3.3-150 V2	340	260	340	260	250	250	135	248	225	248	225	200	240
USBOX 3.3-200 V2	340	260	340	260	250	250	185	248	225	248	225	200	240
USBOX 3.4-150 V2	340	260	440	360	250	350	135	248	225	348	325	200	340
USBOX 3.4-200 V2	340	260	440	360	250	350	185	248	225	348	325	200	340
USBOX 4.3-150 V2	440	360	340	260	350	250	135	348	325	248	225	300	240
USBOX 4.3-200 V2	440	360	340	260	350	250	185	348	325	248	225	300	240
USBOX 4.4-150 V2	440	360	440	360	350	350	135	348	325	348	325	300	340
USBOX 4.4-200 V2	440	360	440	360	350	350	185	348	325	348	325	300	340
USBOX 4.5-150 V2	440	360	540	460	350	450	135	348	325	448	425	300	440
USBOX 4.5-200 V2	440	360	540	460	350	450	185	348	325	448	425	300	440
USBOX 4.5-250 V2	440	360	540	460	350	450	235	348	325	448	425	300	440
USBOX 4.6-200 V2	440	360	640	560	350	550	185	348	325	548	525	300	540
USBOX 4.6-250 V2	440	360	640	560	350	550	235	348	325	548	525	300	540
USBOX 4.6-300 V2	440	360	640	560	350	550	285	348	325	548	525	300	540
USBOX 4.7-200 V2	440	360	740	660	350	650	185	348	325	648	625	300	640
USBOX 5.4-200 V2	540	460	440	360	450	350	185	448	325	348	325	400	340
USBOX 5.5-200 V2	540	460	540	460	450	450	185	448	425	448	425	400	440
USBOX 5.5-250 V2	540	460	540	460	450	450	235	448	425	448	425	400	440
USBOX 5.6-200 V2	540	460	640	560	450	450	185	448	425	548	525	400	540
USBOX 5.7-200 V2	540	460	740	660	450	650	185	448	425	648	625	400	640
USBOX 5.7-250 V2	540	460	740	660	450	650	235	448	425	648	625	400	640



**MILD STEEL TERMINAL BOX ■  
VERSION 2**

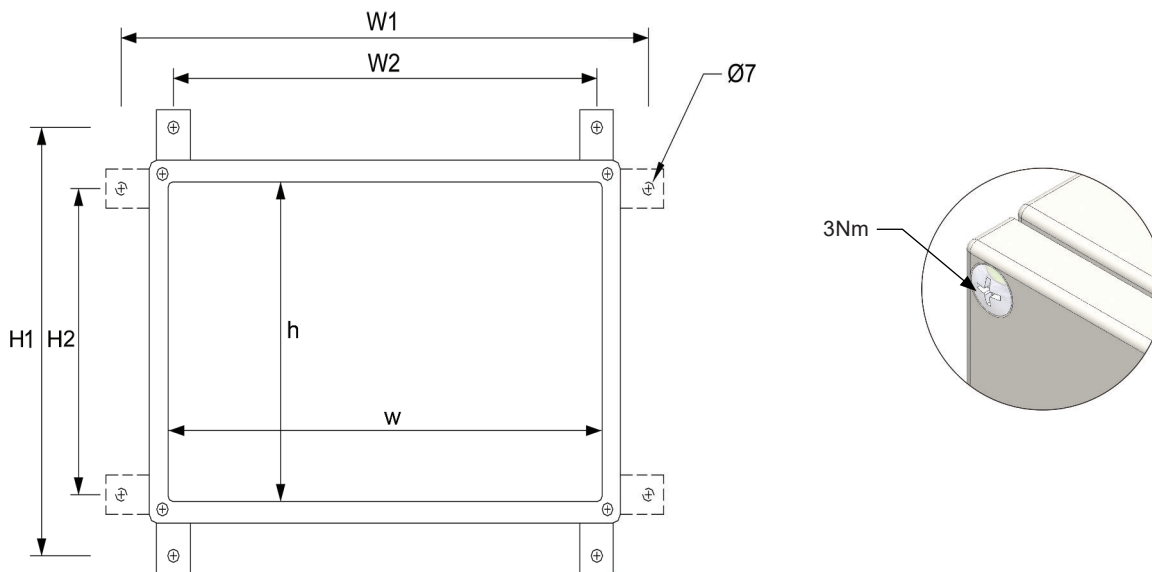
UL LISTED BOX

CAT. No.	DESCRIPTION	SIZE (W×H×D)	WEIGHT (kg)	VERSION 2 ORDER No. RAL7035 FTF.
UTNB 1.5.1,5-80 V2	MILD STEEL TERMINAL BOX UL LISTED	150 × 150 × 80	1.39	U70700
UTNB 1.5.1,5-120 V2	MILD STEEL TERMINAL BOX UL LISTED	150 × 150 × 120	1.98	U70740
UTNB 1.75.1,75-120 V2	MILD STEEL TERMINAL BOX UL LISTED	175 × 175 × 120	2.30	U70750
UTNB 2.2-80 V2	MILD STEEL TERMINAL BOX UL LISTED	200 × 200 × 80	1.98	U70715
UTNB 2.2-120 V2	MILD STEEL TERMINAL BOX UL LISTED	200 × 200 × 120	2.65	U70760
UTNB 3.1,5-80 V2	MILD STEEL TERMINAL BOX UL LISTED	300 × 150 × 80	2.14	U70710
UTNB 3.1,5-120 V2	MILD STEEL TERMINAL BOX UL LISTED	300 × 150 × 120	2.84	U70755
UTNB 3.2-80 V2	MILD STEEL TERMINAL BOX UL LISTED	300 × 200 × 80	2.57	U70725
UTNB 3.2-120 V2	MILD STEEL TERMINAL BOX UL LISTED	300 × 200 × 120	3.32	U70770
UTNB 3.3-120 V2	MILD STEEL TERMINAL BOX UL LISTED	300 × 300 × 120	4.24	U70780
UTNB 4.2-120 V2	MILD STEEL TERMINAL BOX UL LISTED	400 × 200 × 120	4.00	U70775

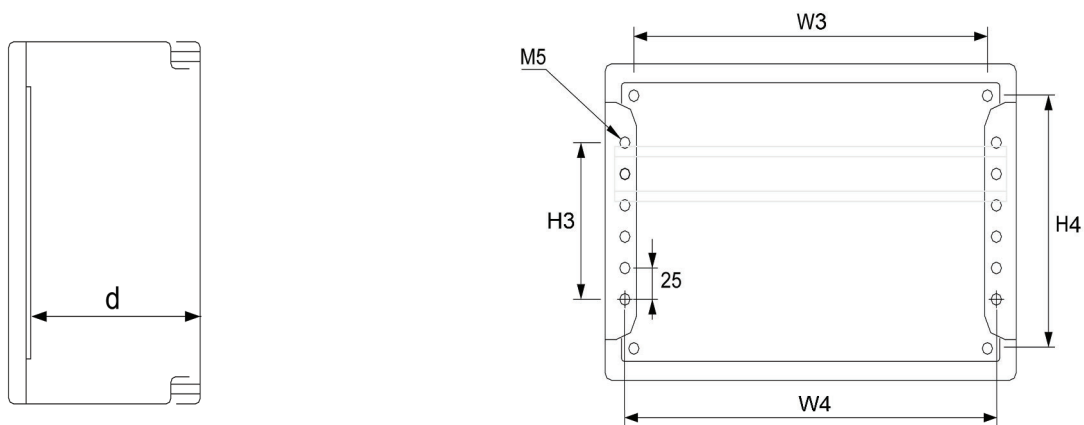
Other sizes on request.



Installation dimensions



Mounting rail



CAT. No.	INSTALLATION DIMENSIONS				INTERNAL DIMENSIONS			MOUNTING RAIL				
	W1	W2	H1	H2	w	h	d	W3	W4	H3	H4	NO. OF HOLES
UTNB 1,5.1,5-80 V2	190	110	190	110	125	125	67	110	125	75	110	7
UTNB 1,5.1,5-120 V2	190	110	190	110	125	125	107	110	125	75	110	7
UTNB 1,75.1,75-120 V2	215	135	215	135	150	150	107	135	150	100	135	9
UTNB 2.2-80 V2	240	160	240	160	175	175	67	160	175	125	160	11
UTNB 2.2-120 V2	240	160	240	160	175	175	107	160	175	125	160	11
UTNB 3.1,5-80 V2	340	260	190	110	275	125	67	260	275	75	110	7
UTNB 3.1,5-120 V2	340	260	190	110	275	125	107	260	275	75	110	7
UTNB 3.2-80 V2	340	260	240	160	275	175	67	260	275	125	160	11
UTNB 3.2-120 V2	340	260	240	160	275	175	107	260	275	125	160	11
UTNB 3.3-120 V2	340	260	340	260	275	275	107	260	275	225	260	19
UTNB 4.2-120 V2	440	360	240	160	375	175	107	360	375	125	160	11

UL LISTED BOX

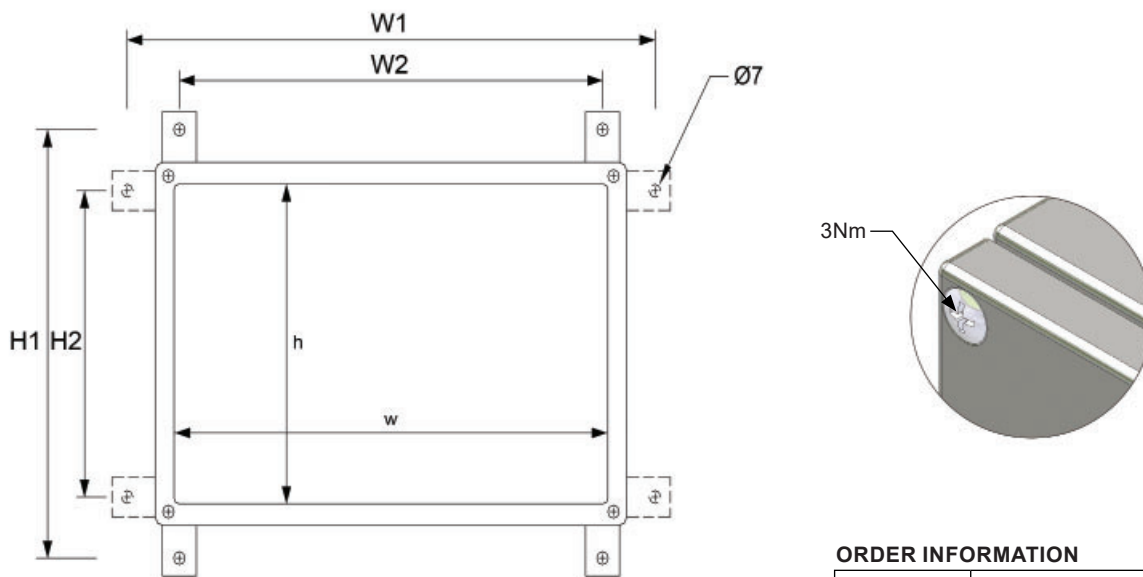


**STAINLESS STEEL ■  
TERMINAL BOX  
VERSION 1**

CAT. No.	DESCRIPTION	SIZE (W×H×D)	WEIGHT kg	VERSION 1	
				ORDER No. AISI 304	ORDER No. AISI 316
USTNB 1,5.1,5-80 V1	STAINLESS STEEL TERMINAL BOX UL LISTED	150 × 150 × 80	1.71	U71700	U71850
USTNB 1,5.1,5-120 V1	STAINLESS STEEL TERMINAL BOX UL LISTED	150 × 150 × 120	2.44	U71740	U71890
USTNB 1,75.1,75-120 V1	STAINLESS STEEL TERMINAL BOX UL LISTED	175 × 175 × 120	2.00	U71750	U71900
USTNB 2.2-80 V1	STAINLESS STEEL TERMINAL BOX UL LISTED	200 × 200 × 80	2.43	U71720	U71870
USTNB 2.2-120 V1	STAINLESS STEEL TERMINAL BOX UL LISTED	200 × 200 × 120	3.26	U71770	U71920
USTNB 3.1,5-80 V1	STAINLESS STEEL TERMINAL BOX UL LISTED	300 × 150 × 80	2.63	U71710	U71860
USTNB 3.1,5-120 V1	STAINLESS STEEL TERMINAL BOX UL LISTED	300 × 150 × 120	3.52	U71760	U71910
USTNB 3.2-80 V1	STAINLESS STEEL TERMINAL BOX UL LISTED	300 × 200 × 80	3.17	U71730	U71880
USTNB 3.2-120 V1	STAINLESS STEEL TERMINAL BOX UL LISTED	300 × 200 × 120	4.11	U71780	U71930
USTNB 3.2-200 V1	STAINLESS STEEL TERMINAL BOX UL LISTED	300 × 200 × 200	5.04	U71797	U71949
USTNB 3.3-120 V1	STAINLESS STEEL TERMINAL BOX UL LISTED	300 × 300 × 120	5.26	U71800	U71950
USTNB 3.3-200 V1	STAINLESS STEEL TERMINAL BOX UL LISTED	300 × 300 × 200	5.39	U71798	U71948
USTNB 4.2-120 V1	STAINLESS STEEL TERMINAL BOX UL LISTED	400 × 200 × 120	4.96	U71790	U71940
USTNB 4.2-200 V1	STAINLESS STEEL TERMINAL BOX UL LISTED	400 × 200 × 200	5.41	U71799	U71949

Other sizes on request.

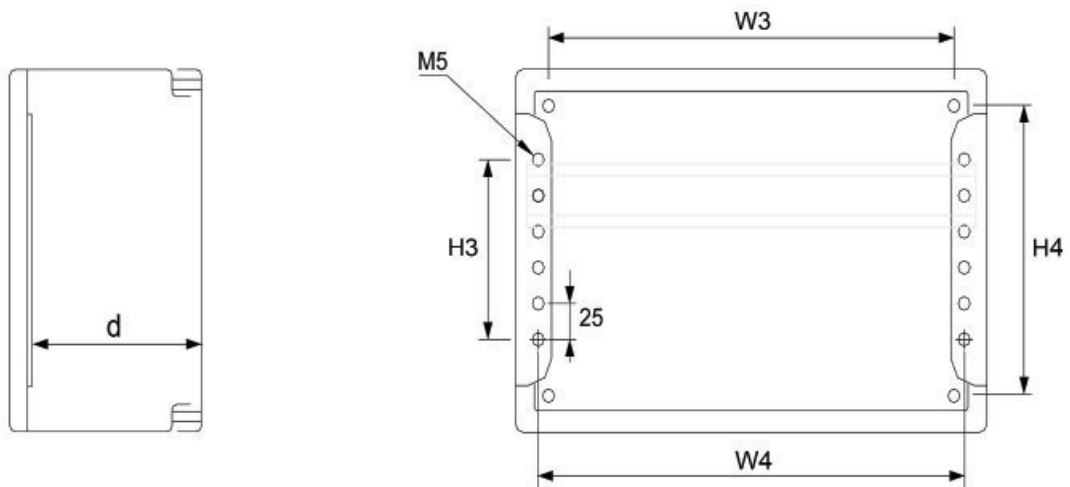
Installation dimensions



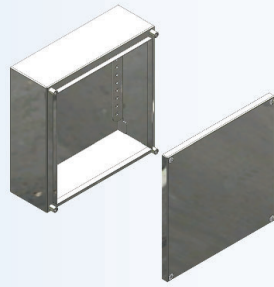
**ORDER INFORMATION**

ORDER No.	DESCRIPTION
xxxx-02	Box with holes for Wall Mounting Brackets

Mounting rail



CAT. No.	INSTALLATION DIMENSIONS				INTERNAL DIMENSIONS			MOUNTING RAIL				NO. OF HOLES
	W1	W2	H1	H2	w	h	d	W3	W4	H3	H4	
USTNB 1,5.1,5-80 V1	190	110	190	110	125	125	67	110	125	75	110	7
USTNB 1,5.1,5-120 V1	190	110	190	110	125	125	107	110	125	75	110	7
USTNB 1,75.1,75-120 V1	215	135	215	135	150	150	107	135	150	100	135	9
USTNB 2.2-80 V1	240	160	240	160	175	175	67	160	175	125	160	11
USTNB 2.2-120 V1	240	160	240	160	175	175	107	160	175	125	160	11
USTNB 3.1,5-80 V1	340	260	190	110	275	125	67	260	275	75	110	7
USTNB 3.1,5-120 V1	340	260	190	110	275	125	107	260	275	75	110	7
USTNB 3.2-80 V1	340	260	240	160	275	175	67	260	275	125	160	11
USTNB 3.2-120 V1	340	260	240	160	275	175	107	260	275	125	160	11
USTNB 3.2-200 V1	340	260	240	160	275	175	187	260	275	125	160	11
USTNB 3.3-120 V1	340	260	340	260	275	275	107	260	275	225	260	19
USTNB 3.3-200 V1	340	260	340	260	275	275	187	260	275	225	260	19
USTNB 4.2-120 V1	440	360	240	160	375	175	107	360	375	125	160	11
USTNB 4.2-200 V1	440	360	240	160	375	175	187	360	375	125	160	11



**STAINLESS STEEL ■  
TERMINAL BOX  
VERSION 2**

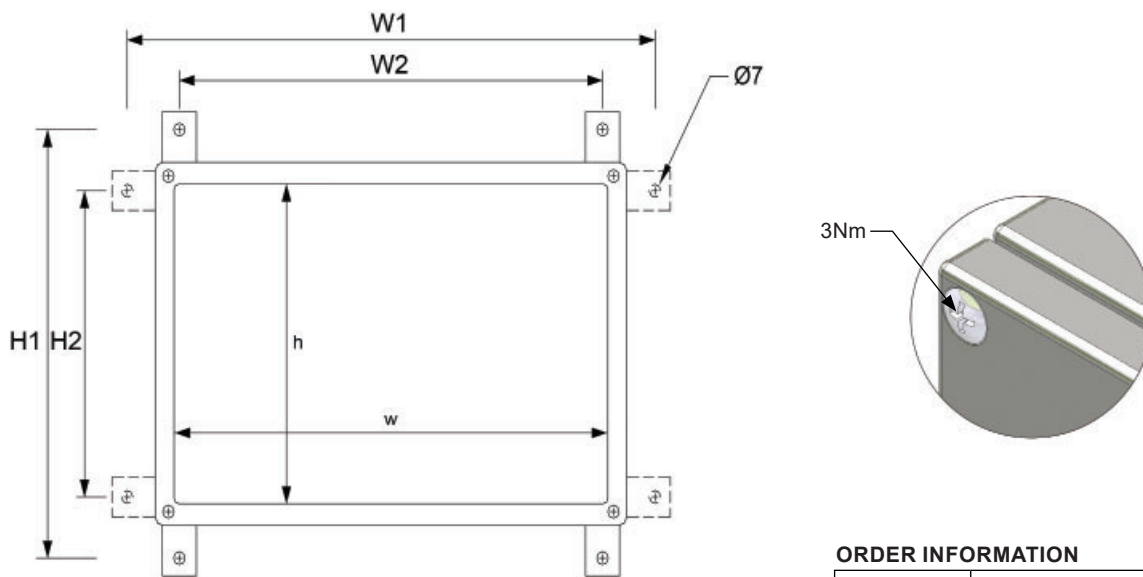
UL LISTED BOX

CAT. No.	DESCRIPTION	SIZE (W×H×D)	WEIGHT kg	VERSION 2	
				ORDER No. AISI 304	ORDER No. AISI 316
USTNB 1,5.1,5-80 V2	STAINLESS STEEL TERMINAL BOX UL LISTED	150 × 150 × 80	1.71	U72000	U72100
USTNB 1,5.1,5-120 V2	STAINLESS STEEL TERMINAL BOX UL LISTED	150 × 150 × 120	2.44	U72030	U72130
USTNB 1,75.1,75-120 V2	STAINLESS STEEL TERMINAL BOX UL LISTED	175 × 175 × 120	2.00	U72035	U72135
USTNB 2.2-80 V2	STAINLESS STEEL TERMINAL BOX UL LISTED	200 × 200 × 80	2.43	U72010	U72110
USTNB 2.2-120 V2	STAINLESS STEEL TERMINAL BOX UL LISTED	200 × 200 × 120	3.26	U72045	U72145
USTNB 3.1,5-80 V2	STAINLESS STEEL TERMINAL BOX UL LISTED	300 × 150 × 80	2.63	U72005	U72105
USTNB 3.1,5-120 V2	STAINLESS STEEL TERMINAL BOX UL LISTED	300 × 150 × 120	3.52	U72040	U72140
USTNB 3.2-80 V2	STAINLESS STEEL TERMINAL BOX UL LISTED	300 × 200 × 80	3.17	U72015	U72115
USTNB 3.2-120 V2	STAINLESS STEEL TERMINAL BOX UL LISTED	300 × 200 × 120	4.11	U72050	U72150
USTNB 3.3-120 V2	STAINLESS STEEL TERMINAL BOX UL LISTED	300 × 300 × 120	5.26	U72060	U72160
USTNB 4.2-120 V2	STAINLESS STEEL TERMINAL BOX UL LISTED	400 × 200 × 120	4.96	U72055	U72155

Other sizes on request.



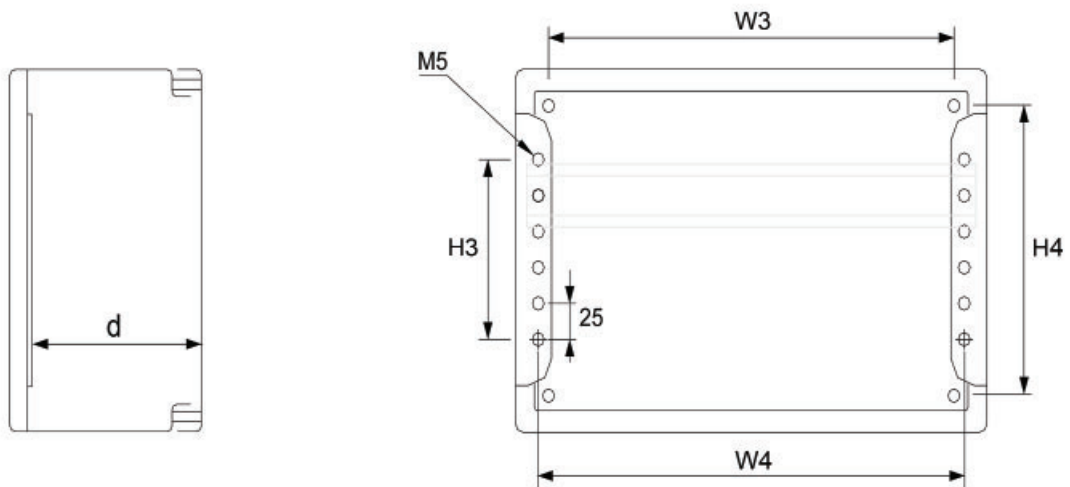
Installation dimensions




**ORDER INFORMATION**

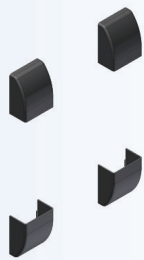
ORDER No.	DESCRIPTION
xxxx-02	Box with holes for Wall Mounting Brackets



Mounting rail

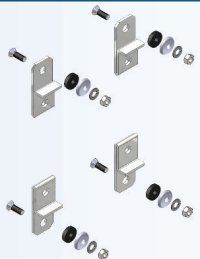




CAT No.	INSTALLATION DIMENSIONS				INTERNAL DIMENSIONS			MOUNTING RAIL				
	W1	W2	H1	H2	w	h	d	W3	W4	H3	H4	NO. OF HOLES
USTNB 1,5.1,5-80 V2	190	110	190	110	125	125	67	110	125	75	110	7
USTNB 1,5.1,5-120 V2	190	110	190	110	125	125	107	110	125	75	110	7
USTNB 1,75.1,75-120 V2	215	135	215	135	150	150	107	135	150	100	135	9
USTNB 2.2-80 V2	240	160	240	160	175	175	67	160	175	125	160	11
USTNB 2.2-120 V2	240	160	240	160	175	175	107	160	175	125	160	11
USTNB 3.1,5-80 V2	340	260	190	110	275	125	67	260	275	75	110	7
USTNB 3.1,5-120 V2	340	260	190	110	275	125	107	260	275	75	110	7
USTNB 3.2-80 V2	340	260	240	160	275	175	67	260	275	125	160	11
USTNB 3.2-120 V2	340	260	240	160	275	175	107	260	275	125	160	11
USTNB 3.3-120 V2	340	260	340	260	275	275	107	260	275	225	260	19
USTNB 4.2-120 V2	440	360	240	160	375	175	107	360	375	125	160	11

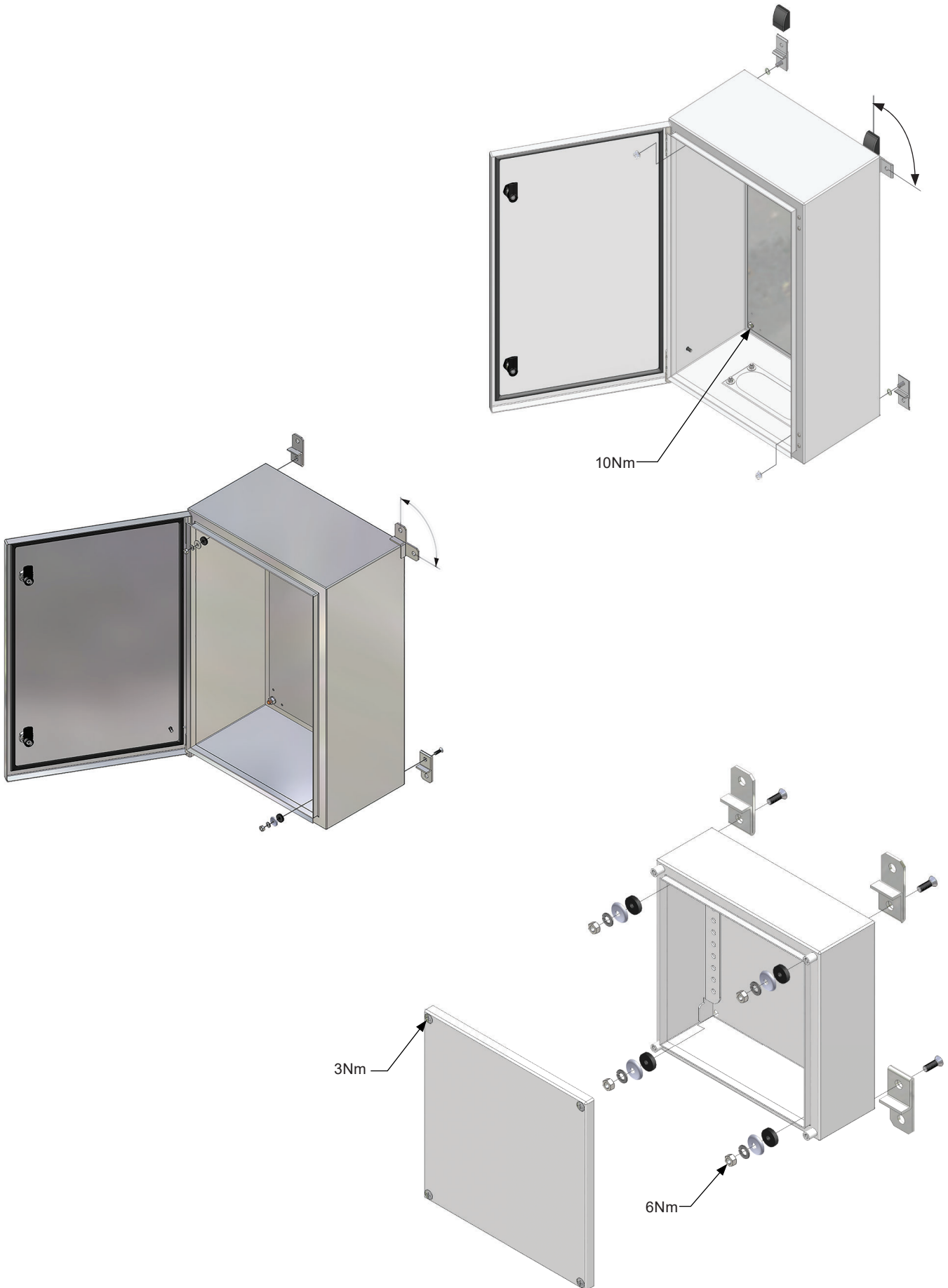
		<b>WALL MOUNTING BRACKETS</b> ■	
CAT. No.	DESCRIPTION	WEIGHT (kg)	ORDER No. Aluminium
UBWB	WALL MOUNTING BRACKETS (MILD STEEL BOX)	0.40	U50594

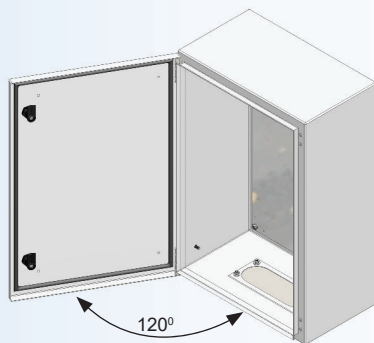
		<b>WALL MOUNTING BRACKET COVERS</b> ■	
CAT. No.	DESCRIPTION	WEIGHT (kg)	ORDER No.
UWBC	WALL MOUNTING BRACKET COVERS (MILD STEEL BOX)	0.1	U50595

		<b>WALL MOUNTING BRACKETS</b> ■	
			
	USWB	UHCK 1	
CAT. No.	DESCRIPTION	ORDER No. AISI 304	ORDER No. AISI 316
USWB	WALL MOUNTING BRACKETS (STAINLESS STEEL BOX)	U60290	U60590
UHCK 1	HOLE COVERING KIT (STAINLESS STEEL BOX)	U60291	U60291

		<b>WALL MOUNTING BRACKETS</b> ■	
CAT. No.	DESCRIPTION	WEIGHT (kg)	ORDER No. Aluminium
UTWB	WALL MOUNTING BRACKETS (MILD STEEL TERMINAL BOX)	0.16	U70150

		<b>WALL MOUNTING BRACKETS</b> ■	
			
	USSWB	UHCK 2	
CAT. No.	DESCRIPTION	ORDER No. AISI 304	ORDER No. AISI 316
USSWB	WALL MOUNTING BRACKETS (STAINLESS STEEL TERMINAL BOX)	U70350	U70550
UHCK 2	HOLE COVERING KIT (STAINLESS STEEL TERMINAL BOX)	U60292	U60292





**MILD STEEL BOX ■**  
**SINGLE DOOR**  
**STANDARD GLAND**  
**VERSION 1**

CSA LISTED BOX

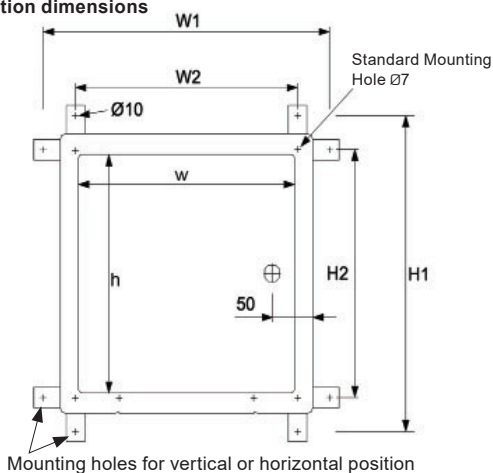
CAT. No.	DESCRIPTION	SIZE (W×H×D)	LOCKS	WEIGHT (kg)	ORDER No. RAL 7035 FTF.
CBOX 2.2-150 V1	MILD STEEL BOX CSA LISTED	200 × 200 × 150	1	2.91	C53000
CBOX 2.2,5-150 V1	MILD STEEL BOX CSA LISTED	200 × 250 × 150	1	3.38	C53700
CBOX 2.3-150 V1	MILD STEEL BOX CSA LISTED	200 × 300 × 150	1	3.97	C53010
CBOX 2.3-200 V1	MILD STEEL BOX CSA LISTED	200 × 300 × 200	1	4.11	C53710
CBOX 2,5.2-150 V1	MILD STEEL BOX CSA LISTED	250 × 200 × 150	1	4.36	C53760
CBOX 2,5.3-150 V1	MILD STEEL BOX CSA LISTED	250 × 300 × 150	1	4.92	C53020
CBOX 2,5.3-200 V1	MILD STEEL BOX CSA LISTED	250 × 300 × 200	1	4.98	C53770
CBOX 2,5.3-250 V1	MILD STEEL BOX CSA LISTED	250 × 300 × 250	1	5.27	C53780
CBOX 3.3-150 V1	MILD STEEL BOX CSA LISTED	300 × 300 × 150	1	5.63	C53030
CBOX 3.3-175 V1	MILD STEEL BOX CSA LISTED	300 × 300 × 175	1	5.94	C53040
CBOX 3.3-200 V1	MILD STEEL BOX CSA LISTED	300 × 300 × 200	1	6.24	C53050
CBOX 3.4-150 V1	MILD STEEL BOX CSA LISTED	300 × 400 × 150	2	7.06	C53060
CBOX 3.4-175 V1	MILD STEEL BOX CSA LISTED	300 × 400 × 175	2	7.41	C53070
CBOX 3.4-200 V1	MILD STEEL BOX CSA LISTED	300 × 400 × 200	2	7.77	C53080
CBOX 3.4-250 V1	MILD STEEL BOX CSA LISTED	300 × 400 × 250	2	7.98	C53830
CBOX 3.5-150 V1	MILD STEEL BOX CSA LISTED	300 × 500 × 150	2	8.09	C53840
CBOX 3.5-200 V1	MILD STEEL BOX CSA LISTED	300 × 500 × 200	2	8.21	C53850
CBOX 3.5-250 V1	MILD STEEL BOX CSA LISTED	300 × 500 × 250	2	5.36	C53090
CBOX 4.3-150 V1	MILD STEEL BOX CSA LISTED	400 × 300 × 150	1	7.06	C53100
CBOX 4.3-175 V1	MILD STEEL BOX CSA LISTED	400 × 300 × 175	1	7.41	C53110
CBOX 4.3-200 V1	MILD STEEL BOX CSA LISTED	400 × 300 × 200	1	7.77	C53120
CBOX 4.4-150 V1	MILD STEEL BOX CSA LISTED	400 × 400 × 150	2	8.86	C53130
CBOX 4.4-175 V1	MILD STEEL BOX CSA LISTED	400 × 400 × 175	2	9.27	C53140
CBOX 4.4-200 V1	MILD STEEL BOX CSA LISTED	400 × 400 × 200	2	9.67	C53150
CBOX 4.5-150 V1	MILD STEEL BOX CSA LISTED	400 × 500 × 150	2	10.66	C53160
CBOX 4.5-175 V1	MILD STEEL BOX CSA LISTED	400 × 500 × 175	2	11.12	C53170
CBOX 4.5-200 V1	MILD STEEL BOX CSA LISTED	400 × 500 × 200	2	11.57	C53180
CBOX 4.5-250 V1	MILD STEEL BOX CSA LISTED	400 × 500 × 250	2	13.77	C53190
CBOX 4.5-300 V1	MILD STEEL BOX CSA LISTED	400 × 500 × 300	2	13.91	C53900
CBOX 4.6-150 V1	MILD STEEL BOX CSA LISTED	400 × 600 × 150	2	14.03	C53910
CBOX 4.6-175 V1	MILD STEEL BOX CSA LISTED	400 × 600 × 175	2	14.41	C53920
CBOX 4.6-200 V1	MILD STEEL BOX CSA LISTED	400 × 600 × 200	2	17.81	C53200
CBOX 4.6-250 V1	MILD STEEL BOX CSA LISTED	400 × 600 × 250	2	17.13	C53210
CBOX 4.6-300 V1	MILD STEEL BOX CSA LISTED	400 × 600 × 300	2	17.48	C53930
CBOX 4.7-150 V1	MILD STEEL BOX CSA LISTED	400 × 700 × 150	2	17.62	C53940
CBOX 4.7-175 V1	MILD STEEL BOX CSA LISTED	400 × 700 × 175	2	17.81	C53925
CBOX 4.7-200 V1	MILD STEEL BOX CSA LISTED	400 × 700 × 200	2	18.09	C53220
CBOX 4.8-200 V1	MILD STEEL BOX CSA LISTED	400 × 800 × 200	3	18.31	C53960
CBOX 4.10-200 V1	MILD STEEL BOX CSA LISTED	400 × 1000 × 200	3	18.72	C53970
CBOX 4.10-250 V1	MILD STEEL BOX CSA LISTED	400 × 1000 × 250	3	18.79	C53980
CBOX 4.10-300 V1	MILD STEEL BOX CSA LISTED	400 × 1000 × 300	3	18.97	C53990

Continued..

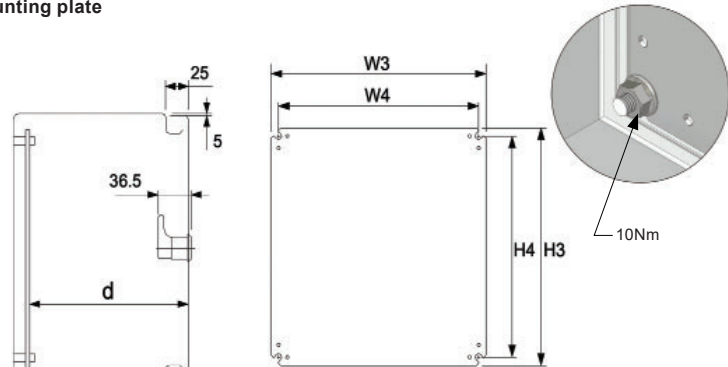
Other sizes on request.



Installation dimensions



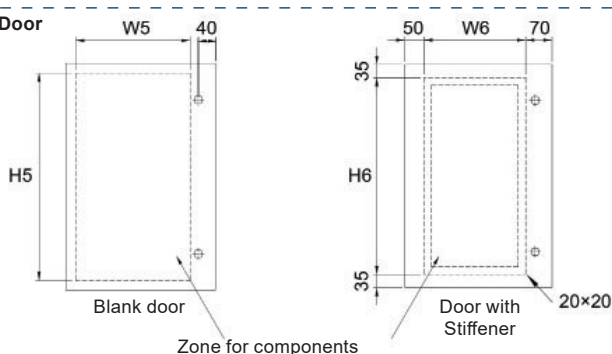
Mounting plate



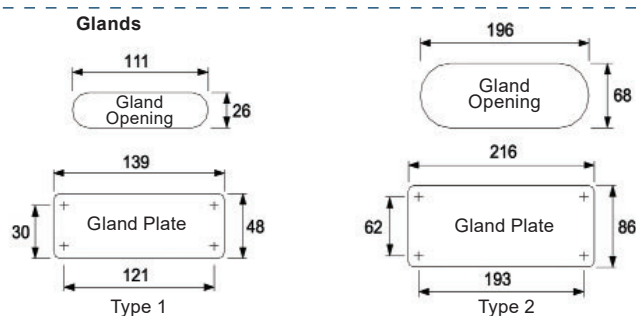
ORDER INFORMATION

ORDER No.	DESCRIPTION
xxxxx-01	Box with Steel Locks
xxxxx-03	Box with Plastic Knob Locks

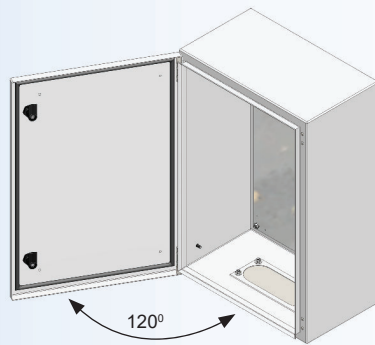
Door



Glands



CAT. No.	INSTALLATION DIMENSIONS				INTERNAL DIMENSIONS			MOUNTING PLATE				BLANK DOOR		DOOR WITH STIFFENER		TYPE OF GLAND	NO. OF GLANDS
	W1	W2	H1	H2	w	h	d	W3	W4	H3	H4	W5	H5	W6	H6		
CBOX 2.2-150 V1	240	160	240	160	150	150	135	148	125	148	125	100	140	-	-	1	1
CBOX 2.2-150 V1	240	160	290	210	150	200	135	148	125	148	175	100	190	-	-	1	1
CBOX 2.3-150 V1	240	160	340	260	150	250	135	148	125	248	225	100	240	-	-	1	1
CBOX 2.3-200 V1	240	160	340	260	150	250	185	148	125	248	225	100	240	-	-	1	1
CBOX 2.5-2-150 V1	290	210	240	160	200	150	135	198	175	148	125	190	100	-	-	1	1
CBOX 2.5-3-150 V1	290	210	340	260	200	250	135	198	175	248	225	150	240	-	-	2	1
CBOX 2.5-3-200 V1	290	210	340	260	200	250	185	198	175	248	225	150	240	-	-	2	1
CBOX 2.5-3-250 V1	290	210	340	260	200	250	235	198	175	248	225	150	240	-	-	2	1
CBOX 3.3-150 V1	340	260	340	260	250	250	135	248	225	248	225	200	240	-	-	2	1
CBOX 3.3-175 V1	340	260	340	260	250	250	160	248	225	248	225	200	240	-	-	2	1
CBOX 3.3-200 V1	340	260	340	260	250	250	185	248	225	248	225	200	240	-	-	2	1
CBOX 3.4-150 V1	340	260	440	360	250	350	135	248	225	348	325	200	340	-	-	2	1
CBOX 3.4-175 V1	340	260	440	360	250	350	160	248	225	348	325	200	340	-	-	2	1
CBOX 3.4-200 V1	340	260	440	360	250	350	185	248	225	348	325	200	340	-	-	2	1
CBOX 3.4-250 V1	340	260	440	360	250	350	235	248	225	348	325	200	340	-	-	2	1
CBOX 3.5-150 V1	340	260	440	460	250	450	135	248	225	348	325	200	340	-	-	2	1
CBOX 3.5-200 V1	340	260	540	460	250	450	185	248	225	448	425	200	440	-	-	2	1
CBOX 3.5-250 V1	340	260	540	460	250	450	235	248	225	448	425	200	440	-	-	2	1
CBOX 4.3-150 V1	440	360	340	260	350	250	135	348	325	248	225	300	240	-	-	2	1
CBOX 4.3-175 V1	440	360	340	260	350	250	160	348	325	248	225	300	240	-	-	2	1
CBOX 4.3-200 V1	440	360	340	260	350	250	185	348	325	248	225	300	240	-	-	2	1
CBOX 4.4-150 V1	440	360	440	360	350	350	135	348	325	348	325	300	340	-	-	2	1
CBOX 4.4-175 V1	440	360	440	360	350	350	160	348	325	348	325	300	340	-	-	2	1
CBOX 4.4-200 V1	440	360	440	360	350	350	185	348	325	348	325	300	340	-	-	2	1
CBOX 4.5-150 V1	440	360	540	460	350	450	135	348	325	448	425	300	440	-	-	2	1
CBOX 4.5-175 V1	440	360	540	460	350	450	160	348	325	448	425	300	440	-	-	2	1
CBOX 4.5-200 V1	440	360	540	460	350	450	185	348	325	448	425	300	440	-	-	2	1
CBOX 4.5-250 V1	440	360	540	460	350	450	235	348	325	448	425	300	440	-	-	2	1
CBOX 4.5-300 V1	440	360	540	460	350	450	285	348	325	448	425	300	440	-	-	2	1
CBOX 4.6-150 V1	440	360	540	460	350	450	135	348	325	448	425	300	440	-	-	2	1
CBOX 4.6-175 V1	440	360	640	560	350	550	160	348	325	448	425	300	440	-	-	2	1
CBOX 4.6-200 V1	440	360	640	560	350	550	185	348	325	548	525	300	540	-	-	2	1
CBOX 4.6-250 V1	440	360	640	560	350	550	235	348	325	548	525	300	540	-	-	2	1
CBOX 4.6-300 V1	440	360	640	560	350	550	285	348	325	548	525	300	540	-	-	2	1
CBOX 4.7-150 V1	440	360	740	660	350	650	135	348	325	648	625	300	640	-	-	2	1
CBOX 4.7-175 V1	440	360	740	660	350	650	160	348	325	648	625	300	640	-	-	2	1
CBOX 4.7-200 V1	440	360	740	660	350	650	185	348	325	648	625	300	640	-	-	2	1
CBOX 4.8-200 V1	440	360	840	760	350	750	185	348	325	748	725	300	740	-	-	2	1
CBOX 4.10-200 V1	440	360	940	860	350	950	185	348	325	948	925	300	940	-	-	2	1
CBOX 4.10-250 V1	440	360	940	860	350	950	235	348	325	948	925	300	940	-	-	2	1
CBOX 4.10-300 V1	440	360	940	860	350	950	285	348	325	948	925	300	940	-	-	2	1



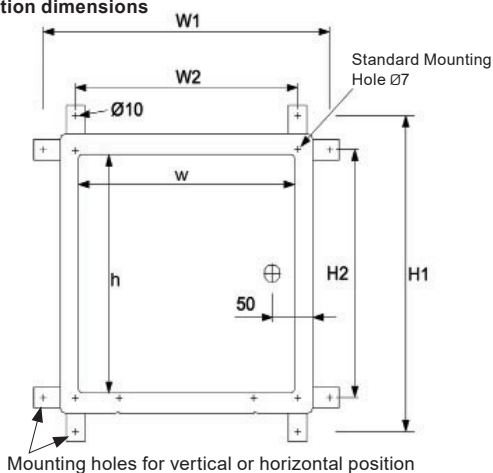
**MILD STEEL BOX ■**  
**SINGLE DOOR**  
**STANDARD GLAND**  
**VERSION 1**

CSA LISTED BOX

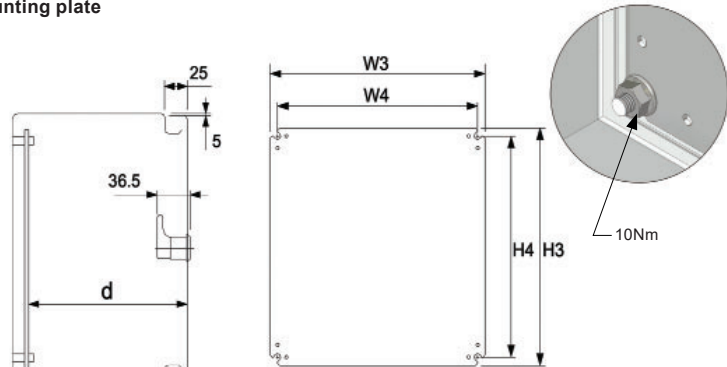
CAT. No.	DESCRIPTION	SIZE (W×H×D)	LOCKS	WEIGHT (kg)	ORDER No. RAL 7035 FTF.
CBOX 5.4-200 V1	MILD STEEL BOX CSA LISTED	500 × 400 × 200	2	18.46	C54100
CBOX 5.5-200 V1	MILD STEEL BOX CSA LISTED	500 × 500 × 200	2	18.52	C54110
CBOX 5.5-250 V1	MILD STEEL BOX CSA LISTED	500 × 500 × 250	2	18.71	C54120
CBOX 5.5-300 V1	MILD STEEL BOX CSA LISTED	500 × 500 × 300	2	18.72	C54130
CBOX 5.6-150 V1	MILD STEEL BOX CSA LISTED	500 × 600 × 150	2	18.99	C54140
CBOX 5.6-200 V1	MILD STEEL BOX CSA LISTED	500 × 600 × 200	2	19.14	C53230
CBOX 5.6-250 V1	MILD STEEL BOX CSA LISTED	500 × 600 × 250	2	19.27	C54150
CBOX 5.7-200 V1	MILD STEEL BOX CSA LISTED	500 × 700 × 200	2	21.59	C53240
CBOX 5.7-250 V1	MILD STEEL BOX CSA LISTED	500 × 700 × 250	2	23.11	C53250
CBOX 5.8-200 V1	MILD STEEL BOX CSA LISTED	500 × 800 × 200	3	23.44	C54170
CBOX 5.8-250 V1	MILD STEEL BOX CSA LISTED	500 × 800 × 250	3	23.67	C54180
CBOX 5.10-250 V1	MILD STEEL BOX CSA LISTED	500 × 1000 × 250	3	23.84	C54190
CBOX 6.4-200 V1	MILD STEEL BOX CSA LISTED	600 × 400 × 200	2	16.18	C53260
CBOX 6.4-250 V1	MILD STEEL BOX CSA LISTED	600 × 400 × 250	2	17.49	C54250
CBOX 6.4-300 V1	MILD STEEL BOX CSA LISTED	600 × 400 × 300	2	18.71	C53270
CBOX 6.5-200 V1	MILD STEEL BOX CSA LISTED	600 × 500 × 200	2	19.25	C53280
CBOX 6.6-200 V1	MILD STEEL BOX CSA LISTED	600 × 600 × 200	2	22.32	C53290
CBOX 6.6-250 V1	MILD STEEL BOX CSA LISTED	600 × 600 × 250	2	23.52	C54260
CBOX 6.6-300 V1	MILD STEEL BOX CSA LISTED	600 × 600 × 300	2	25.37	C53300
CBOX 6.7-200 V1	MILD STEEL BOX CSA LISTED	600 × 700 × 200	2	25.49	C53310
CBOX 6.8-200 V1	MILD STEEL BOX CSA LISTED	600 × 800 × 200	3	28.57	C53320
CBOX 6.8-250 V1	MILD STEEL BOX CSA LISTED	600 × 800 × 250	3	30.35	C53330
CBOX 6.8-300 V1	MILD STEEL BOX CSA LISTED	600 × 800 × 300	3	32.13	C53340
CBOX 6.10-200 V1	MILD STEEL BOX CSA LISTED	600 × 1000 × 200	3	34.75	C53350
CBOX 6.10-250 V1	MILD STEEL BOX CSA LISTED	600 × 1000 × 250	3	35.02	C54270
CBOX 6.10-300 V1	MILD STEEL BOX CSA LISTED	600 × 1000 × 300	3	35.54	C53360
CBOX 6.12-200 V1	MILD STEEL BOX CSA LISTED	600 × 1200 × 200	3	36.42	C53370
CBOX 6.12-300 V1	MILD STEEL BOX CSA LISTED	600 × 1200 × 300	3	36.91	C53373
CBOX 8.6-200 V1	MILD STEEL BOX CSA LISTED	800 × 600 × 200	2	28.59	C53420
CBOX 8.6-300 V1	MILD STEEL BOX CSA LISTED	800 × 600 × 300	2	32.18	C53430
CBOX 8.8-250 V1	MILD STEEL BOX CSA LISTED	800 × 800 × 250	3	45.02	C53460
CBOX 8.8-300 V1	MILD STEEL BOX CSA LISTED	800 × 800 × 300	3	46.20	C53380
CBOX 8.10-200 V1	MILD STEEL BOX CSA LISTED	800 × 1000 × 200	3	44.45	C53390
CBOX 8.10-250 V1	MILD STEEL BOX CSA LISTED	800 × 1000 × 250	3	46.73	C53400
CBOX 8.10-275 V1	MILD STEEL BOX CSA LISTED	800 × 1000 × 275	3	47.13	C53440
CBOX 8.10-300 V1	MILD STEEL BOX CSA LISTED	800 × 1000 × 300	3	47.98	C53410
CBOX 8.12-200 V1	MILD STEEL BOX CSA LISTED	800 × 1200 × 200	3	48.29	C53470
CBOX 8.12-250 V1	MILD STEEL BOX CSA LISTED	800 × 1200 × 250	3	48.79	C53480
CBOX 8.12-300 V1	MILD STEEL BOX CSA LISTED	800 × 1200 × 300	3	49.52	C53490

Other sizes on request.

Installation dimensions



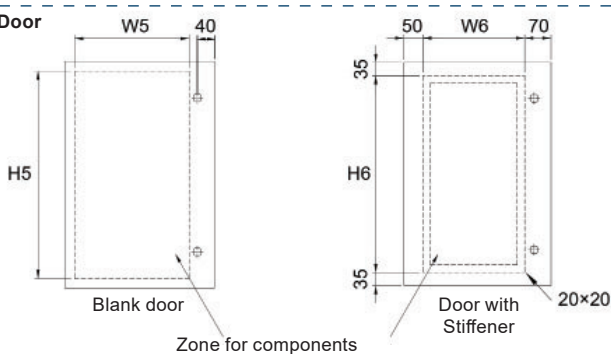
Mounting plate



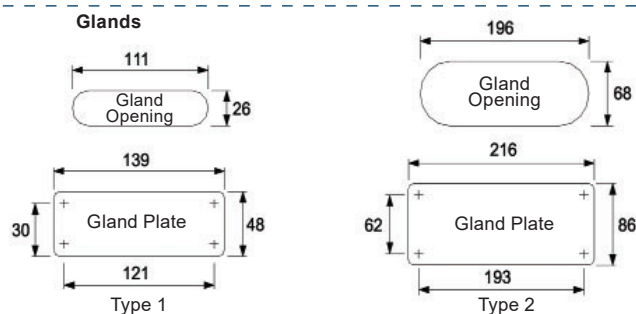
ORDER INFORMATION

ORDER No.	DESCRIPTION
xxxx-01	Box with Steel Locks
xxxx-03	Box with Plastic Knob Locks

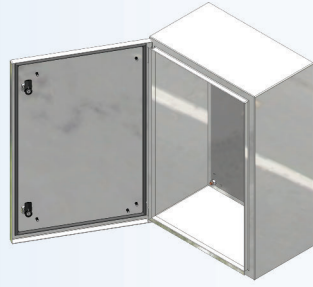
Door



Glands



CAT. No.	INSTALLATION DIMENSIONS				INTERNAL DIMENSIONS			MOUNTING PLATE				BLANK DOOR		DOOR WITH STIFFENER		TYPE OF GLAND	NO. OF GLANDS
	W1	W2	H1	H2	w	h	d	W3	W4	H3	H4	W5	H5	W6	H6		
CBOX 5.4-200 V1	540	460	440	360	450	350	185	448	425	348	325	400	340	-	-	2	1
CBOX 5.5-200 V1	540	460	540	460	450	450	185	448	425	448	425	400	440	-	-	2	1
CBOX 5.5-250 V1	540	460	540	460	450	450	235	448	425	448	425	400	440	-	-	2	1
CBOX 5.5-300 V1	540	460	540	460	450	450	285	448	425	448	425	400	440	-	-	2	1
CBOX 5.6-150 V1	540	460	640	560	450	550	135	448	425	548	525	400	540	-	-	2	1
CBOX 5.6-200 V1	540	460	640	560	450	550	185	448	425	548	525	400	540	-	-	2	1
CBOX 5.6-250 V1	540	460	640	560	450	550	235	448	425	548	525	400	540	-	-	2	1
CBOX 5.7-200 V1	540	460	740	660	450	650	185	448	425	648	625	400	640	-	-	2	1
CBOX 5.7-250 V1	540	460	740	660	450	650	235	448	425	648	625	400	640	-	-	2	1
CBOX 5.8-200 V1	540	460	840	760	450	750	185	448	425	748	725	400	740	-	-	2	1
CBOX 5.8-250 V1	540	460	840	760	450	750	235	448	425	748	725	400	740	-	-	2	1
CBOX 5.10-250 V1	540	460	940	860	450	950	235	448	425	948	925	400	940	-	-	2	1
CBOX 6.4-200 V1	640	560	440	360	550	350	185	548	525	348	325	500	340	-	-	2	2
CBOX 6.4-250 V1	640	560	440	360	550	350	235	548	525	348	325	500	340	-	-	2	2
CBOX 6.4-300 V1	640	560	440	360	550	350	285	548	525	348	325	500	340	-	-	2	2
CBOX 6.5-200 V1	640	560	540	460	550	450	185	548	525	448	425	500	440	-	-	2	2
CBOX 6.6-200 V1	640	560	640	560	550	550	185	548	525	548	525	500	540	-	-	2	2
CBOX 6.6-250 V1	640	560	640	560	550	550	235	548	525	548	525	500	540	-	-	2	2
CBOX 6.6-300 V1	640	560	640	560	550	550	285	548	525	548	525	500	540	-	-	2	2
CBOX 6.7-200 V1	640	560	740	660	550	650	185	548	525	648	625	500	640	-	-	2	2
CBOX 6.8-200 V1	640	560	840	760	550	750	185	548	525	748	725	500	740	-	-	2	2
CBOX 6.8-250 V1	640	560	840	760	550	750	235	548	525	748	725	500	740	-	-	2	2
CBOX 6.8-300 V1	640	560	840	760	550	750	285	548	525	748	725	500	740	-	-	2	2
CBOX 6.10-200 V1	640	560	1040	960	550	950	185	548	525	948	925	500	940	-	-	2	2
CBOX 6.10-250 V1	640	560	1040	960	550	950	235	548	525	948	925	500	940	-	-	2	2
CBOX 6.10-300 V1	640	560	1040	960	550	950	285	548	525	948	925	500	940	-	-	2	2
CBOX 6.12-200 V1	640	560	1240	1160	550	1150	185	548	525	1148	1125	500	1140	-	-	2	2
CBOX 6.12-300 V1	640	560	1240	1160	550	1150	285	548	525	1148	1125	500	1140	-	-	2	2
CBOX 8.6-200 V1	840	760	640	560	750	550	185	748	725	548	525	700	540	-	-	2	2
CBOX 8.6-300 V1	840	760	640	560	750	550	285	748	725	548	525	700	540	-	-	2	2
CBOX 8.8-250 V1	840	760	840	760	750	750	235	748	725	748	725	700	640	-	-	2	2
CBOX 8.8-300 V1	840	760	840	760	750	750	285	748	725	748	725	700	640	-	-	2	2
CBOX 8.10-200 V1	840	760	1040	960	750	950	185	748	725	948	925	-	-	630	800	2	2
CBOX 8.10-250 V1	840	760	1040	960	750	950	235	748	725	948	925	-	-	630	800	2	2
CBOX 8.10-275 V1	840	760	1040	960	750	950	260	748	725	948	925	-	-	630	800	2	2
CBOX 8.10-300 V1	840	760	1040	960	750	950	285	748	725	948	925	-	-	630	800	2	2
CBOX 8.12-200 V1	840	760	1240	1160	750	1150	185	748	725	1148	1125	-	-	630	1000	2	2
CBOX 8.12-250 V1	840	760	1240	1160	750	1150	235	748	725	1148	1125	-	-	630	1000	2	2
CBOX 8.12-300 V1	840	760	1240	1160	750	1150	285	748	725	1148	1125	-	-	630	1000	2	2

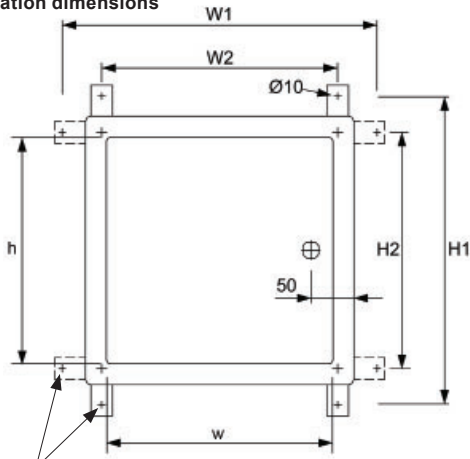

**STAINLESS STEEL BOX ■**  
**VERSION 1**
**CSA LISTED BOX**

CAT. No.	DESCRIPTION	SIZE (W×H×D)	LOCKS	WEIGHT (kg)	ORDER No. AISI 304	ORDER No. AISI 316
CSBOX 2.2-150 V1	STAINLESS STEEL BOX CSA LISTED	200 × 200 × 150	1	4.56	C60600	C61100
CSBOX 2.3-150 V1	STAINLESS STEEL BOX CSA LISTED	200 × 300 × 150	1	5.78	C60610	C61110
CSBOX 2.5.3-150 V1	STAINLESS STEEL BOX CSA LISTED	250 × 300 × 150	1	6.60	C60620	C61120
CSBOX 3.3-150 V1	STAINLESS STEEL BOX CSA LISTED	300 × 300 × 150	1	7.42	C60630	C61130
CSBOX 3.3-200 V1	STAINLESS STEEL BOX CSA LISTED	300 × 300 × 200	1	9.16	C60640	C61140
CSBOX 3.4-150 V1	STAINLESS STEEL BOX CSA LISTED	300 × 400 × 150	2	9.06	C60650	C61150
CSBOX 3.4-200 V1	STAINLESS STEEL BOX CSA LISTED	300 × 400 × 200	2	10.93	C60660	C61160
CSBOX 4.3-150 V1	STAINLESS STEEL BOX CSA LISTED	400 × 300 × 150	1	9.06	C60670	C61170
CSBOX 4.3-200 V1	STAINLESS STEEL BOX CSA LISTED	400 × 300 × 200	1	10.93	C60680	C61180
CSBOX 4.4-150 V1	STAINLESS STEEL BOX CSA LISTED	400 × 400 × 150	2	11.13	C60690	C61190
CSBOX 4.4-200 V1	STAINLESS STEEL BOX CSA LISTED	400 × 400 × 200	2	13.13	C60700	C61200
CSBOX 4.5-150 V1	STAINLESS STEEL BOX CSA LISTED	400 × 500 × 150	2	13.20	C60710	C61210
CSBOX 4.5-200 V1	STAINLESS STEEL BOX CSA LISTED	400 × 500 × 200	2	15.33	C60720	C61220
CSBOX 4.5-250 V1	STAINLESS STEEL BOX CSA LISTED	400 × 500 × 250	2	14.12	C60725	C61225
CSBOX 4.6-200 V1	STAINLESS STEEL BOX CSA LISTED	400 × 600 × 200	2	17.52	C60730	C61230
CSBOX 4.6-250 V1	STAINLESS STEEL BOX CSA LISTED	400 × 600 × 250	2	16.45	C60735	C61235
CSBOX 4.7-200 V1	STAINLESS STEEL BOX CSA LISTED	400 × 700 × 200	2	19.72	C60740	C61240
CSBOX 5.7-200 V1	STAINLESS STEEL BOX CSA LISTED	500 × 700 × 200	2	23.20	C60760	C61260
CSBOX 5.7-250 V1	STAINLESS STEEL BOX CSA LISTED	500 × 700 × 250	2	22.38	C60765	C61265
CSBOX 6.4-200 V1	STAINLESS STEEL BOX CSA LISTED	600 × 400 × 200	2	17.52	C60770	C61270
CSBOX 6.4-300 V1	STAINLESS STEEL BOX CSA LISTED	600 × 400 × 300	2	17.73	C60780	C61280
CSBOX 6.5-200 V1	STAINLESS STEEL BOX CSA LISTED	600 × 500 × 200	2	20.58	C60785	C61285
CSBOX 6.6-200 V1	STAINLESS STEEL BOX CSA LISTED	600 × 600 × 200	2	23.63	C60790	C61290
CSBOX 6.6-300 V1	STAINLESS STEEL BOX CSA LISTED	600 × 600 × 300	2	24.35	C60800	C61300
CSBOX 6.7-200 V1	STAINLESS STEEL BOX CSA LISTED	600 × 700 × 200	2	26.68	C60810	C61310
CSBOX 6.8-200 V1	STAINLESS STEEL BOX CSA LISTED	600 × 800 × 200	3	29.74	C60820	C61320
CSBOX 6.8-250 V1	STAINLESS STEEL BOX CSA LISTED	600 × 800 × 250	3	29.17	C60830	C61330
CSBOX 6.8-300 V1	STAINLESS STEEL BOX CSA LISTED	600 × 800 × 300	3	30.97	C60840	C61340
CSBOX 6.10-200 V1	STAINLESS STEEL BOX CSA LISTED	600 × 1000 × 200	3	35.84	C60850	C61350
CSBOX 6.12-200 V1	STAINLESS STEEL BOX CSA LISTED	600 × 1200 × 200	3	41.00	C60855	C61335
CSBOX 8.8-200 V1	STAINLESS STEEL BOX CSA LISTED	800 × 800 × 200	3	37.55	C60860	C61360
CSBOX 8.8-300 V1	STAINLESS STEEL BOX CSA LISTED	800 × 800 × 300	3	39.30	C60870	C61370
CSBOX 8.10-200 V1	STAINLESS STEEL BOX CSA LISTED	800 × 1000 × 200	3	45.37	C60880	C61380
CSBOX 8.10-250 V1	STAINLESS STEEL BOX CSA LISTED	800 × 1000 × 250	3	45.32	C60890	C61390
CSBOX 8.10-300 V1	STAINLESS STEEL BOX CSA LISTED	800 × 1000 × 300	3	47.63	C60900	C61400
CSBOX 8.12-200 V1	STAINLESS STEEL BOX CSA LISTED	800 × 1200 × 200	3	50.83	C60905	C61405
CSBOX 8.12-250 V1	STAINLESS STEEL BOX CSA LISTED	800 × 1200 × 250	3	53.39	C60906	C61406
CSBOX 8.12-300 V1	STAINLESS STEEL BOX CSA LISTED	800 × 1200 × 300	3	55.96	C60910	C61410
CSBOX 8.18-400 V1	STAINLESS STEEL BOX CSA LISTED	800 × 1800 × 400	3	56.18	C60924	C61436
CSBOX 8.20-400 V1	STAINLESS STEEL BOX CSA LISTED	800 × 2000 × 400	3	57.35	C60926	C61438
CSBOX 10.10-200 V1	STAINLESS STEEL BOX CSA LISTED	1000 × 1000 × 200	3	52.54	C60915	C61415
CSBOX 10.10-300 V1	STAINLESS STEEL BOX CSA LISTED	1000 × 1000 × 300	3	57.67	C60920	C61420
CSBOX 10.12-300 V1	STAINLESS STEEL BOX CSA LISTED	1000 × 1200 × 300	3	67.71	C60930	C61430
CSBOX 10.18-400 V1	STAINLESS STEEL BOX CSA LISTED	1000 × 1800 × 400	3	72.29	C60935	C61442
CSBOX 10.20-400 V1	STAINLESS STEEL BOX CSA LISTED	1000 × 2000 × 400	3	73.48	C60937	C61444

*Other sizes on request.*

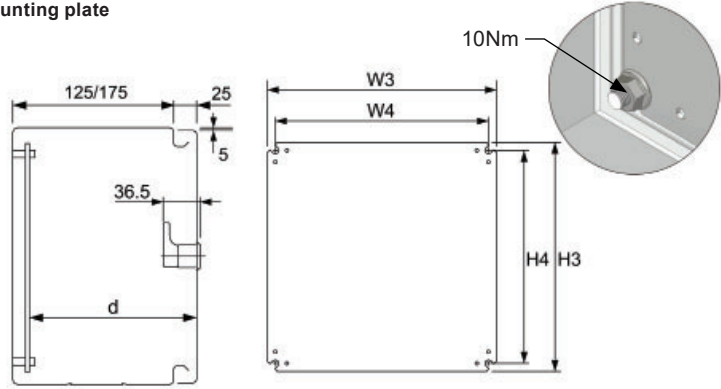


Installation dimensions

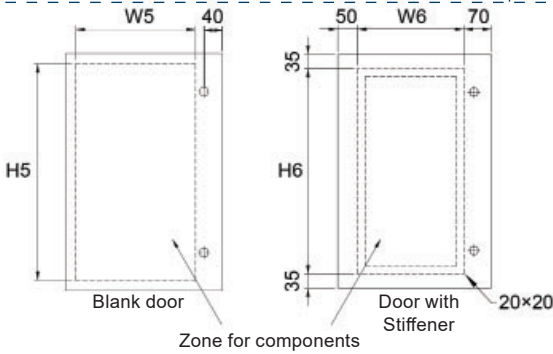


Mounting holes for vertical or horizontal position

Mounting plate



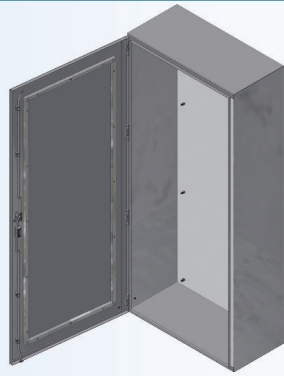
Door



### ORDER INFORMATION

ORDER No.	DESCRIPTION
xxxxx-02	Box with holes for Wall Mounting Brackets
xxxxx-04	Box with Stainless Steel Knob Lock

CAT. No.	INSTALLATION DIMENSIONS				INTERNAL DIMENSIONS			MOUNTING PLATE				BLANK DOOR		DOOR WITH STIFFENER	
	W1	W2	H1	H2	w	h	d	W3	W4	H3	H4	W5	H5	W6	H6
CSBOX 2.2-150 V1	240	160	240	160	150	150	135	148	125	148	125	100	140	-	-
CSBOX 2.3-150 V1	240	160	340	260	150	250	135	148	125	248	225	100	240	-	-
CSBOX 2.5.3-150 V1	290	210	340	260	200	250	135	198	175	248	225	150	240	-	-
CSBOX 3.3-150 V1	340	260	340	260	250	250	135	248	225	248	225	200	240	-	-
CSBOX 3.3-200 V1	340	260	340	260	250	250	185	248	225	248	225	200	240	-	-
CSBOX 3.4-150 V1	340	260	440	360	250	350	135	248	225	348	325	200	340	-	-
CSBOX 3.4-200 V1	340	260	440	360	250	350	185	248	225	348	325	200	340	-	-
CSBOX 4.3-150 V1	440	360	340	260	350	250	135	348	325	248	225	300	240	-	-
CSBOX 4.3-200 V1	440	360	340	260	350	250	185	348	325	248	225	300	240	-	-
CSBOX 4.4-150 V1	440	360	440	360	350	350	135	348	325	348	325	300	340	-	-
CSBOX 4.4-200 V1	440	360	440	360	350	350	185	348	325	348	325	300	340	-	-
CSBOX 4.5-150 V1	440	360	540	460	350	450	135	348	325	448	425	300	440	-	-
CSBOX 4.5-200 V1	440	360	540	460	350	450	185	348	325	448	425	300	440	-	-
CSBOX 4.5-250 V1	440	360	540	460	350	450	235	348	325	448	425	300	440	-	-
CSBOX 4.6-200 V1	440	360	640	560	350	550	185	348	325	548	525	300	540	-	-
CSBOX 4.6-250 V1	440	360	640	560	350	550	235	348	325	548	525	300	540	-	-
CSBOX 4.7-200 V1	440	360	740	660	350	650	185	348	325	648	625	300	640	-	-
CSBOX 5.7-200 V1	540	460	740	660	450	650	185	448	425	648	625	400	640	-	-
CSBOX 5.7-250 V1	540	460	740	660	450	650	235	448	425	648	625	400	640	-	-
CSBOX 6.4-200 V1	640	560	440	360	550	350	185	548	525	348	325	500	340	-	-
CSBOX 6.4-300 V1	640	560	440	360	550	350	285	548	525	348	325	500	340	-	-
CSBOX 6.5-200 V1	640	560	540	460	550	450	185	548	525	448	425	500	440	-	-
CSBOX 6.6-200 V1	640	560	640	560	550	550	185	548	525	548	525	500	540	-	-
CSBOX 6.6-300 V1	640	560	640	560	550	550	285	548	525	548	525	500	540	-	-
CSBOX 6.7-200 V1	640	560	740	660	550	650	185	548	525	648	625	500	640	-	-
CSBOX 6.8-200 V1	640	560	840	760	550	750	185	548	525	748	725	500	740	-	-
CSBOX 6.8-250 V1	640	560	840	760	550	750	235	548	525	748	725	500	740	-	-
CSBOX 6.8-300 V1	640	760	840	760	550	750	285	548	525	748	725	500	740	-	-
CSBOX 6.10-200 V1	640	560	1040	960	550	950	185	548	525	948	925	500	940	-	-
CSBOX 6.12-200 V1	640	560	1240	1160	550	1150	185	548	525	1148	1125	500	1140	-	-
CSBOX 8.8-200 V1	840	760	840	760	750	750	185	748	725	748	725	700	740	-	-
CSBOX 8.8-300 V1	840	760	840	760	750	750	285	748	725	748	725	700	740	-	-
CSBOX 8.10-200 V1	840	760	1040	960	750	950	185	748	725	948	925	700	940	620	870
CSBOX 8.10-250 V1	840	760	1040	960	750	950	235	748	725	948	925	700	940	620	870
CSBOX 8.10-300 V1	840	760	1040	960	750	950	285	748	725	948	925	700	940	620	870
CSBOX 8.12-200 V1	840	760	1240	1160	750	1150	185	748	725	1148	1125	700	1140	620	1070
CSBOX 8.12-250 V1	840	760	1240	1160	750	1150	235	748	725	1148	1125	700	1140	620	1070
CSBOX 8.12-300 V1	840	760	1240	1160	750	1150	285	748	725	1148	1125	700	1140	620	1070
CSBOX 8.18-400 V1	840	760	1840	1760	750	1750	385	748	725	1748	1725	700	1740	620	1670
CSBOX 8.20-400 V1	840	760	2040	1960	750	1950	385	748	725	1948	1925	700	1940	620	1870
CSBOX 10.10-200 V1	1040	960	1040	960	950	950	185	948	925	948	925	900	940	820	870
CSBOX 10.10-300 V1	1040	960	1040	960	950	950	285	948	925	948	925	900	940	820	870
CSBOX 10.12-300 V1	1040	960	1240	1160	950	1150	285	948	925	1148	1125	900	1140	820	1070
CSBOX 10.18-400 V1	1040	960	1840	1760	950	1750	285	948	925	1948	1925	900	1940	820	1070
CSBOX 10.20-400 V1	1040	960	2040	1960	950	1950	285	948	925	1948	1925	900	1940	820	1070

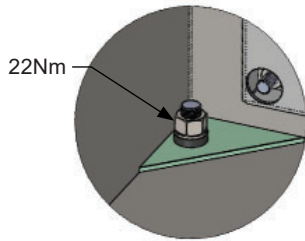
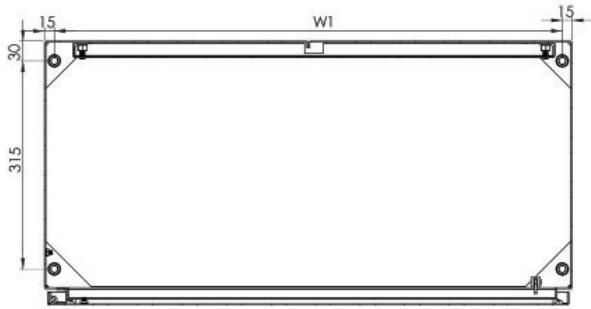

**STAINLESS STEEL BOX ■**  
**VERSION PL**

CAT. No.	DESCRIPTION	SIZE (W×H×D)	WEIGHT (kg)	ORDER No. AISI 304	ORDER No. AISI 316
CSBOX 8.18-400 PL	STAINLESS STEEL BOX CSA LISTED	800 × 1800 × 400	108	U99207	U99307
CSBOX 8.20-400 PL	STAINLESS STEEL BOX CSA LISTED	800 × 2000 × 400	120	U99208	U99308
CSBOX 10.18-400 PL	STAINLESS STEEL BOX CSA LISTED	1000 × 1800 × 400	128	U99209	U99309
CSBOX 10.20-400 PL	STAINLESS STEEL BOX CSA LISTED	1000 × 2000 × 400	140	U99210	U99310

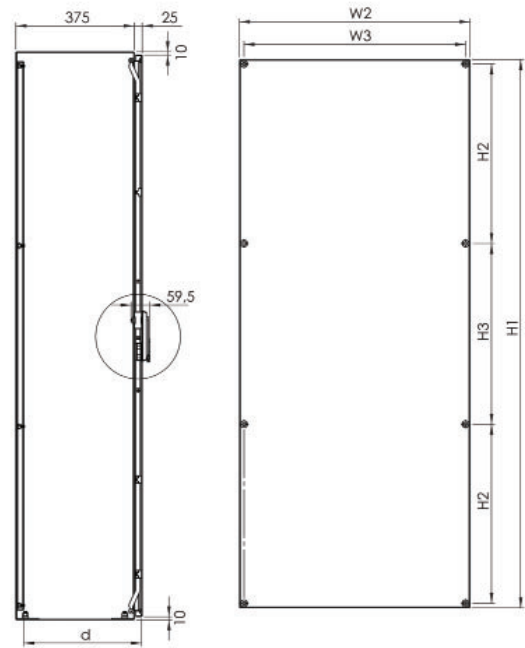
**CSA LISTED BOX**
*Other sizes on request.*

### Installation dimensions

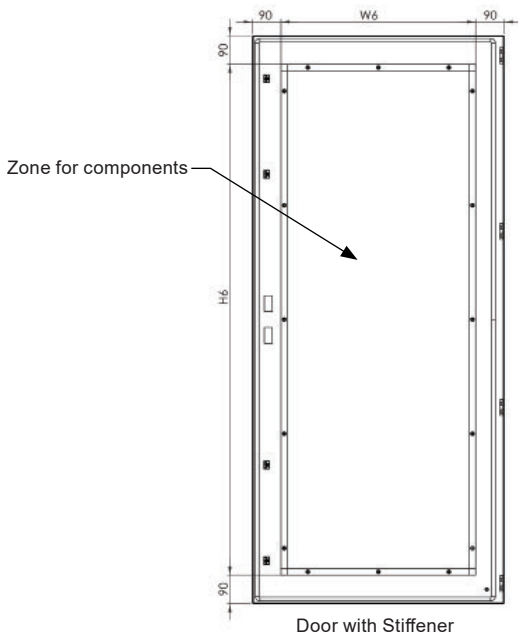
Floor mounting : remove screw M10×25, settle enclosure on anchor bolts and tight with torque 22Nm



### Mounting plate

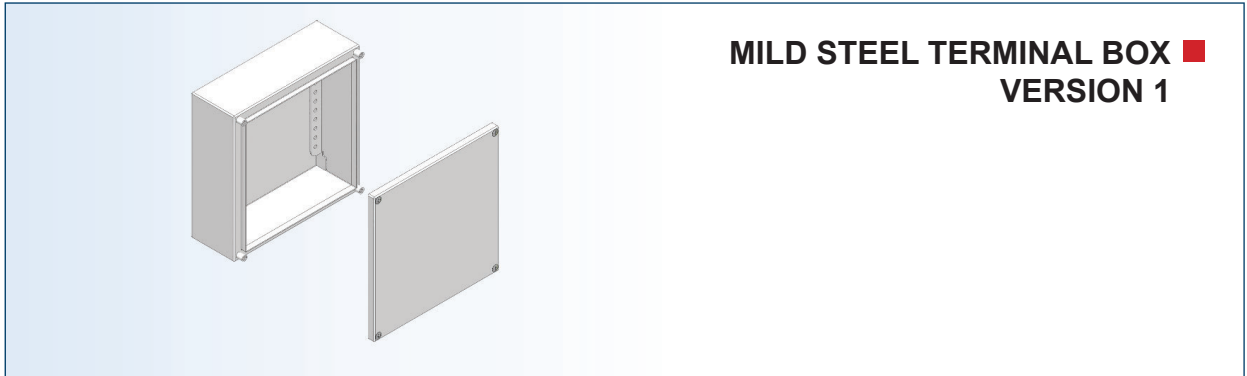


### Door



Door with Stiffener

CAT. No.	INSTALLATION DIMENSIONS	MOUNTING PLATE					DOOR WITH STIFFENER	
	W1	W2	W3	H1	H2	H3	W6	H6
SBOX 8.18-400 PL	772	731	702	1738	568	573	610	1600
SBOX 8.20-400 PL	772	731	702	1938	638	633	610	1800
SBOX 10.18-400 PL	972	831	902	1738	568	573	810	1600
SBOX 10.20-400 PL	972	831	902	1938	638	633	810	1800

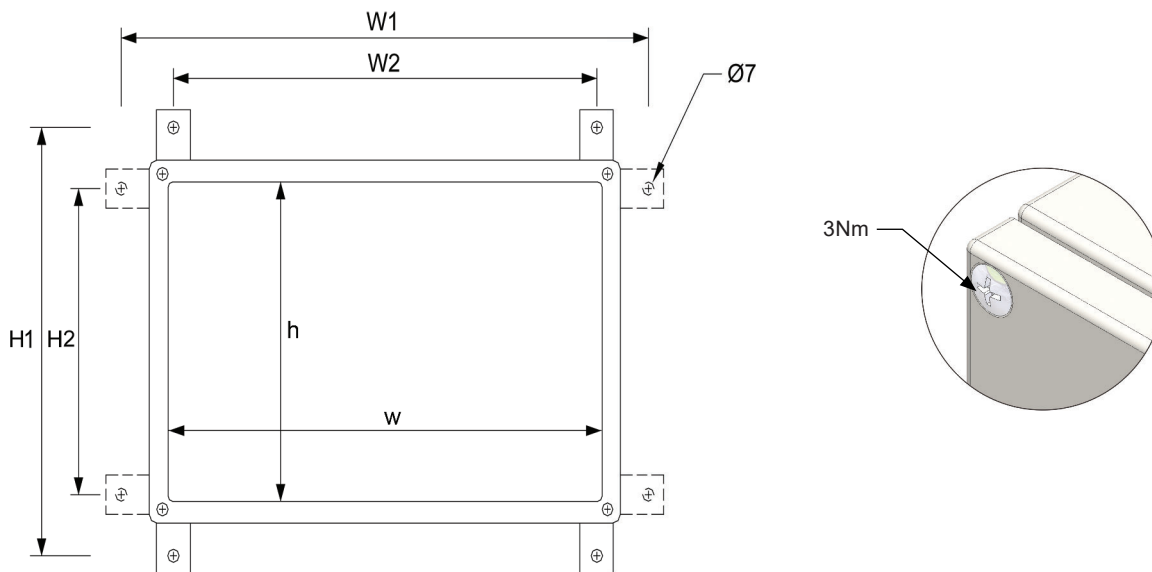


**MILD STEEL TERMINAL BOX ■  
VERSION 1**

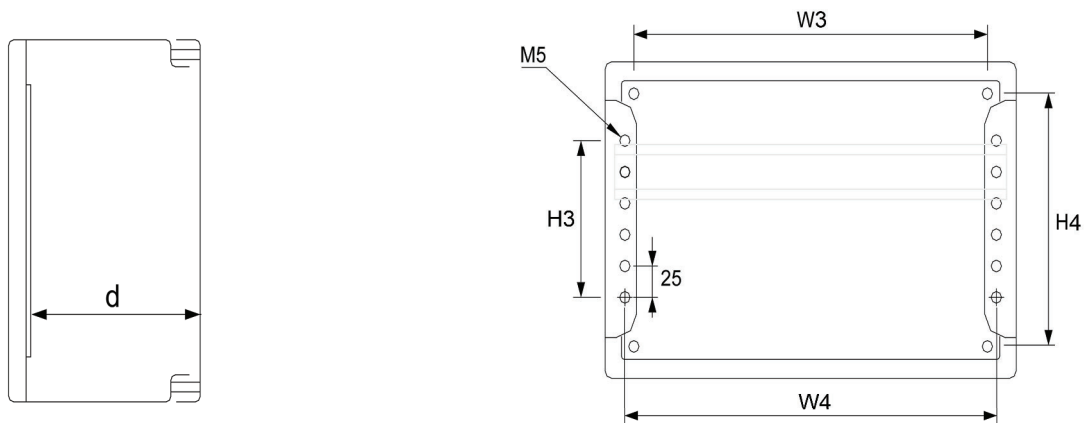
CAT. No.	DESCRIPTION	SIZE (W×H×D)	WEIGHT (kg)	VERSION 1 ORDER No. RAL7035 FTF..
CSTNB 1,5.1,5-80 V1	MILD STEEL TERMINAL BOX CSA LISTED	150 × 150 × 80	1.39	C71500
CSTNB 1,5.1,5-120 V1	MILD STEEL TERMINAL BOX CSA LISTED	150 × 150 × 120	1.98	C71540
CSTNB 1,75.1,75-120 V1	MILD STEEL TERMINAL BOX CSA LISTED	175 × 175 × 120	2.30	C71560
CSTNB 2.2-80 V1	MILD STEEL TERMINAL BOX CSA LISTED	200 × 200 × 80	1.98	C71520
CSTNB 2.2-120 V1	MILD STEEL TERMINAL BOX CSA LISTED	200 × 200 × 120	2.65	C71580
CSTNB 3.1,5-80 V1	MILD STEEL TERMINAL BOX CSA LISTED	300 × 150 × 80	2.14	C71510
CSTNB 3.1,5-120 V1	MILD STEEL TERMINAL BOX CSA LISTED	300 × 150 × 120	2.84	C71570
CSTNB 3.2-80 V1	MILD STEEL TERMINAL BOX CSA LISTED	300 × 200 × 80	2.57	C71530
CSTNB 3.2-120 V1	MILD STEEL TERMINAL BOX CSA LISTED	300 × 200 × 120	3.32	C71590
CSTNB 3.3-120 V1	MILD STEEL TERMINAL BOX CSA LISTED	300 × 300 × 120	4.24	C71610
CSTNB 4.2-120 V1	MILD STEEL TERMINAL BOX CSA LISTED	400 × 200 × 120	4.00	C71600

Other sizes on request.

Installation dimensions

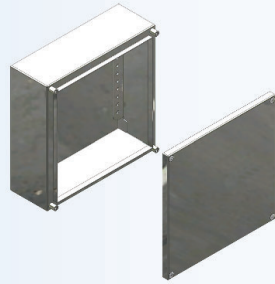


Mounting rail



CAT. No.	INSTALLATION DIMENSIONS				INTERNAL DIMENSIONS			MOUNTING RAIL				
	W1	W2	H1	H2	w	h	d	W3	W4	H3	H4	NO. OF HOLES
CSTNB 1.5.1,5-80 V1	190	110	190	110	125	125	67	110	125	75	110	7
CSTNB 1.5.1,5-120 V1	190	110	190	110	125	125	107	110	125	75	110	7
CSTNB 1.75.1,75-120 V1	215	135	215	135	150	150	107	135	150	100	135	9
CSTNB 2.2-80 V1	240	160	240	160	175	175	67	160	175	125	160	11
CSTNB 2.2-120 V1	240	160	240	160	175	175	107	160	175	125	160	11
CSTNB 3.1,5-80 V1	340	260	190	110	275	125	67	260	275	75	110	7
CSTNB 3.1,5-120 V1	340	260	190	110	275	125	107	260	275	75	110	7
CSTNB 3.2-80 V1	340	260	240	160	275	175	67	260	275	125	160	11
CSTNB 3.2-120 V1	340	260	240	160	275	175	107	260	275	125	160	11
CSTNB 3.3-120 V1	340	260	340	260	275	275	107	260	275	225	260	19
CSTNB 4.2-120 V1	440	360	240	160	375	175	107	360	375	125	160	11





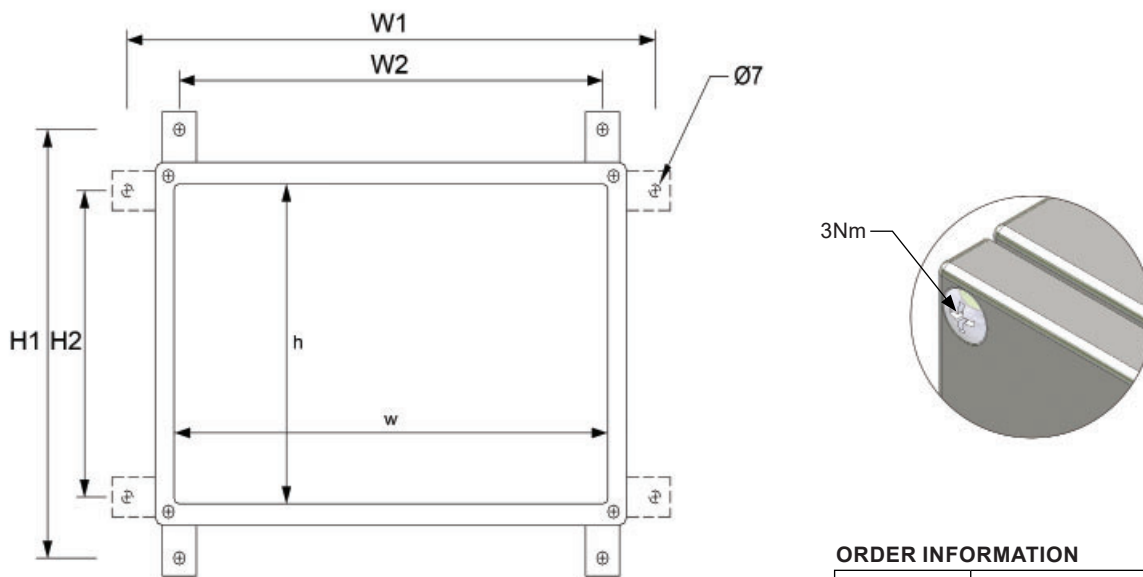
**STAINLESS STEEL ■  
TERMINAL BOX  
VERSION 1**

CSA LISTED BOX

CAT. No.	DESCRIPTION	SIZE (W×H×D)	WEIGHT kg	ORDER No. AISI 304	ORDER No. AISI 316
CSSTNB 1,5.1,5-80 V1	STAINLESS STEEL TERMINAL BOX CSA LISTED	150 × 150 × 80	1.71	C71700	C71850
CSSTNB 1,5.1,5-120 V1	STAINLESS STEEL TERMINAL BOX CSA LISTED	150 × 150 × 120	2.44	C71740	C71890
CSSTNB 1,75.1,75-120 V1	STAINLESS STEEL TERMINAL BOX CSA LISTED	175 × 175 × 120	2.00	C71750	C71900
CSSTNB 2.2-80 V1	STAINLESS STEEL TERMINAL BOX CSA LISTED	200 × 200 × 80	2.43	C71720	C71870
CSSTNB 2.2-120 V1	STAINLESS STEEL TERMINAL BOX CSA LISTED	200 × 200 × 120	3.26	C71770	C71920
CSSTNB 3.1,5-80 V1	STAINLESS STEEL TERMINAL BOX CSA LISTED	300 × 150 × 80	2.63	C71710	C71860
CSSTNB 3.1,5-120 V1	STAINLESS STEEL TERMINAL BOX CSA LISTED	300 × 150 × 120	3.52	C71760	C71910
CSSTNB 3.2-80 V1	STAINLESS STEEL TERMINAL BOX CSA LISTED	300 × 200 × 80	3.17	C71730	C71880
CSSTNB 3.2-120 V1	STAINLESS STEEL TERMINAL BOX CSA LISTED	300 × 200 × 120	4.11	C71780	C71930
CSSTNB 3.3-120 V1	STAINLESS STEEL TERMINAL BOX CSA LISTED	300 × 300 × 120	5.26	C71800	C71950
CSSTNB 4.2-120 V1	STAINLESS STEEL TERMINAL BOX CSA LISTED	400 × 200 × 120	4.96	C71790	C71940

Other sizes on request.

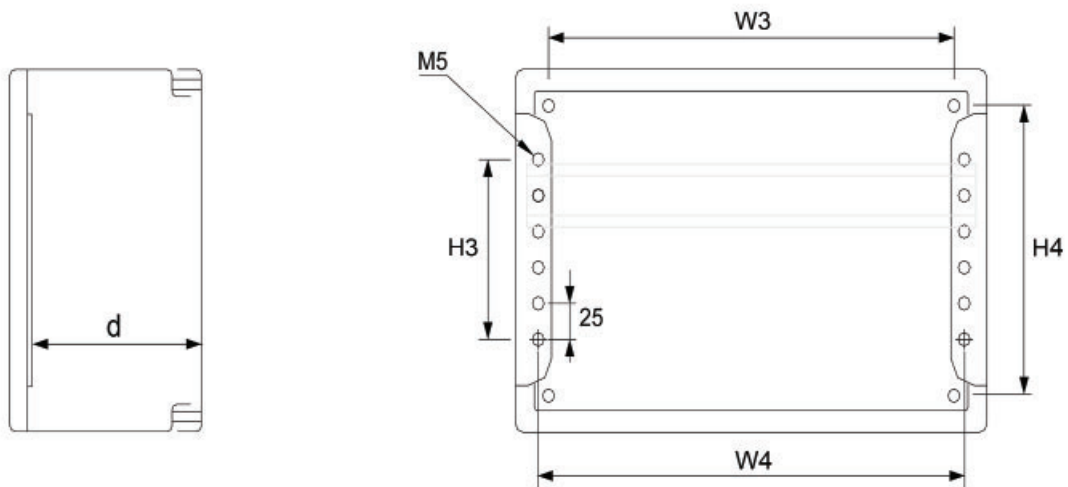
Installation dimensions




**ORDER INFORMATION**

ORDER No.	DESCRIPTION
xxxx-02	Box with holes for Wall Mounting Brackets

Mounting rail

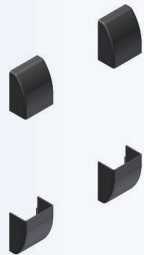


CAT. No.	INSTALLATION DIMENSIONS				INTERNAL DIMENSIONS			MOUNTING RAIL				NO. OF HOLES
	W1	W2	H1	H2	w	h	d	W3	W4	H3	H4	
CSSTNB 1.5.1,5-80 V1	190	110	190	110	125	125	67	110	125	75	110	7
CSSTNB 1,5.1,5-120 V1	190	110	190	110	125	125	107	110	125	75	110	7
CSSTNB 1,75.1,75-120 V1	215	135	215	135	150	150	107	135	150	100	135	9
CSSTNB 2.2-80 V1	240	160	240	160	175	175	67	160	175	125	160	11
CSSTNB 2.2-120 V1	240	160	240	160	175	175	107	160	175	125	160	11
CSSTNB 3.1,5-80 V1	340	260	190	110	275	125	67	260	275	75	110	7
CSSTNB 3.1,5-120 V1	340	260	190	110	275	125	107	260	275	75	110	7
CSSTNB 3.2-80 V1	340	260	240	160	275	175	67	260	275	125	160	11
CSSTNB 3.2-120 V1	340	260	240	160	275	175	107	260	275	125	160	11
CSSTNB 3.3-120 V1	340	260	340	260	275	275	107	260	275	225	260	19
CSSTNB 4.2-120 V1	440	360	240	160	375	175	107	360	375	125	160	11



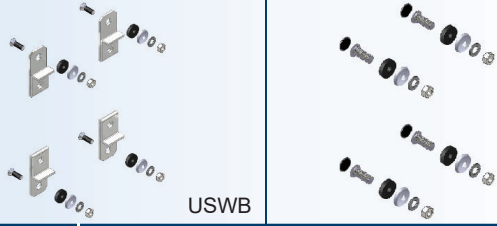
**WALL MOUNTING BRACKETS** ■

CAT. No.	DESCRIPTION	WEIGHT (kg)	ORDER No. Aluminium
UBWB	WALL MOUNTING BRACKETS (MILD STEEL BOX)	0.40	C50594



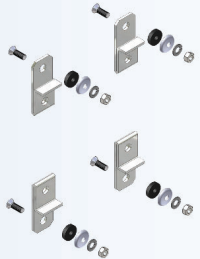
**WALL MOUNTING BRACKET COVERS** ■

CAT. No.	DESCRIPTION	WEIGHT (kg)	ORDER No.
UWBC	WALL MOUNTING BRACKET COVERS (MILD STEEL BOX)	0.1	C50595



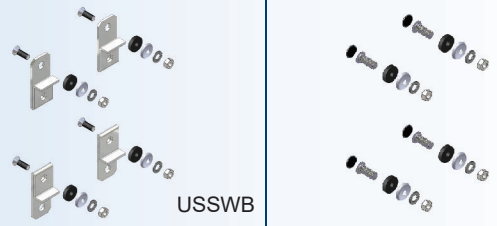
**WALL MOUNTING BRACKETS** ■

CAT. No.	DESCRIPTION	ORDER No. AISI 304	ORDER No. AISI 316
USWB	WALL MOUNTING BRACKETS (STAINLESS STEEL BOX)	C60290	C60590
UHCK 1	HOLE COVERING KIT (STAINLESS STEEL BOX)	C60291	C60291



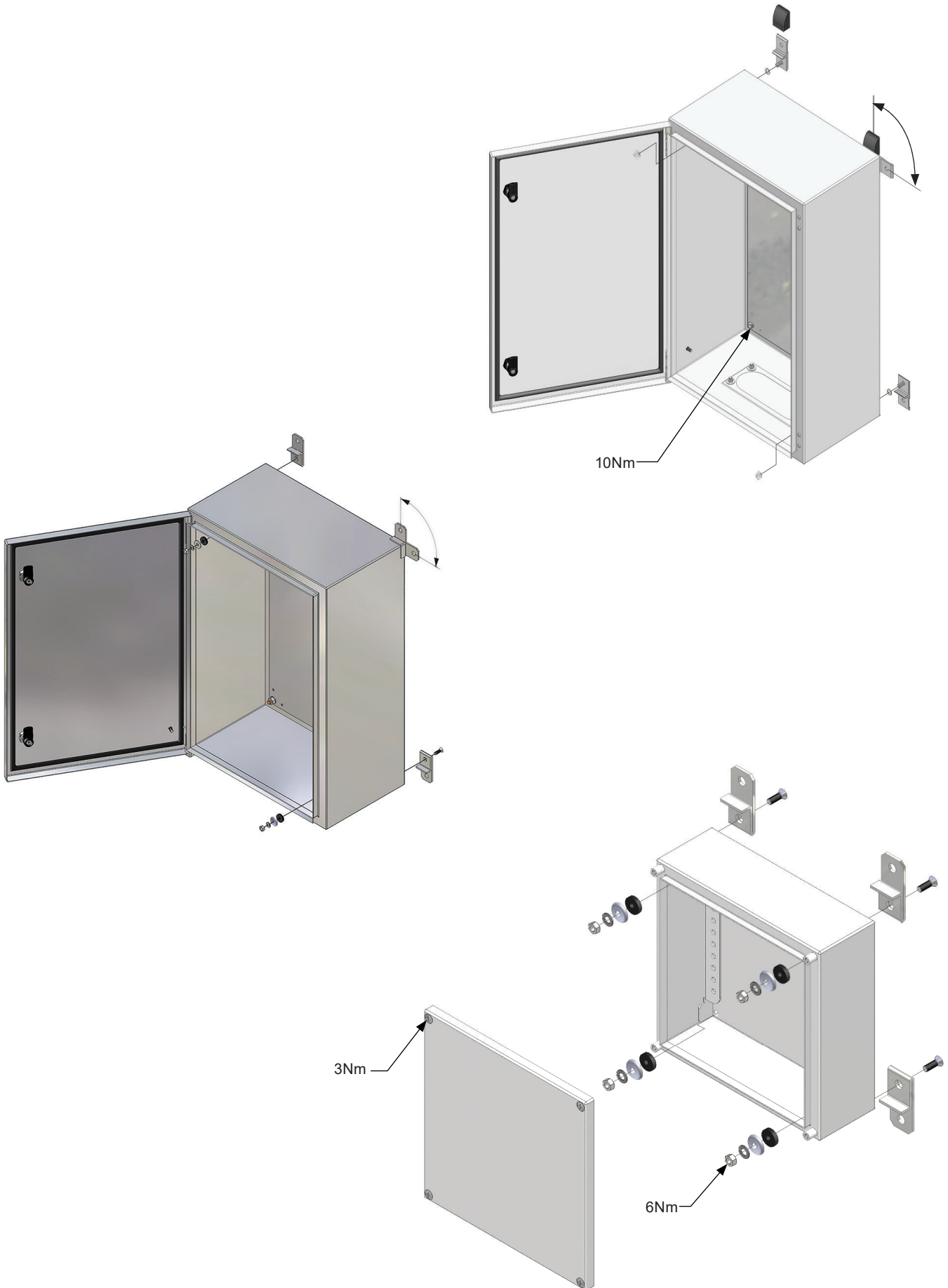
**WALL MOUNTING BRACKETS** ■

CAT. No.	DESCRIPTION	WEIGHT (kg)	ORDER No. Aluminium
UTWB	WALL MOUNTING BRACKETS (MILD STEEL TERMINAL BOX)	0.16	C70150



**WALL MOUNTING BRACKETS** ■

CAT. No.	DESCRIPTION	ORDER No. AISI 304	ORDER No. AISI 316
USSWB	WALL MOUNTING BRACKETS (STAINLESS STEEL TERMINAL BOX)	C70350	C70550
UHCK 2	HOLE COVERING KIT (STAINLESS STEEL TERMINAL BOX)	C60292	C60292



**Elsteel Box Enclosures** are certified as per IEC, UL and CSA standards by independent certification authorities.



**Elsteel Boxes** are certified for marine applications by



**Box - Technical Data**

**GENERAL DATA**

<b>Mounting possibilities</b>	Wall mounting
<b>Standard colour</b>	RAL7035 Fine texture (Inquire for non standard colours)

**MECHANICAL DATA**

<b>Cable entry</b>	Top/ Bottom
<b>Access</b>	Front
<b>NEMA Type</b>	
<b>Mild Steel Box (V1)</b>	1, 4X and 12
<b>Mild Steel Box (V2)</b>	1
<b>Stainless Steel Box (V1)</b>	1, 4, 4X, 12 and 13
<b>Stainless Steel Box (V2)</b>	1
<b>Mild Steel Terminal Box (V1)</b>	4, 4X and 12
<b>Mild Steel Terminal Box (V2)</b>	1, 12 and 13
<b>Stainless Steel Terminal Box (V1)</b>	1, 4, 4X, 12 and 13
<b>Stainless Steel Terminal Box (V2)</b>	1, 3R, 4, 4X, 12 and 13

**STANDARD FOR SAFETY**

<b>E207550</b>	UL508A, Industrial Control Panels
<b>E207550</b>	CAN/CSA C22.2 No.14-10, Industrial Control Equipment
<b>E213746</b>	UL50, Enclosures for Electrical Equipment, Non Environmental Considerations
<b>E213746</b>	UL50E, Enclosures for Electrical Equipment, Environmental Considerations
<b>CSA 227808</b>	CSA C22.2 No.94.1/UL50, Enclosures for Electrical Equipment, Non-Environmental Considerations
<b>CSA 227808</b>	CSA C22.2 No.94.2/UL50E, Enclosures for Electrical Equipment, Environmental Considerations

**PAINT SPECIFICATIONS**

Type of paint	Epoxy polyester powder
Type of finish	Semi gloss/ Smooth finish
Coating thickness	≥ 60µm
To repaint	Slightly sanding the surface to be painted and apply required colour layer. Please inform paint supplier above information.

Type of paint	Epoxy polyester powder
Type of finish	Texture finish/ Fine Texture Finish
Coating thickness	≥ 70µm
To repaint	Slightly sanding the surface to be painted and apply required colour layer. Please inform paint supplier above information.



MODULAR  
**ELSTEEL**  
ENCLOSURES



**100% Danish**  
Technology

Møllevej 9 C · 2990 Nivå  
Denmark  
Tel +45 49 22 33 44  
elsteel@elsteel.dk  
[www.elsteel.com](http://www.elsteel.com)