

19" SUPER FRAME

MODULAR
ELSTEEL
ENCLOSURES



www.elsteel.com

The best technical solution at the best possible price

Industrial Jewellery by **ELSTEEL**



You're holding a top of the line quality product in your hands. Made with love and excellence! I hope you will enjoy assembling and using Elsteel products as much as I enjoy manufacturing it for you.

A stylized, handwritten signature in black ink.

Fang Logstrup
Managing Director



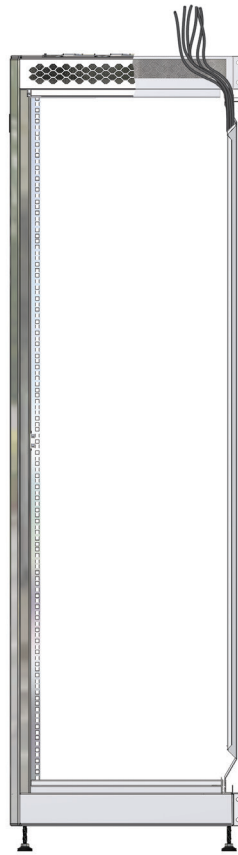
ELSTEEL

IN-BUILT DESIGN FEATURES

Large natural ventilation area. Ventilates when the door is open or closed.



100mm for cable management

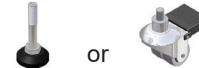


Fans

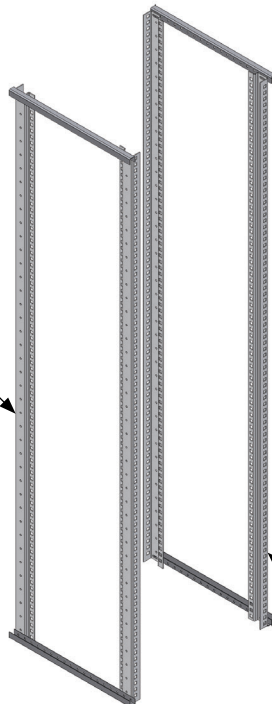
Space available for forced ventilation using standard fans



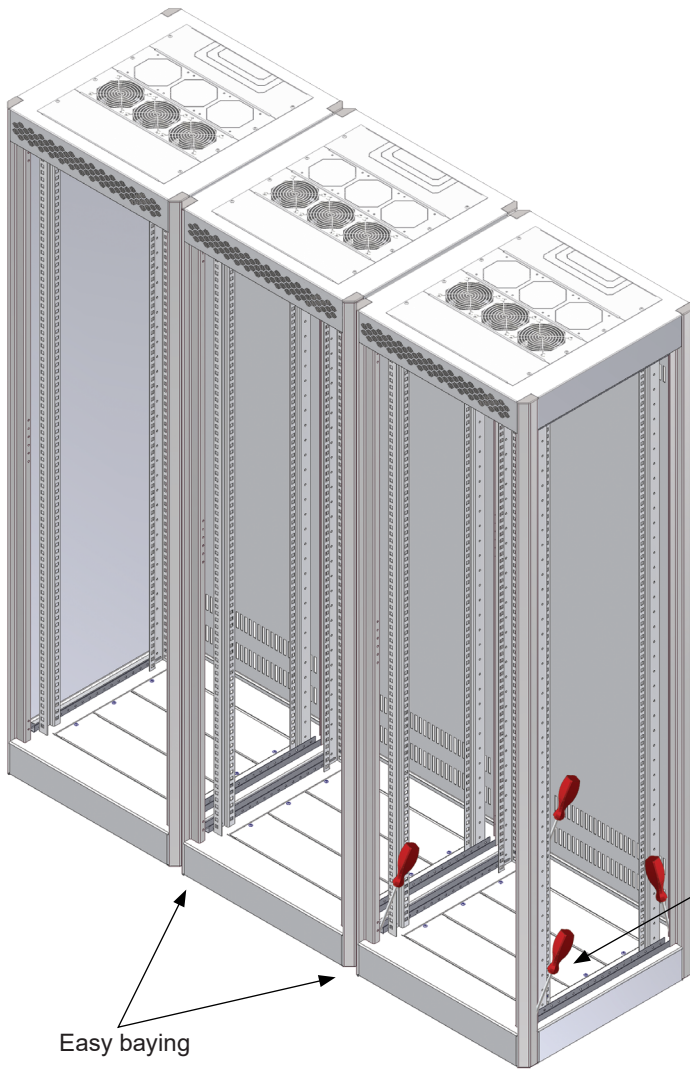
Polished SS frame
Perfect for EMC Solution



Earthing through Alu-zink

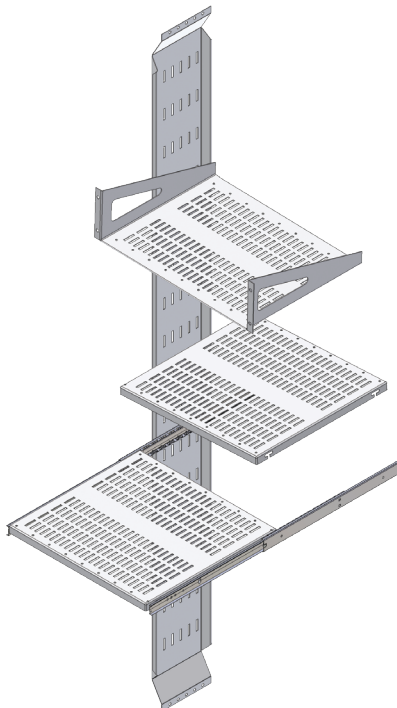


Our 19" rails can support your valuable equipment up to 1100kg (per tier)



Easy baying

All feet are adjustable from inside the cabinet
Important when the cabinets are placed against the wall



Strong shelves
and
cable ladders

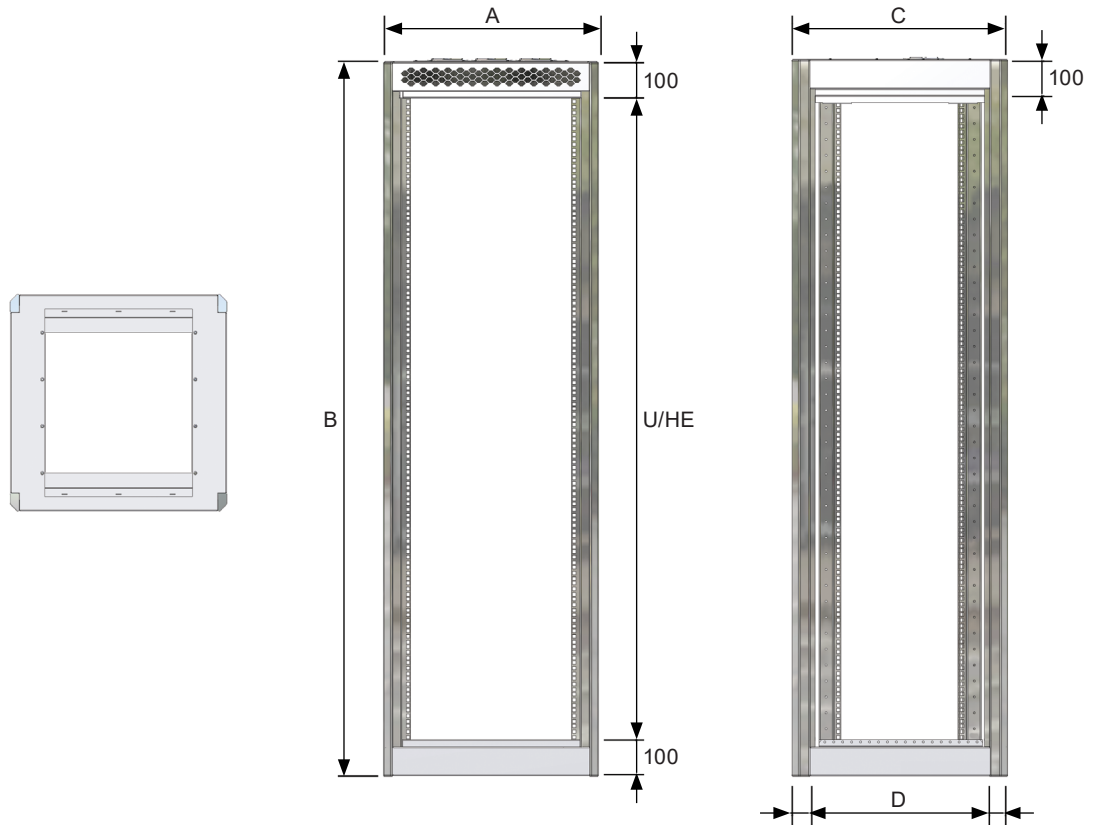




FRAME WITH MOUNTING RAILS ■

RAMME MED MONTAGE SKINNER ■

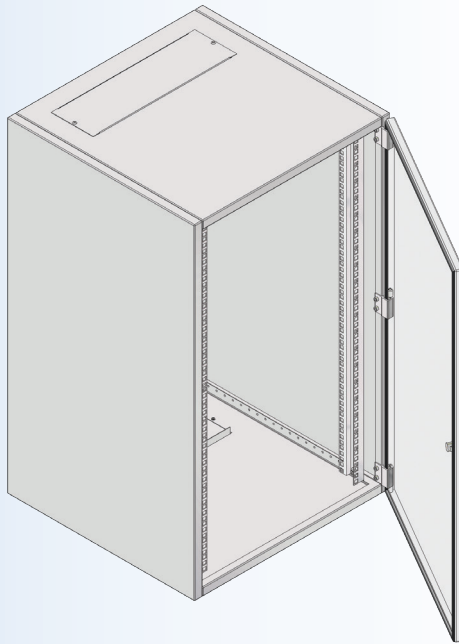
TYPE	DESCRIPTION	U/HE	SIZE (W×H×D)	WEIGHT (kg)	ORDER NO Stainless Steel	ORDER NO Mild Steel
SF 6.10.6	FRAME WITH MOUNTING RAILS	17U	600x1000x600	29.07	42700	43900
SF 6.10.8	FRAME WITH MOUNTING RAILS	17U	600x1000x800	31.83	42710	43910
SF 6.12.6	FRAME WITH MOUNTING RAILS	22U	600x1200x600	31.35	42720	43920
SF 6.12.8	FRAME WITH MOUNTING RAILS	22U	600x1200x800	34.12	42730	43930
SF 6.14.6	FRAME WITH MOUNTING RAILS	26U	600x1400x600	33.64	42740	43940
SF 6.14.8	FRAME WITH MOUNTING RAILS	26U	600x1400x800	36.41	42750	43950
SF 6.16.6	FRAME WITH MOUNTING RAILS	31U	600x1600x600	35.93	42760	43960
SF 6.16.8	FRAME WITH MOUNTING RAILS	31U	600x1600x800	38.69	42770	43970
SF 6.18.6	FRAME WITH MOUNTING RAILS	35U	600x1800x600	38.21	42780	43980
SF 6.18.8	FRAME WITH MOUNTING RAILS	35U	600x1800x800	40.97	42790	43990
SF 6.20.6	FRAME WITH MOUNTING RAILS	40U	600x2000x600	40.49	42800	44000
SF 6.20.8	FRAME WITH MOUNTING RAILS	40U	600x2000x800	43.26	42810	44010
SF 6.22.6	FRAME WITH MOUNTING RAILS	44U	600x2200x600	42.78	42820	44020
SF 6.22.8	FRAME WITH MOUNTING RAILS	44U	600x2200x800	45.54	42830	44030
SF 8.10.6	FRAME WITH MOUNTING RAILS	17U	800x1000x600	31.04	42850	44050
SF 8.10.8	FRAME WITH MOUNTING RAILS	17U	800x1000x800	33.45	42860	44060
SF 8.12.6	FRAME WITH MOUNTING RAILS	22U	800x1200x600	33.33	42870	44070
SF 8.12.8	FRAME WITH MOUNTING RAILS	22U	800x1200x800	35.74	42880	44080
SF 8.14.6	FRAME WITH MOUNTING RAILS	26U	800x1400x600	35.62	42890	44090
SF 8.14.8	FRAME WITH MOUNTING RAILS	26U	800x1400x800	38.02	42900	44100
SF 8.16.6	FRAME WITH MOUNTING RAILS	31U	800x1600x600	37.90	42910	44110
SF 8.16.8	FRAME WITH MOUNTING RAILS	31U	800x1600x800	40.31	42920	44120
SF 8.18.6	FRAME WITH MOUNTING RAILS	35U	800x1800x600	40.18	42930	44130
SF 8.18.8	FRAME WITH MOUNTING RAILS	35U	800x1800x800	42.59	42940	44140
SF 8.20.6	FRAME WITH MOUNTING RAILS	40U	800x2000x600	42.47	42950	44150
SF 8.20.8	FRAME WITH MOUNTING RAILS	40U	800x2000x800	44.88	42960	44160
SF 8.22.6	FRAME WITH MOUNTING RAILS	44U	800x2200x600	44.75	42970	44170
SF 8.22.8	FRAME WITH MOUNTING RAILS	44U	800x2200x800	47.16	42980	44180



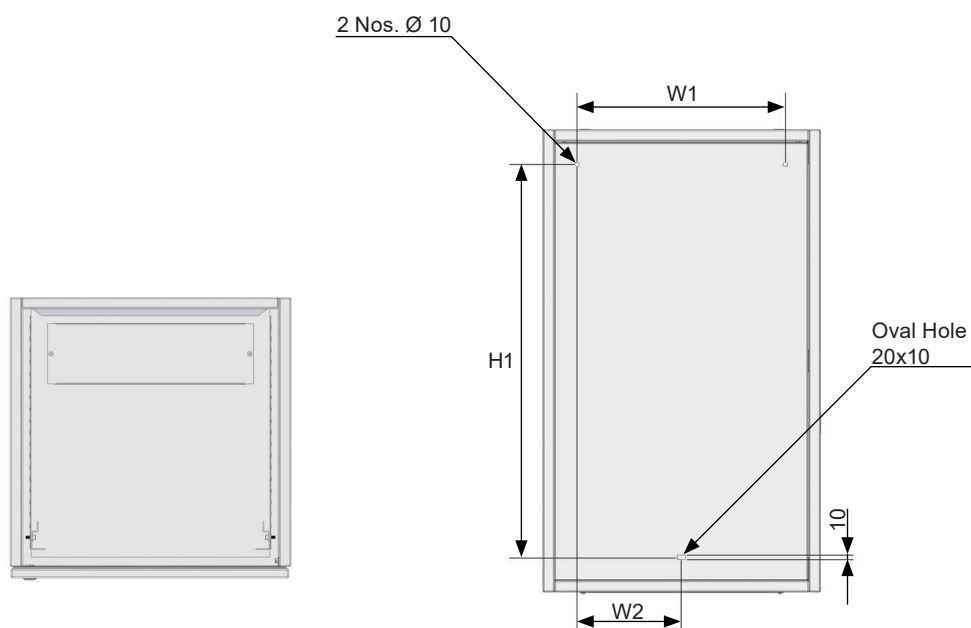
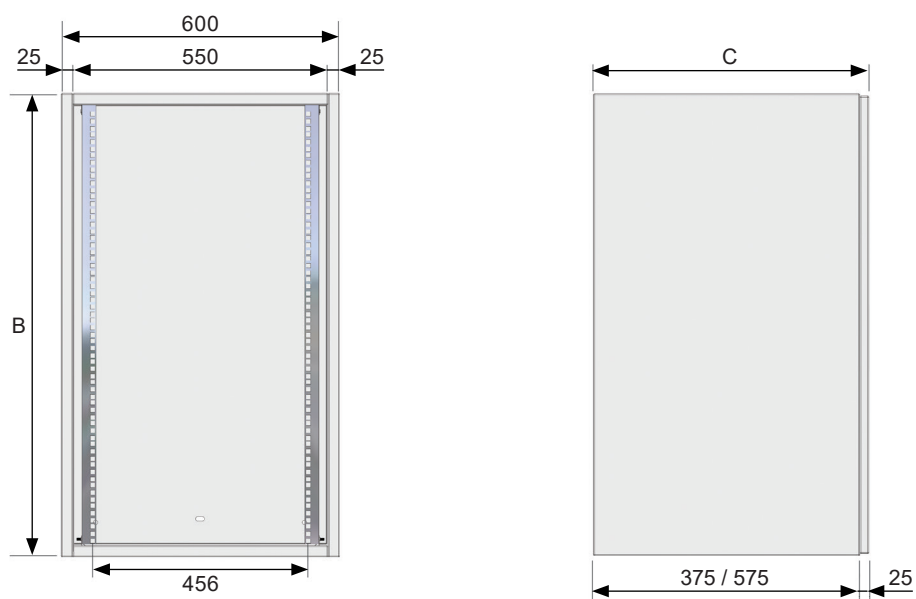
TYPE	U/HE	OVERALL SIZE			
		A	B	C	D
SF 6.10.6	17U	600	1000	600	450
SF 6.10.8	17U	600	1000	800	650
SF 6.12.6	22U	600	1200	600	450
SF 6.12.8	22U	600	1200	800	650
SF 6.14.6	26U	600	1400	600	450
SF 6.14.8	26U	600	1400	800	650
SF 6.16.6	31U	600	1600	600	450
SF 6.16.8	31U	600	1600	800	650
SF 6.18.6	35U	600	1800	600	450
SF 6.18.8	35U	600	1800	800	650
SF 6.20.6	40U	600	2000	600	450
SF 6.20.8	40U	600	2000	800	650
SF 6.22.6	44U	600	2200	600	450
SF 6.22.8	44U	600	2200	800	650
SF 8.10.6	17U	800	1000	600	450
SF 8.10.8	17U	800	1000	800	650
SF 8.12.6	22U	800	1200	600	450
SF 8.12.8	22U	800	1200	800	650
SF 8.14.6	26U	800	1400	600	450
SF 8.14.8	26U	800	1400	800	650
SF 8.16.6	31U	800	1600	600	450
SF 8.16.8	31U	800	1600	800	650
SF 8.18.6	35U	800	1800	600	450
SF 8.18.8	35U	800	1800	800	650
SF 8.20.6	40U	800	2000	600	450
SF 8.20.8	40U	800	2000	800	650
SF 8.22.6	44U	800	2200	600	450
SF 8.22.8	44U	800	2200	800	650

19" WALL MOUNTING CABINET ■

19" VÆG KABINET ■

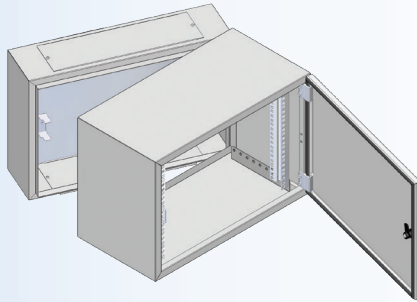


TYPE	DESCRIPTION	U/HE	SIZE (W×H×D)	WEIGHT (kg)	ORDER NO RAL7035 FT..
WM 6.3.4	19" WALL MOUNTING CABINET	5U	600 x 300 x 400	18.40	42004
WM 6.4.4	19" WALL MOUNTING CABINET	7U	600 x 400 x 400	20.00	42005
WM 6.5.4	19" WALL MOUNTING CABINET	10U	600 x 500 x 400	22.00	42007
WM 6.6.4	19" WALL MOUNTING CABINET	12U	600 x 600 x 400	24.40	42000
WM 6.8.4	19" WALL MOUNTING CABINET	16U	600 x 800 x 400	26.50	42010
WM 6.10.4	19" WALL MOUNTING CABINET	21U	600 x 1000 x 400	28.00	42020
WM 6.6.6	19" WALL MOUNTING CABINET	12U	600 x 600 x 600	31.80	42030
WM 6.8.6	19" WALL MOUNTING CABINET	16U	600 x 800 x 600	34.20	42040
WM 6.10.6	19" WALL MOUNTING CABINET	21U	600 x 1000 x 600	36.00	42050



* Fasteners not included.

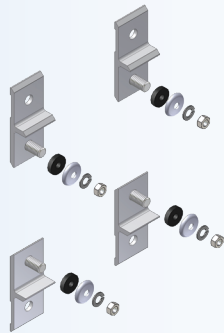
TYPE	OVERALL SIZE		MOUNTING HOLE POSITIONS		
	B	C	W1	W2	H1
WM 6.3.4	300	400	450	225	150
WM 6.4.4	400	400	450	225	250
WM 6.5.4	500	400	450	225	350
WM 6.6.4	600	400	450	225	450
WM 6.8.4	800	400	450	225	650
WM 6.10.4	1000	400	450	225	850
WM 6.6.6	600	600	450	225	450
WM 6.8.6	800	600	450	225	650
WM 6.10.6	1000	600	450	225	850



19" SWING CABINET ■

19" SVING KABINET ■

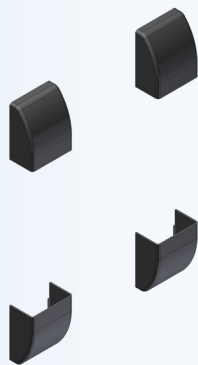
TYPE	DESCRIPTION	U/HE	SIZE (WxHxD)	WEIGHT (kg)	ORDER NO
DOU 6.4.5	19" SWING CABINET	7U	600×400×490	21.5	42400
DOU 6.6.5	19" SWING CABINET	12U	600×600×490	26.0	42403
DOU 6.8.5	19" SWING CABINET	16U	600×800×490	30.5	42406
DOU 6.10.5	19" SWING CABINET	21U	600×1000×490	35.0	42409



BOX WALL MOUNTING BRACKETS ■

VÆG BESLAG ■

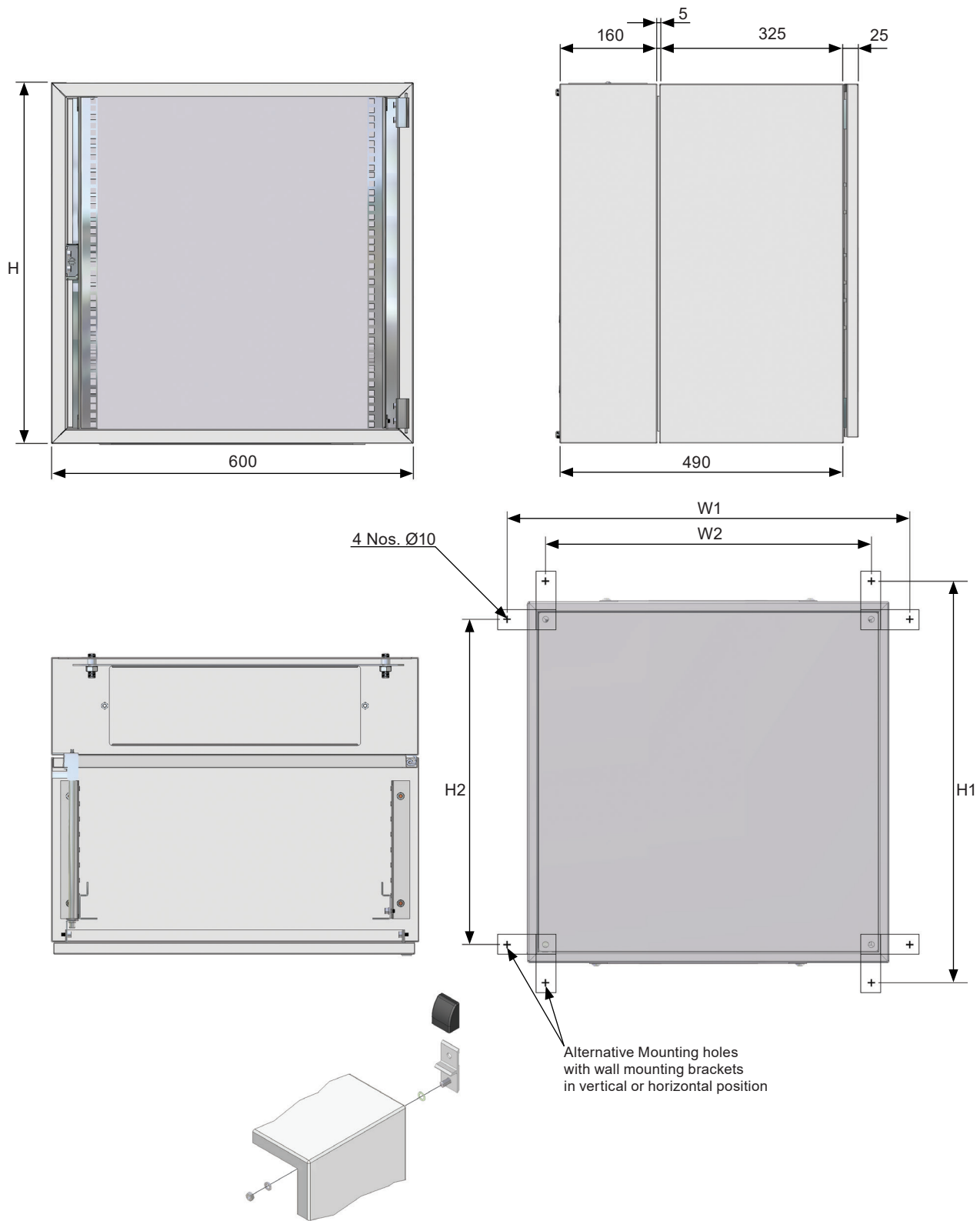
TYPE	DESCRIPTION	WEIGHT (kg)	ORDER No. Aluminium
BWB	BOX WALL MOUNTING BRACKETS	0.40	50594



WALL MOUNTING BRACKET COVERS ■

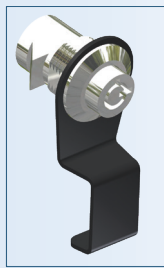
SKJULER TIL VÆGBESLAG ■

TYPE	DESCRIPTION	WEIGHT (kg)	ORDER No.
WBC	WALL MOUNTING BRACKET COVERS	0.1	50595



* Fasteners are not included.

TYPE	OVRALL SIZE (H)	MOUNTING HOLE POSITIONS			
		W1	W2	H1	H2
DOU 6.4.5	400	640	560	440	360
DOU 6.6.5	600	640	560	640	560
DOU 6.8.5	800	640	560	840	760
DOU 6.10.5	1000	640	560	1040	960



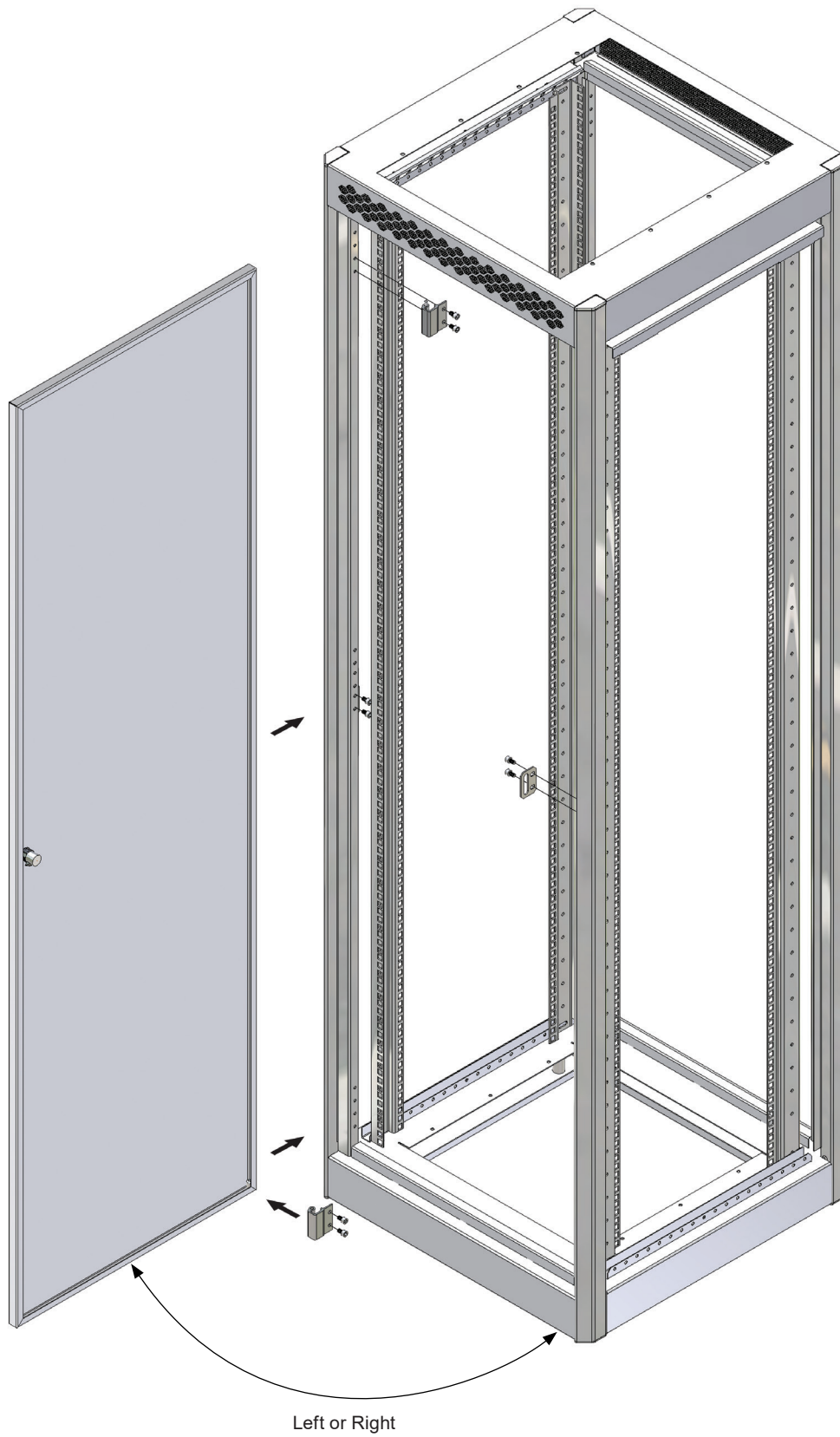
INCL

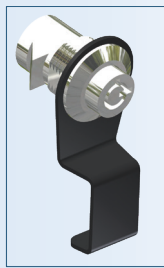


STEEL DOOR ■

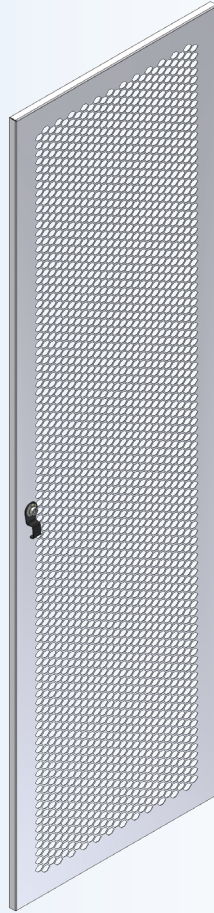
STÅLDØR ■

TYPE	DESCRIPTION	SIZE (W×H)	LOCKS	WEIGHT (kg)	ORDER NO
SFSD 6.10	STEEL DOOR	600 × 1000	1	5.17	43000
SFSD 6.12	STEEL DOOR	600 × 1200	1	6.34	43010
SFSD 6.14	STEEL DOOR	600 × 1400	1	7.51	43020
SFSD 6.16	STEEL DOOR	600 × 1600	1	8.68	43030
SFSD 6.18	STEEL DOOR	600 × 1800	1	9.85	43040
SFSD 6.20	STEEL DOOR	600 × 2000	1	11.02	43050
SFSD 6.22	STEEL DOOR	600 × 2200	1	12.19	43060
SFSD 8.10	STEEL DOOR	800 × 1000	1	6.90	43100
SFSD 8.12	STEEL DOOR	800 × 1200	1	8.46	43110
SFSD 8.14	STEEL DOOR	800 × 1400	1	10.02	43120
SFSD 8.16	STEEL DOOR	800 × 1600	1	11.58	43130
SFSD 8.18	STEEL DOOR	800 × 1800	1	13.14	43140
SFSD 8.20	STEEL DOOR	800 × 2000	1	14.70	43150
SFSD 8.22	STEEL DOOR	800 × 2200	1	16.26	43160





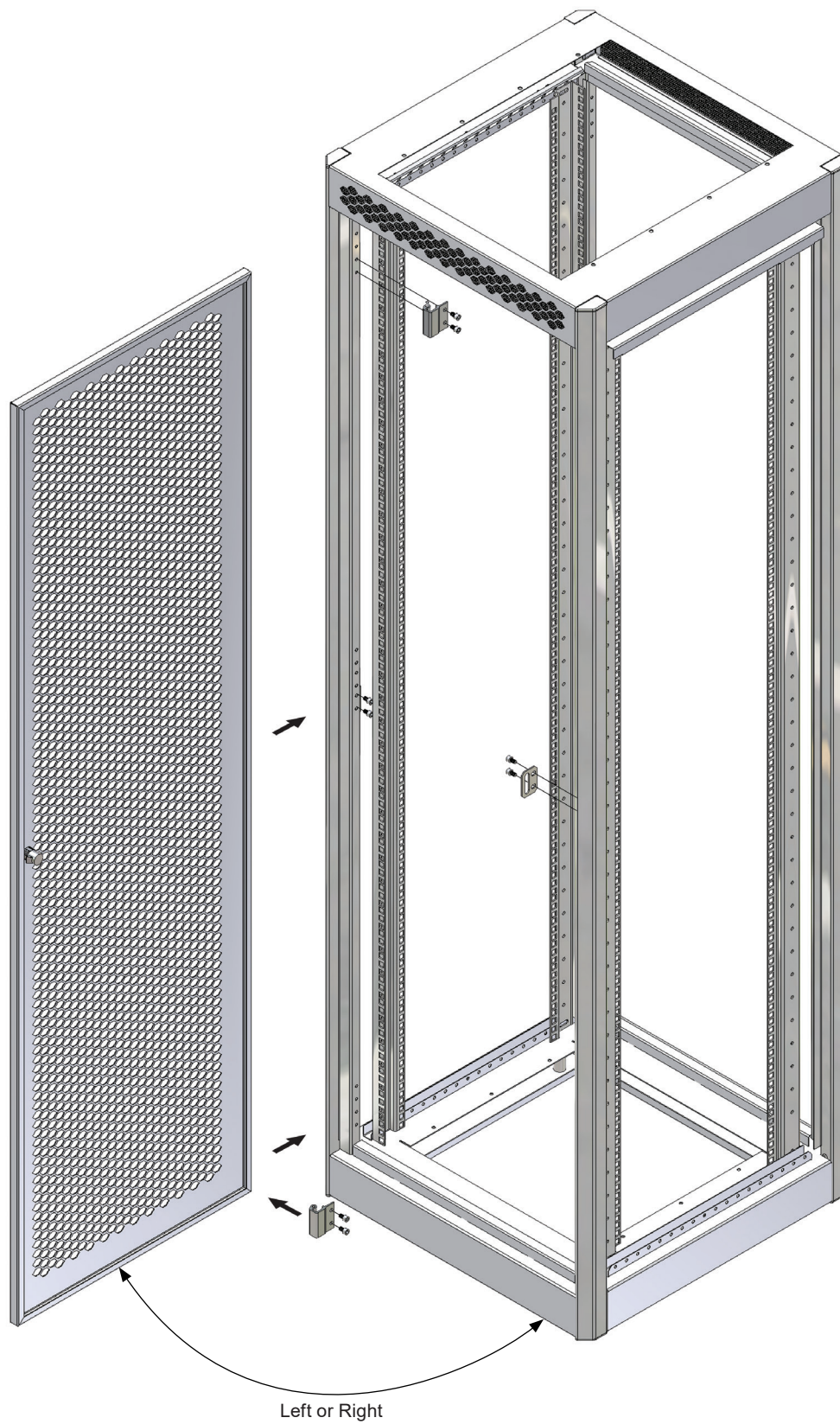
INCL

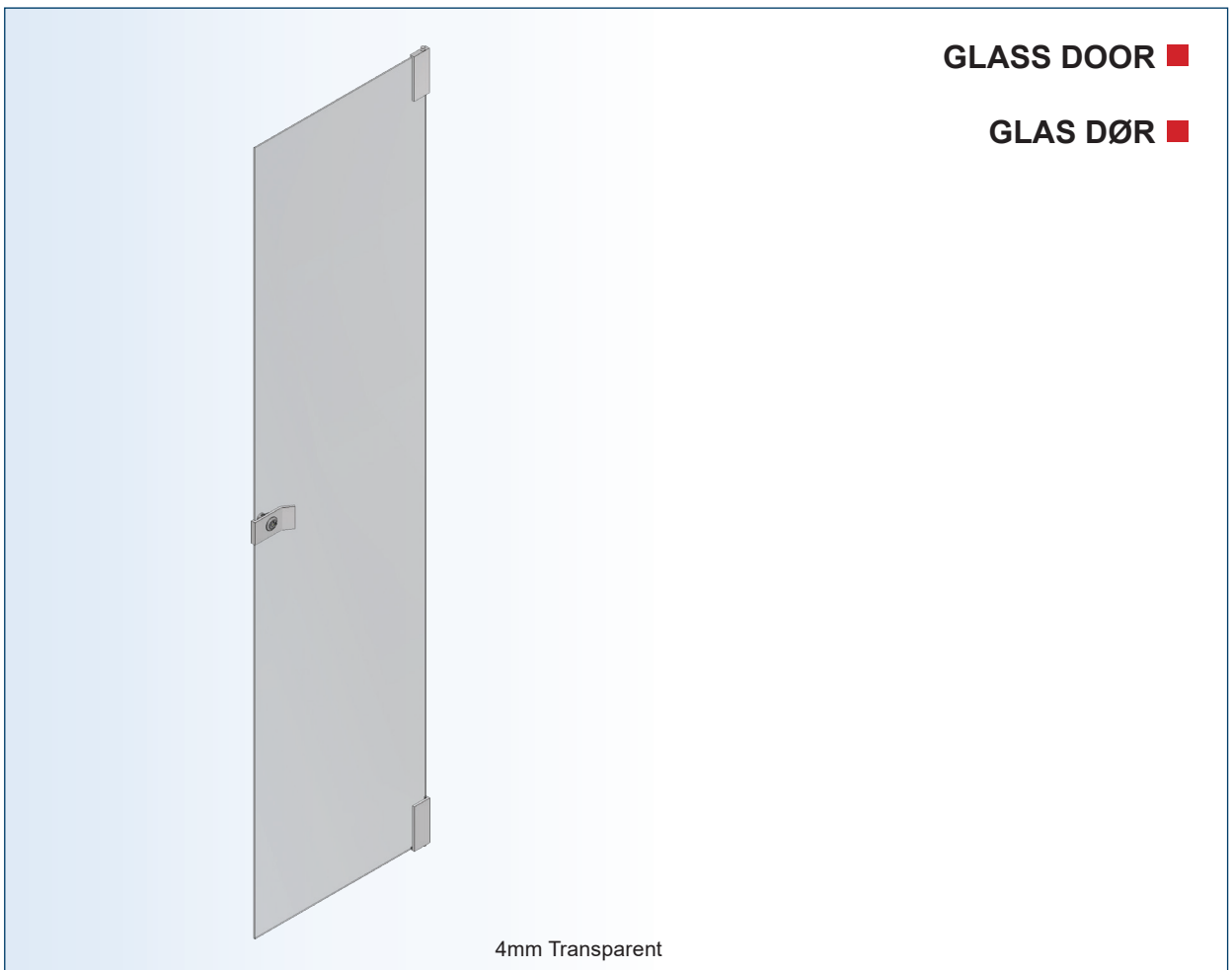


STEEL DOOR WITH MESH ■

STÅLDØR MED HULLER ■

TYPE	DESCRIPTION	SIZE (W×H)	LOCKS	WEIGHT (kg)	ORDER NO
SFDM 6.10	STEEL DOOR WITH MESH	600 × 1000	1	4.50	43200
SFDM 6.12	STEEL DOOR WITH MESH	600 × 1200	1	5.52	43210
SFDM 6.14	STEEL DOOR WITH MESH	600 × 1400	1	6.53	43220
SFDM 6.16	STEEL DOOR WITH MESH	600 × 1600	1	7.55	43230
SFDM 6.18	STEEL DOOR WITH MESH	600 × 1800	1	8.56	43240
SFDM 6.20	STEEL DOOR WITH MESH	600 × 2000	1	9.58	43250
SFDM 6.22	STEEL DOOR WITH MESH	600 × 2200	1	10.60	43260
SFDM 8.10	STEEL DOOR WITH MESH	800 × 1000	1	6.02	43300
SFDM 8.12	STEEL DOOR WITH MESH	800 × 1200	1	7.37	43310
SFDM 8.14	STEEL DOOR WITH MESH	800 × 1400	1	8.73	43320
SFDM 8.16	STEEL DOOR WITH MESH	800 × 1600	1	10.09	43330
SFDM 8.18	STEEL DOOR WITH MESH	800 × 1800	1	11.45	43340
SFDM 8.20	STEEL DOOR WITH MESH	800 × 2000	1	12.81	43350
SFDM 8.22	STEEL DOOR WITH MESH	800 × 2200	1	14.17	43360



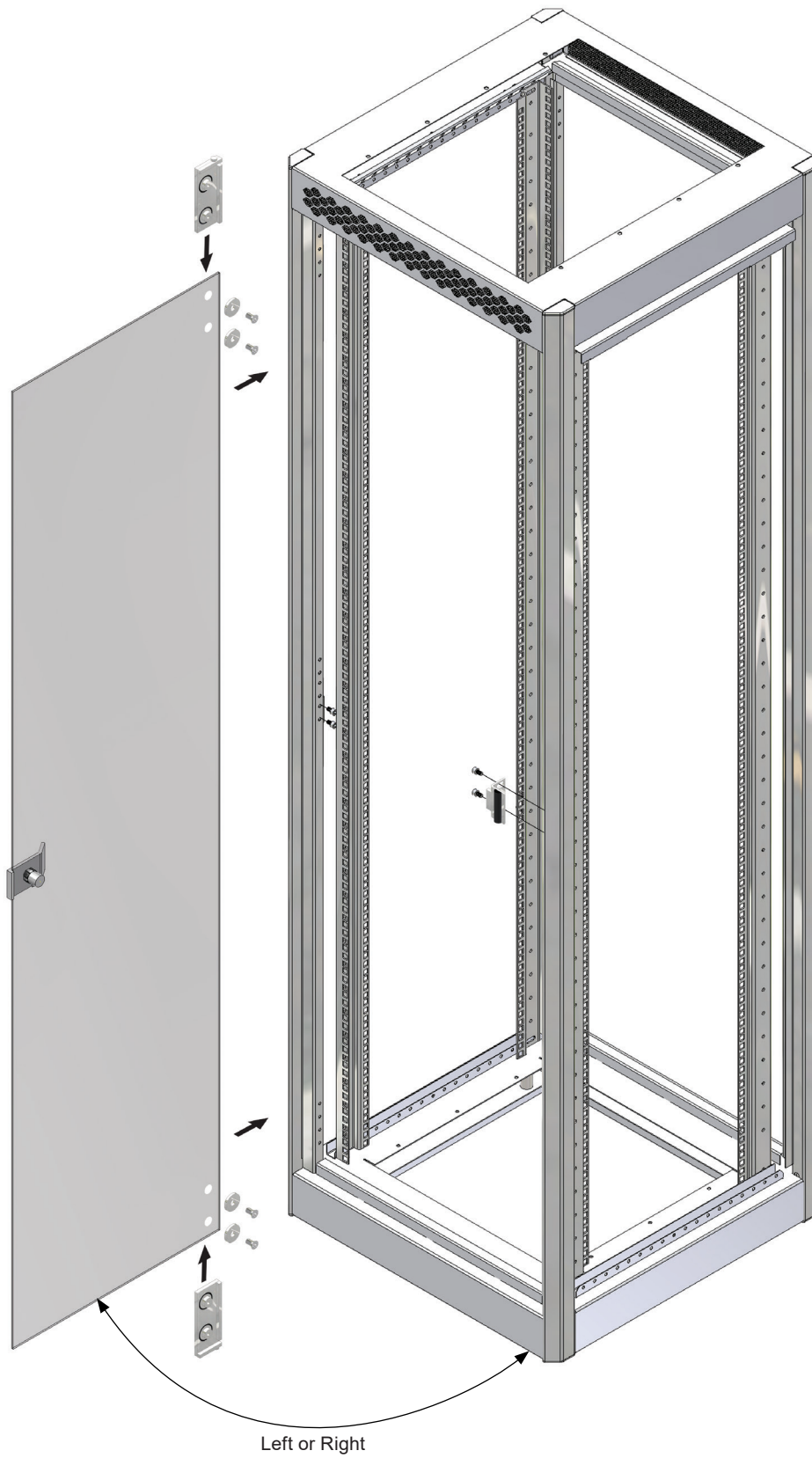


GLASS DOOR ■

GLAS DØR ■

4mm Transparent

TYPE	DESCRIPTION	SIZE (W×H)	LOCKS	WEIGHT (kg)	ORDER NO
SFGD 6.10	GLASS DOOR	600 × 1000	1	5.92	43400
SFGD 6.12	GLASS DOOR	600 × 1200	1	7.09	43410
SFGD 6.14	GLASS DOOR	600 × 1400	1	8.26	43420
SFGD 6.16	GLASS DOOR	600 × 1600	1	9.43	43430
SFGD 6.18	GLASS DOOR	600 × 1800	1	10.60	43440
SFGD 6.20	GLASS DOOR	600 × 2000	1	11.77	43450
SFGD 6.22	GLASS DOOR	600 × 2200	1	12.94	43460
SFGD 8.10	GLASS DOOR	800 × 1000	1	7.65	43500
SFGD 8.12	GLASS DOOR	800 × 1200	1	9.21	43510
SFGD 8.14	GLASS DOOR	800 × 1400	1	10.77	43520
SFGD 8.16	GLASS DOOR	800 × 1600	1	12.33	43530
SFGD 8.18	GLASS DOOR	800 × 1800	1	13.89	43540
SFGD 8.20	GLASS DOOR	800 × 2000	1	15.45	43550
SFGD 8.22	GLASS DOOR	800 × 2200	1	17.01	43560

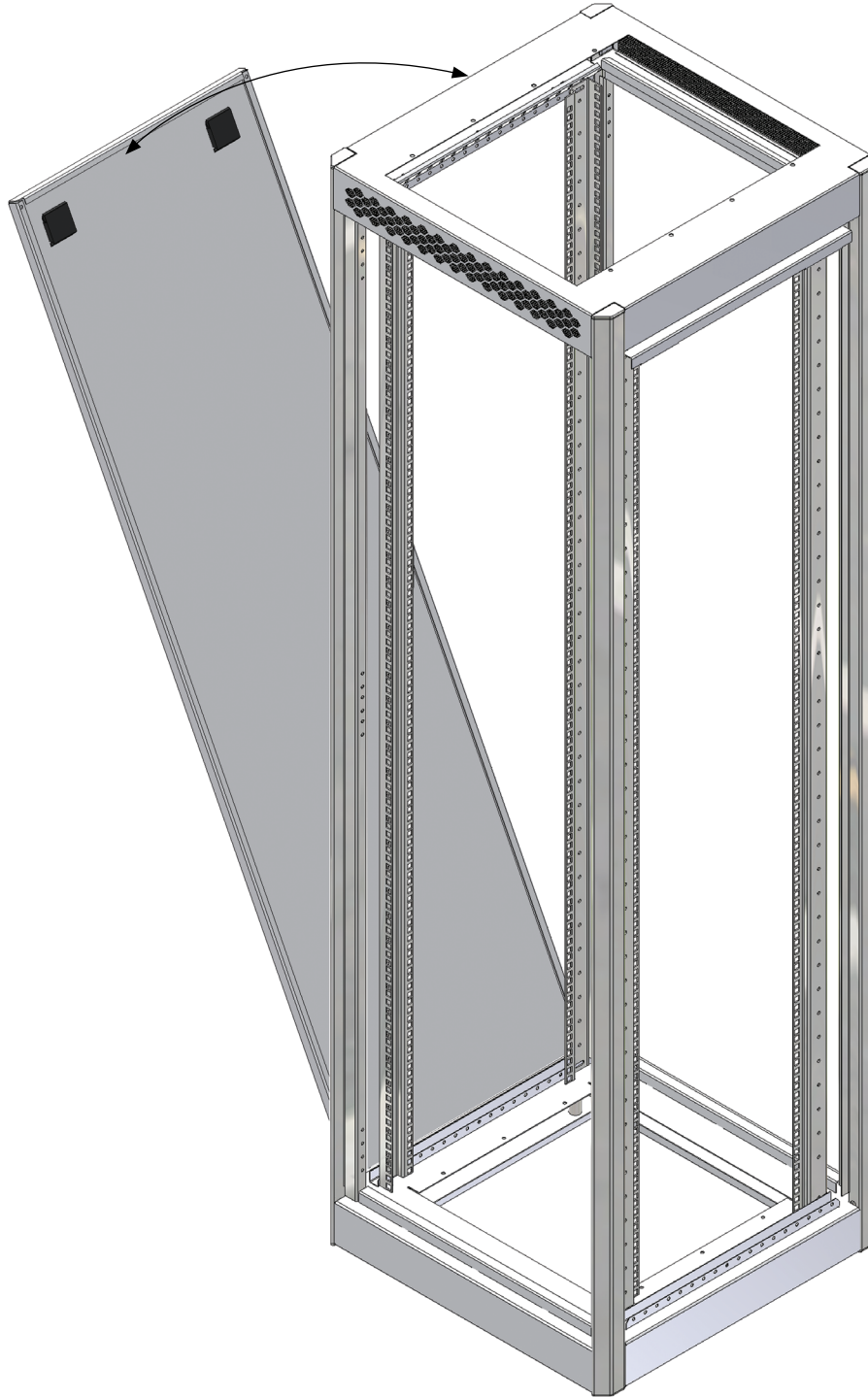


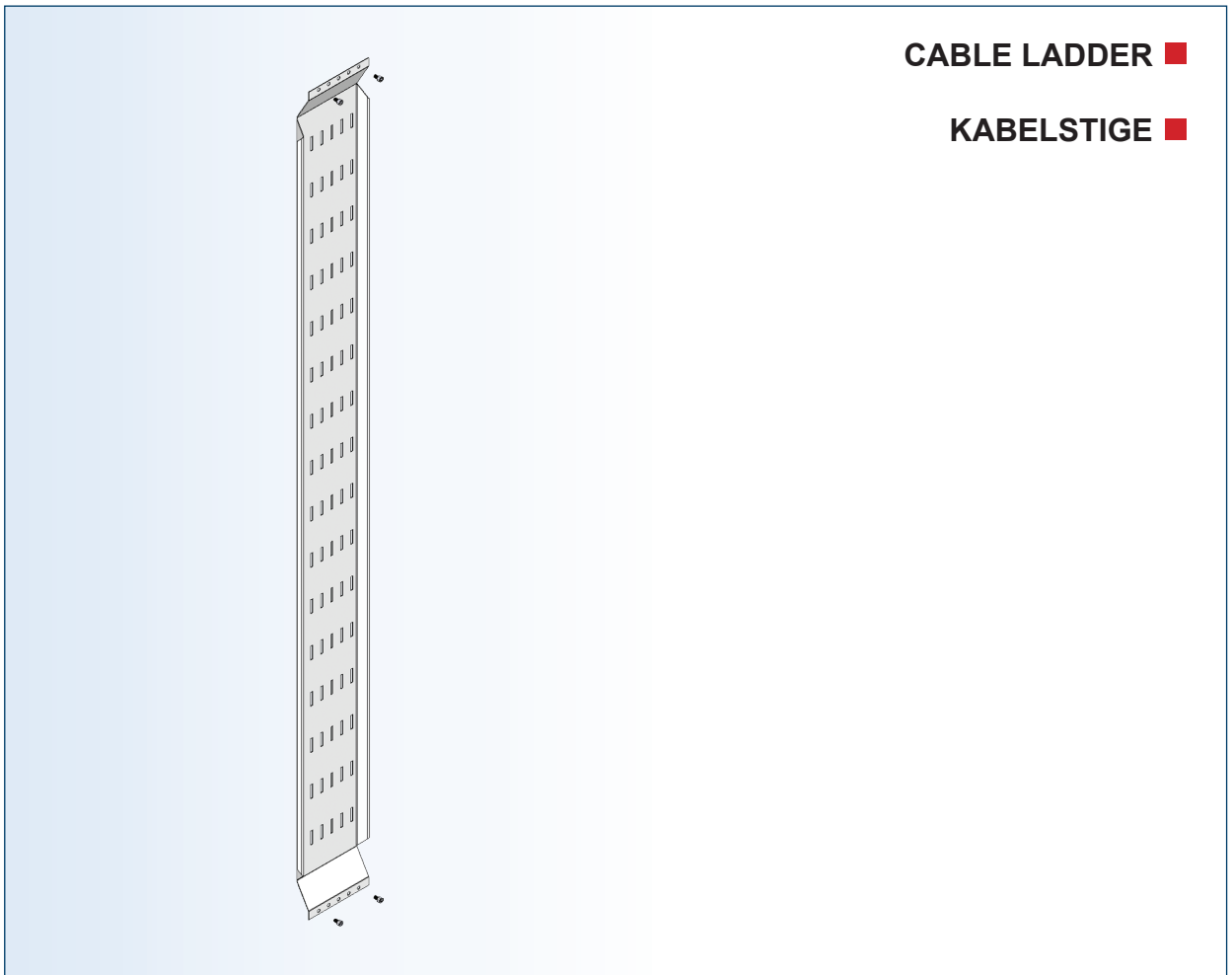


SIDE COVER ■

SIDE PLADE ■

TYPE	DESCRIPTION	SIZE (W×H)	LOCKS	WEIGHT (kg)	ORDER NO
SFSC 6.10	SIDE COVER	600 × 1000	1	4.91	43600
SFSC 6.12	SIDE COVER	600 × 1200	1	5.98	43610
SFSC 6.14	SIDE COVER	600 × 1400	1	7.05	43620
SFSC 6.16	SIDE COVER	600 × 1600	1	8.13	43630
SFSC 6.18	SIDE COVER	600 × 1800	1	9.20	43640
SFSC 6.20	SIDE COVER	600 × 2000	1	10.27	43650
SFSC 6.22	SIDE COVER	600 × 2200	1	11.34	43660
SFSC 8.10	SIDE COVER	800 × 1000	1	6.67	43700
SFSC 8.12	SIDE COVER	800 × 1200	1	8.13	43710
SFSC 8.14	SIDE COVER	800 × 1400	1	9.59	43720
SFSC 8.16	SIDE COVER	800 × 1600	1	11.04	43730
SFSC 8.18	SIDE COVER	800 × 1800	1	12.50	43740
SFSC 8.20	SIDE COVER	800 × 2000	1	13.95	43750
SFSC 8.22	SIDE COVER	800 × 2200	1	15.41	43760

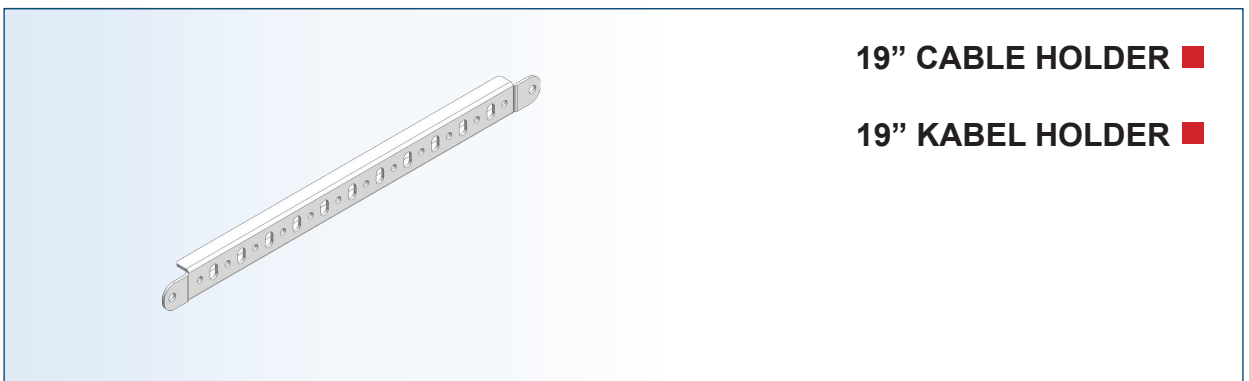




CABLE LADDER ■

KABELSTIGE ■

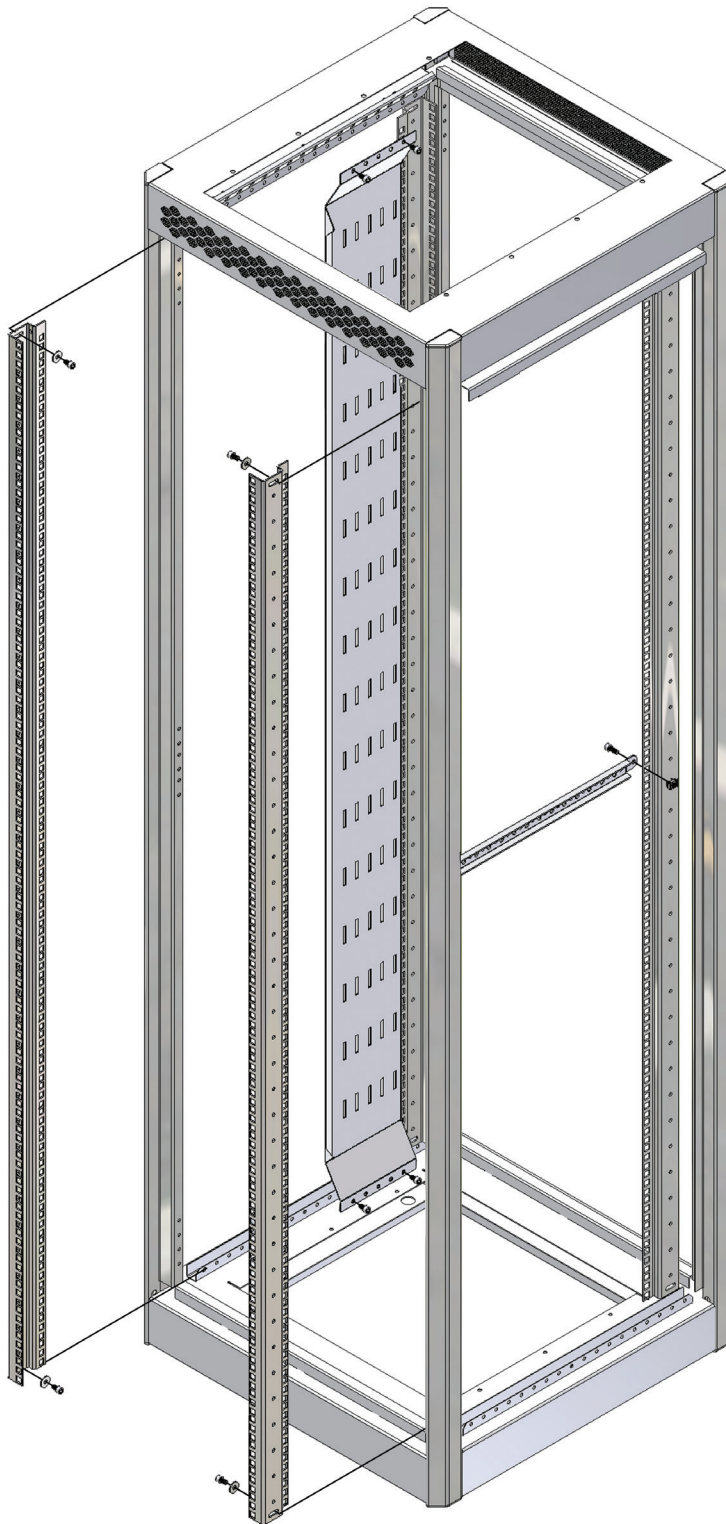
TYPE	DESCRIPTION	U/HE	SIZE	WEIGHT (kg)	ORDER NO
SFCL 10	CABLE LADDER	17U	1000	1.62	43800
SFCL 12	CABLE LADDER	22U	1200	2.01	43810
SFCL 14	CABLE LADDER	26U	1400	2.38	43820
SFCL 16	CABLE LADDER	31U	1600	2.76	43830
SFCL 18	CABLE LADDER	35U	1800	3.14	43840
SFCL 20	CABLE LADDER	40U	2000	3.52	43850
SFCL 22	CABLE LADDER	44U	2200	3.91	43860

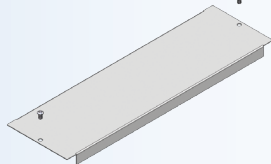


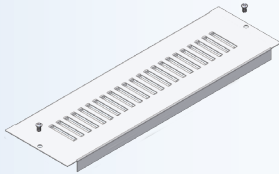
19" CABLE HOLDER ■

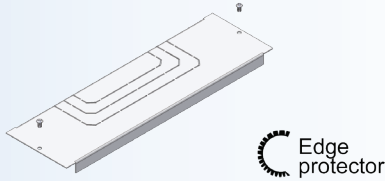
19" KABEL HOLDER ■

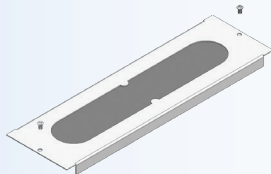
TYPE	DESCRIPTION	SIZE	WEIGHT (kg)	ORDER NO
CBH 175	19" CABLE HOLDER	175	0.10	41150
CBH 325	19" CABLE HOLDER	325	0.18	41160
CBH 525	19" CABLE HOLDER	525	0.30	41170

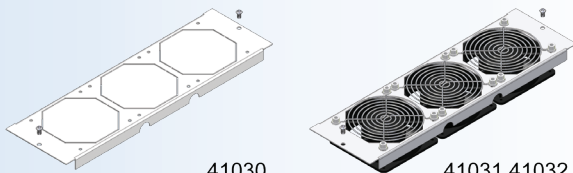


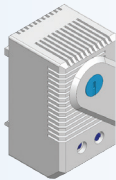
		BLANK COVER ■ BLIND PLAQUE ■			
		TYPE	DESCRIPTION	SIZE	WEIGHT (kg)
BC	BLANK COVER	600 × 130	0.62	41000	

		LOUVRE PLATE ■ GÆLLE PLAQUE ■			
		TYPE	DESCRIPTION	SIZE	WEIGHT (kg)
LP	LOUVRE PLATE	600 × 130	0.62	41010	

		CABLE GLAND PLATE ■ KABELGENNEMFØRINGS PLAQUE ■			
		TYPE	DESCRIPTION	SIZE	WEIGHT (kg)
CP	CABLE GLAND PLATE	600 × 130	0.62	41020	

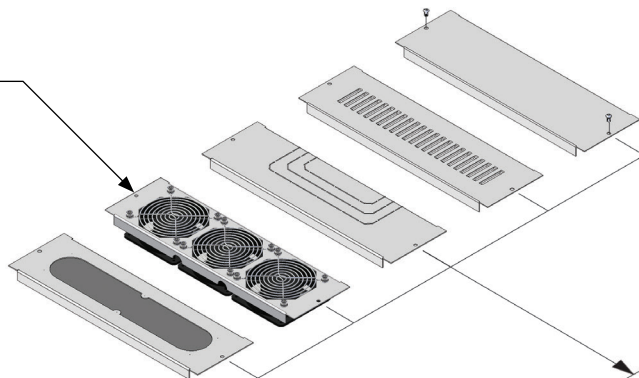
		QUICK GLAND PLATE ■ QUICK GLAND PLATE ■			
		TYPE	DESCRIPTION	SIZE	WEIGHT (kg)
QP	QUICK GLAND PLATE	600 × 130	0.66	41037	

		FAN PLATES ■ VENTILATOR PLAQUE ■			
		TYPE	DESCRIPTION	SIZE	WEIGHT (kg)
FAP	FAN PLATE	600 × 130	0.62	41030	
FAP 230	FAN PLATE WITH FAN 230V AC	600 × 130	0.62	41031	
FAP 12	FAN PLATE WITH FAN 12V DC	600 × 130	0.62	41032	

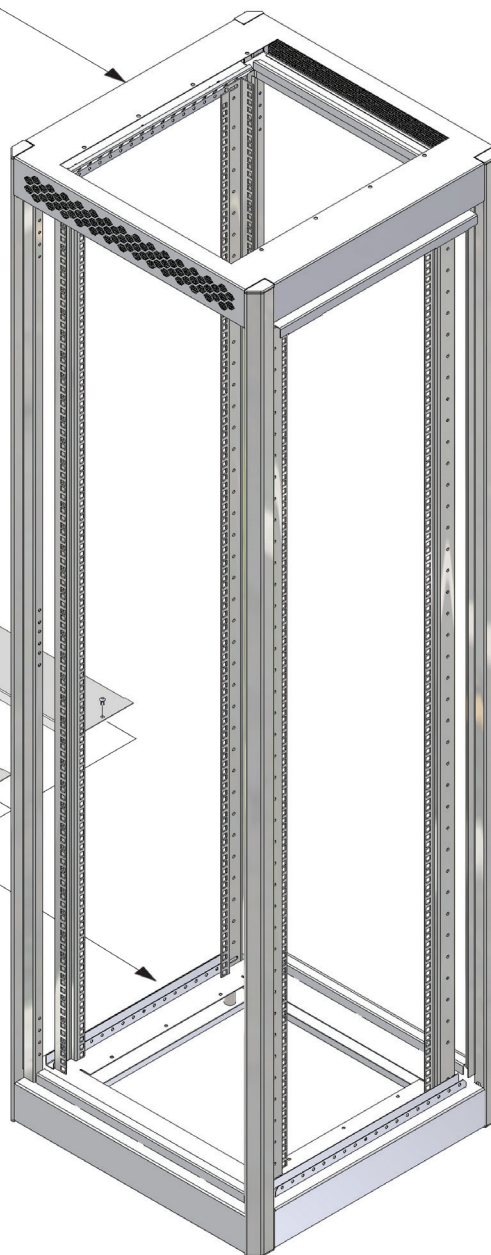
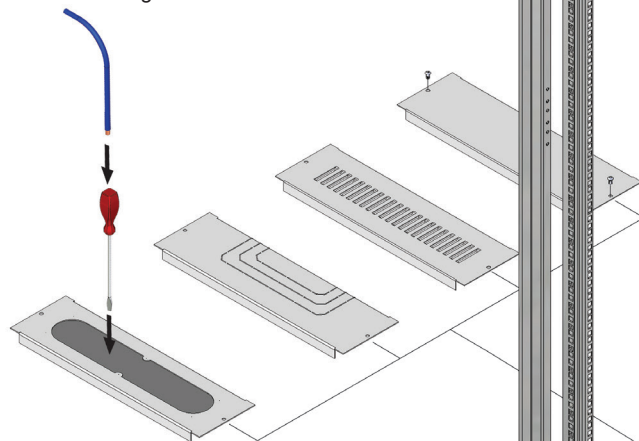
		THERMOSTAT ■ TERMOSTAT ■			
		TYPE	DESCRIPTION	WEIGHT (kg)	ORDER NO
TEM	THERMOSTAT 0 - 60°C		0.36	42453	

Combine any way you like.

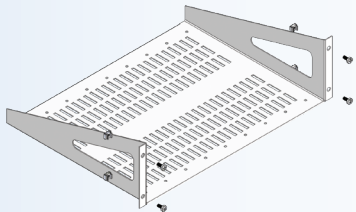
Fan 230V AC
 Air flow : 87-107 CFM
 (144-178m³/h)



Punch a hole with a screw driver
 and press the cable through



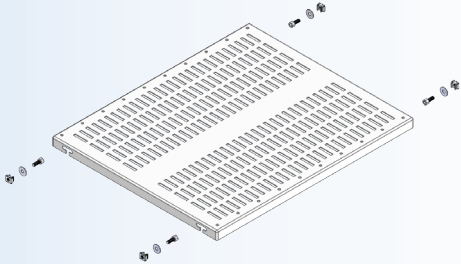
CABINET SIZE (W×D)	NO. OF GLANDS	
	TOP	BOTTOM
600×600	4	3
600×800	5	5
800×600	4	3
800×800	5	4



TRAY ■

BAKKE ■

TYPE	DESCRIPTION	SIZE (W×H)	WEIGHT (kg)	ORDER NO
TR	TRAY	600 × 3U	2.5	41590



19" SHELVES ■

19" HYLDE ■

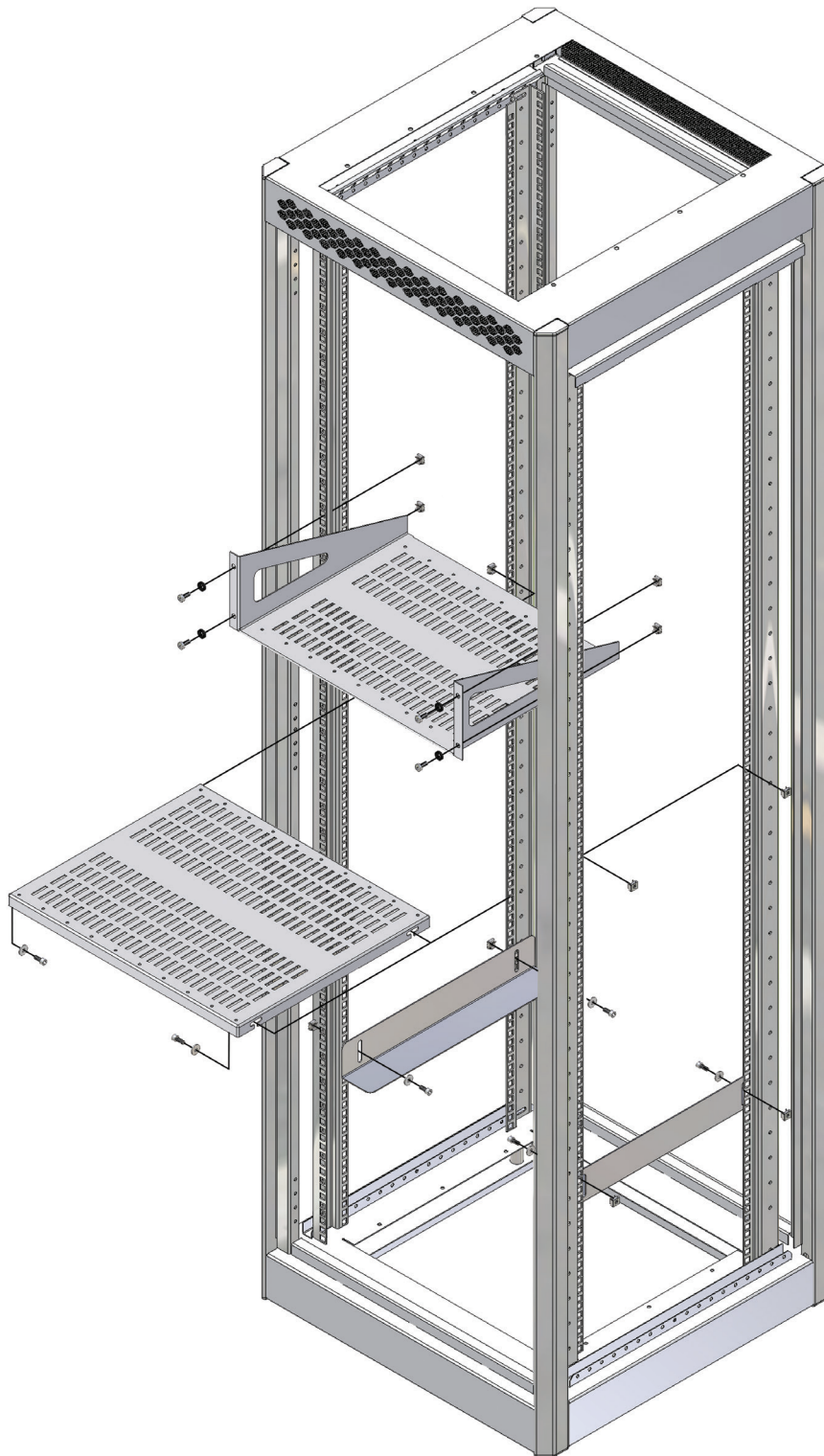
TYPE	DESCRIPTION	SIZE (W×H)	WEIGHT (kg)	ORDER NO
SHE 6.2,5	19" SHELVES	600 × 250	1.60	41045
SHE 6.4	19" SHELVES	600 × 400	2.25	41050
SHE 6.5	19" SHELVES	600 × 500	2.91	41055
SHE 6.6	19" SHELVES	600 × 600	3.37	41060

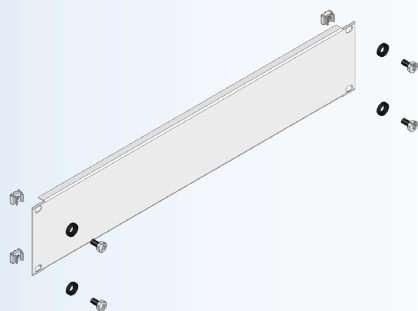


19" SUPPORT RAILS ■

19" SUPPORT SKINNE ■

TYPE	DESCRIPTION	SIZE (DEPTH)	WEIGHT (kg)	ORDER NO
SPR 2,5	19" SUPPORT RAILS	250	0.68	41600
SPR 4	19" SUPPORT RAILS	400	1.10	41610
SPR 5	19" SUPPORT RAILS	500	1.35	41615
SPR 6	19" SUPPORT RAILS	600	1.65	41620

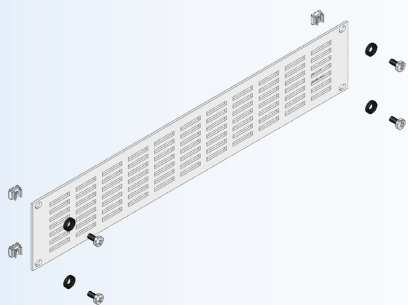




19" FRONT PANEL ■

19" FRONT PLADE ■

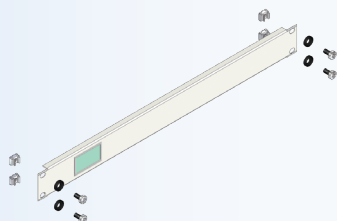
TYPE	DESCRIPTION	SIZE (W×H)	WEIGHT (kg)	ORDER NO
FP 1	19" FRONT PANEL 1.2 mm PAINTED	600 × 1U	0.25	41200
FP 2	19" FRONT PANEL 1.2 mm PAINTED	600 × 2U	0.45	41210
FP 3	19" FRONT PANEL 1.2 mm PAINTED	600 × 3U	0.66	41220
FP 4	19" FRONT PANEL 1.2 mm PAINTED	600 × 4U	0.86	41230
FP 5	19" FRONT PANEL 1.2 mm PAINTED	600 × 5U	1.60	41240
FP 1	19" FRONT PANEL 3 mm ALUMINIUM	600 × 1U	0.17	41300
FP 2	19" FRONT PANEL 3 mm ALUMINIUM	600 × 2U	0.32	41310
FP 3	19" FRONT PANEL 3 mm ALUMINIUM	600 × 3U	0.47	41320
FP 4	19" FRONT PANEL 3 mm ALUMINIUM	600 × 4U	0.62	41325
FP 5	19" FRONT PANEL 3 mm ALUMINIUM	600 × 5U	0.77	41330
FP 1	19" FRONT PANEL 3 mm ALUMINIUM PAINTED	600 × 1U	0.17	41400
FP 2	19" FRONT PANEL 3 mm ALUMINIUM PAINTED	600 × 2U	0.32	41410
FP 3	19" FRONT PANEL 3 mm ALUMINIUM PAINTED	600 × 3U	0.47	41420
FP 4	19" FRONT PANEL 3 mm ALUMINIUM PAINTED	600 × 4U	0.62	41425
FP 5	19" FRONT PANEL 3 mm ALUMINIUM PAINTED	600 × 5U	0.77	41430



**19" FRONT PANEL ■
WITH LOUVRES**

**19" FRONT PLADE ■
MED GÆLLER**

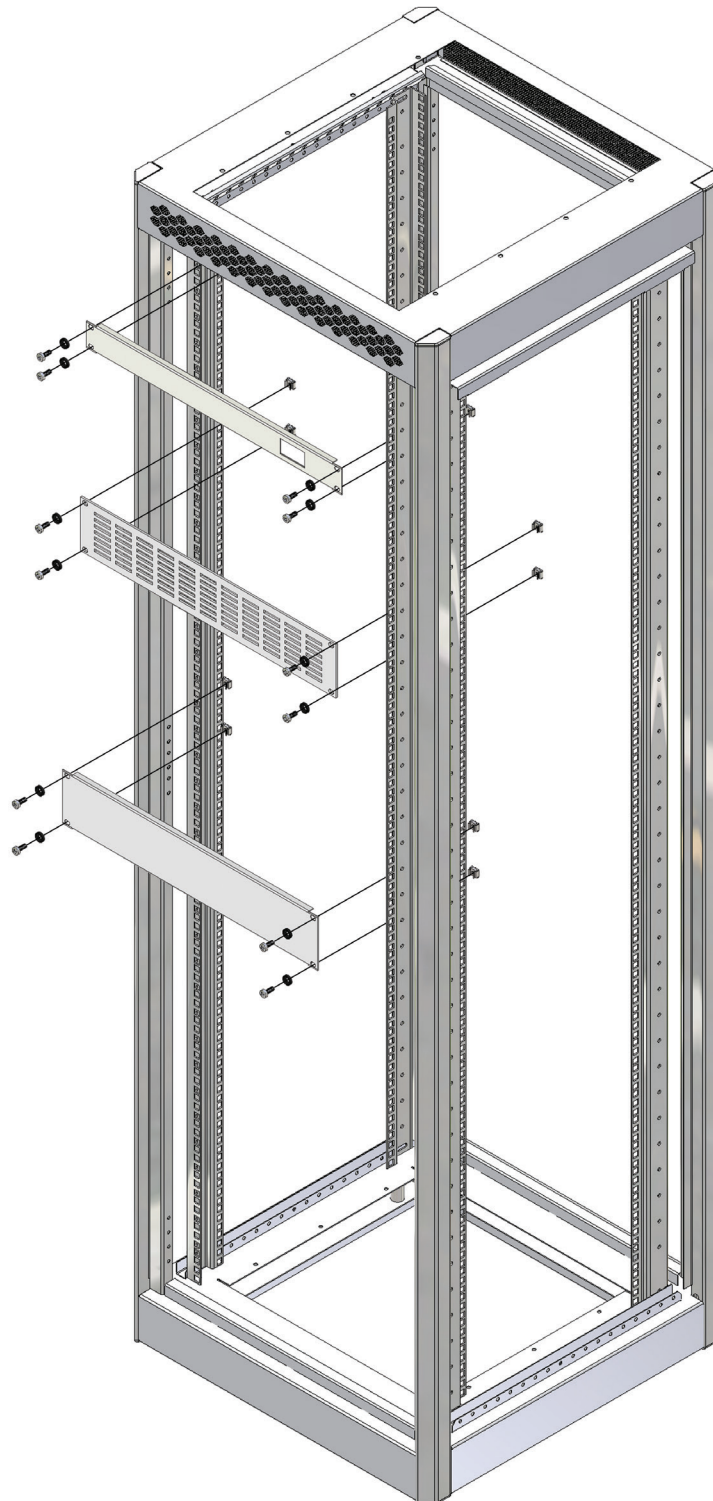
TYPE	DESCRIPTION	SIZE (DEPTH)	WEIGHT (kg)	ORDER NO
GP 1	19" FRONT PANEL WITH LOUVRES 3 mm ALUMINIUM PAINTED	600 × 1U	0.13	41500
GP 2	19" FRONT PANEL WITH LOUVRES 3 mm ALUMINIUM PAINTED	600 × 2U	0.22	41510
GP 3	19" FRONT PANEL WITH LOUVRES 3 mm ALUMINIUM PAINTED	600 × 3U	0.35	41520
GP 4	19" FRONT PANEL WITH LOUVRES 3 mm ALUMINIUM PAINTED	600 × 4U	0.50	41525
GP 5	19" FRONT PANEL WITH LOUVRES 3 mm ALUMINIUM PAINTED	600 × 5U	0.60	41530

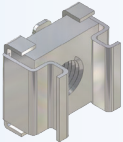


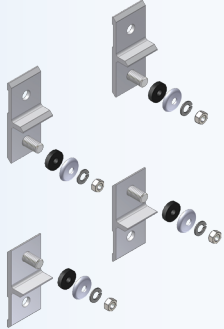
**19" FRONT PANEL ■
WITH THERMOMETER**

**19" FRONT PLADE ■
MED TERMOMETER**

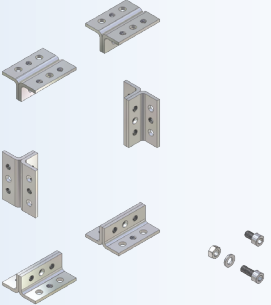
TYPE	DESCRIPTION	SIZE (W×H)	WEIGHT (kg)	ORDER NO
FPT	19" FRONT PANEL WITH THERMOMETER	600 × 1U	0.42	41206

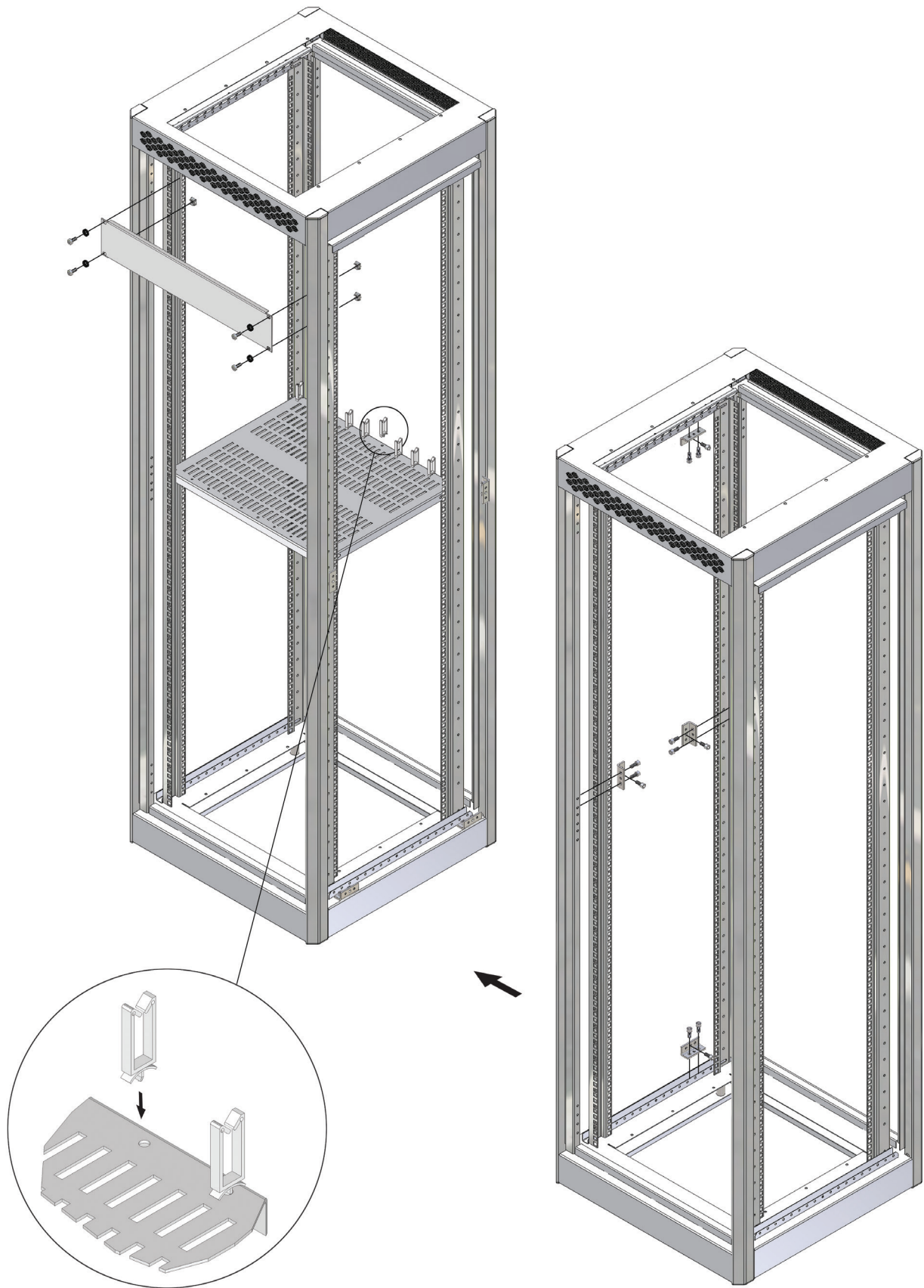


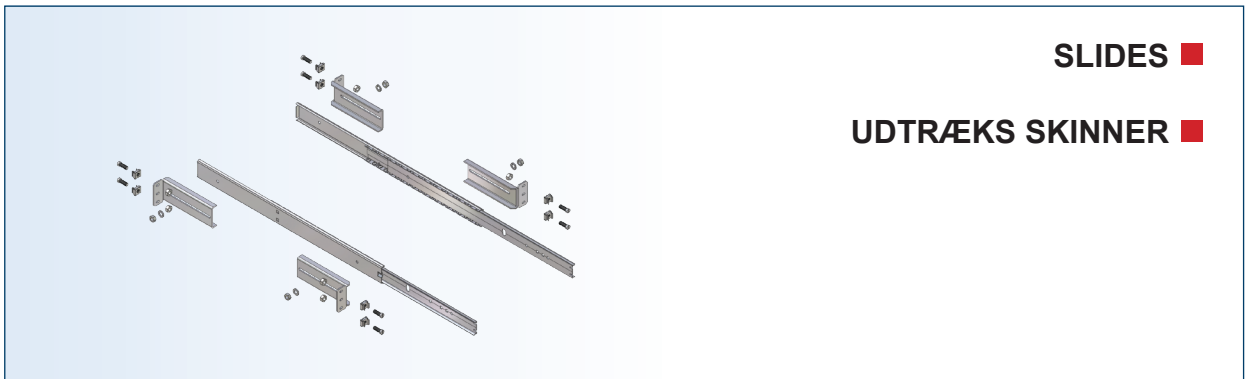
		CLIP NUT ■ CLIPS MØTRIK ■		
		× 100 NOS		
TYPE	DESCRIPTION	SIZE	WEIGHT (kg)	ORDER NO
CLN	CLIP NUT	10 × 10 / M6	0.02	41700

		SCREWS AND WASHERS ■ FRONT PLADE SKRUER ■ OG SKIVER		
TYPE	DESCRIPTION	SIZE	WEIGHT (kg)	ORDER NO
SAW	SCREWS AND WASHERS	M6	0.02	41720

		19" CABLE CLIP ■ 19" KABEL HOLDER ■		
TYPE	DESCRIPTION	WEIGHT (kg)	ORDER NO	
CAL	19" CABLE CLIP	0.02	41750	

		ASSEMBLY BRACKETS ■ SAMMEN SPÆNDINGS BESLAG ■		
		M6×8 - 24 NOS M6×16 - 06 NOS		
TYPE	DESCRIPTION	SIZE	WEIGHT (kg)	ORDER NO
ASB	ASSEMBLY BRACKETS	50 × 40	0.55	41760



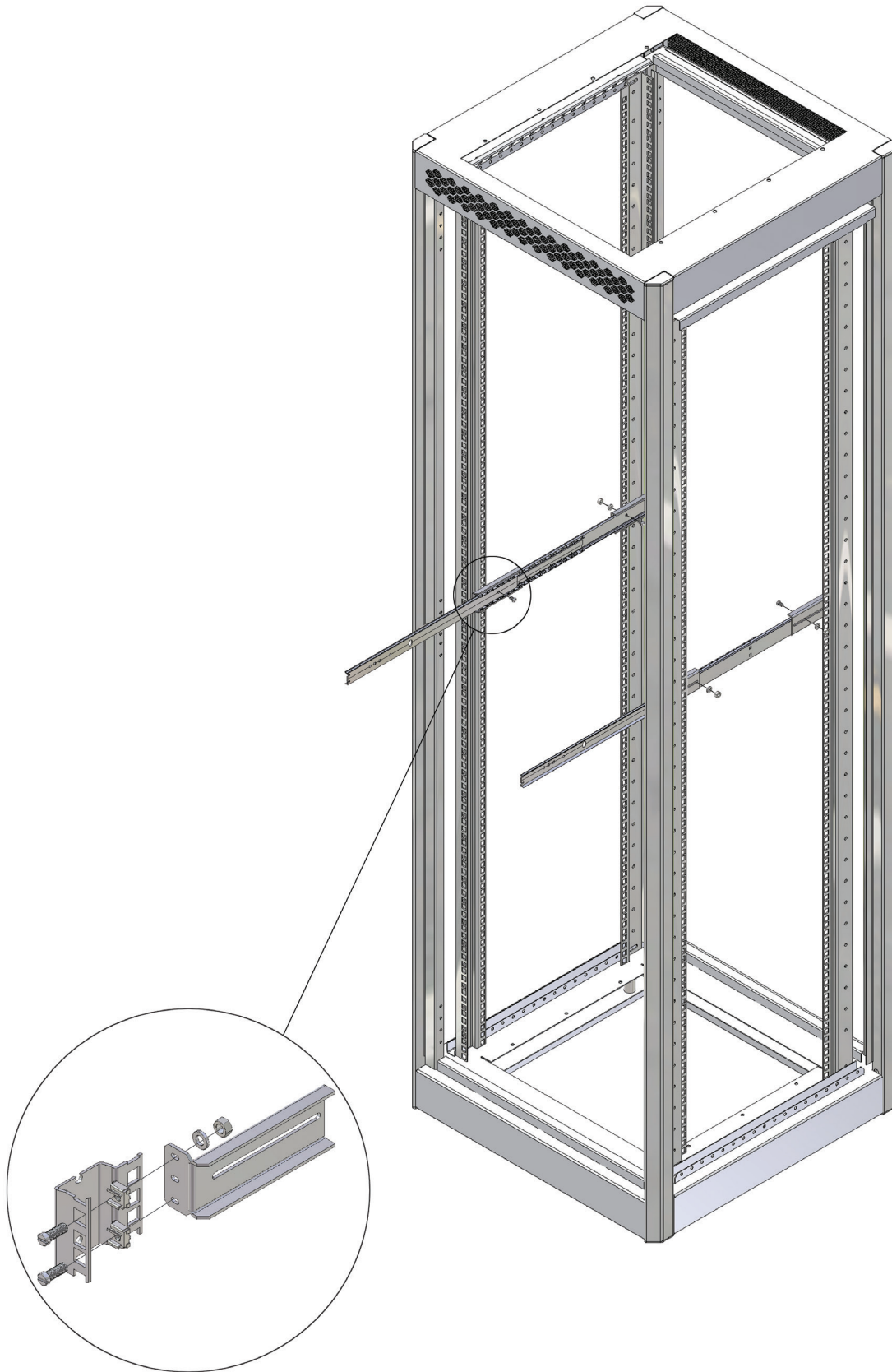


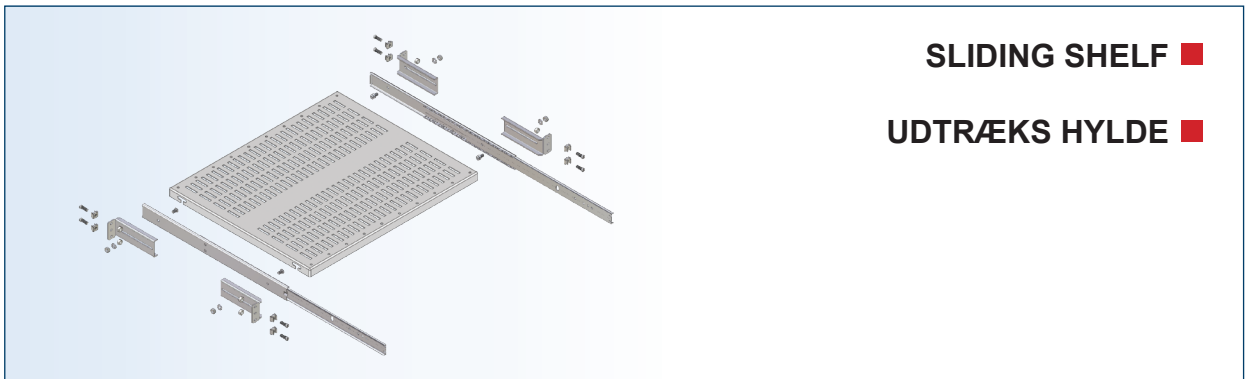
SLIDES ■

UDTRÆKS SKINNER ■

TYPE	DESCRIPTION	SIZE	MAXIMUM LOAD	WITH LATCH LOCK EXTENSION	WEIGHT (kg)	ORDER NO
SL 4	SLIDES	35 × 400	45	75 %	1.2	41810
SL 5	SLIDES	35 × 500	45	75 %	1.3	41813
SL 6	SLIDES	35 × 600	45	75 %	1.5	41816

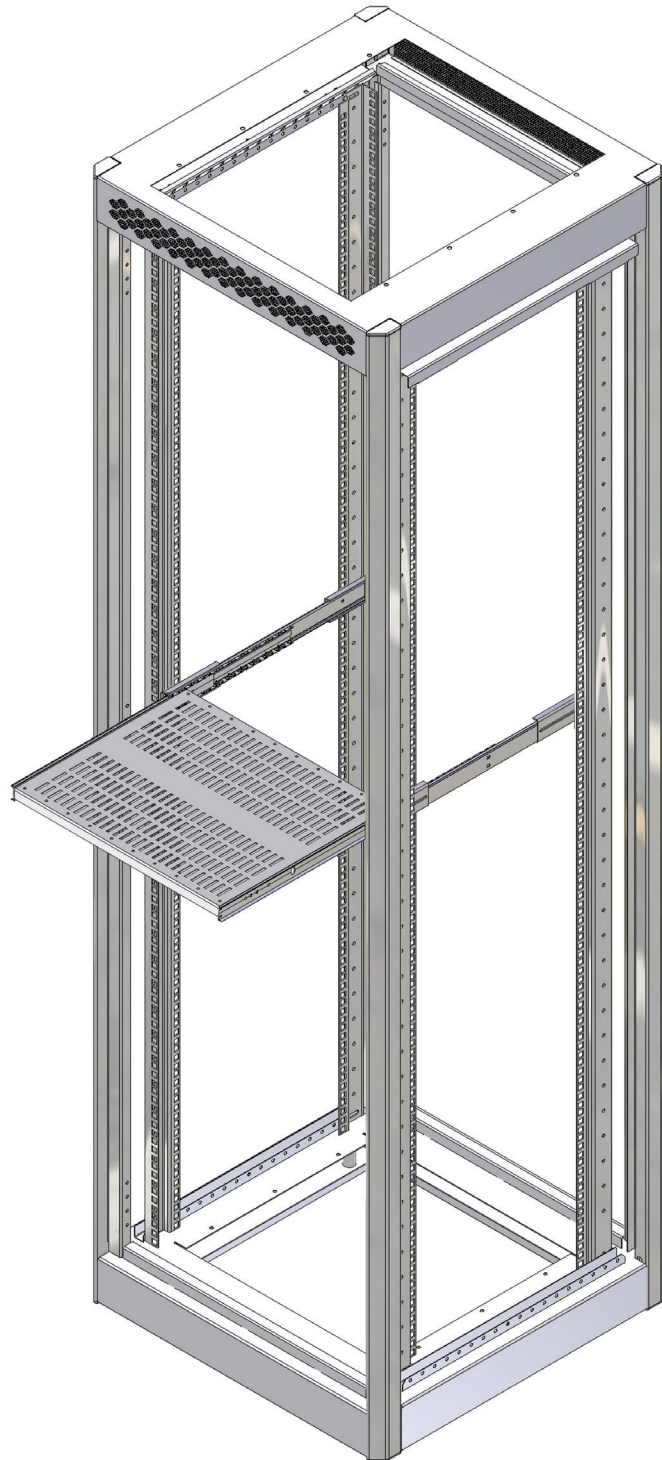
TYPE	DESCRIPTION	SIZE	MAXIMUM LOAD	WITHOUT LATCH LOCK EXTENSION	WEIGHT (kg)	ORDER NO
SLD 4	SLIDES	35 × 400	45	100 %	1.85	41820
SLD 5	SLIDES	35 × 500	45	100 %	2.03	41823
SLD 6	SLIDES	35 × 600	45	100 %	2.65	41826



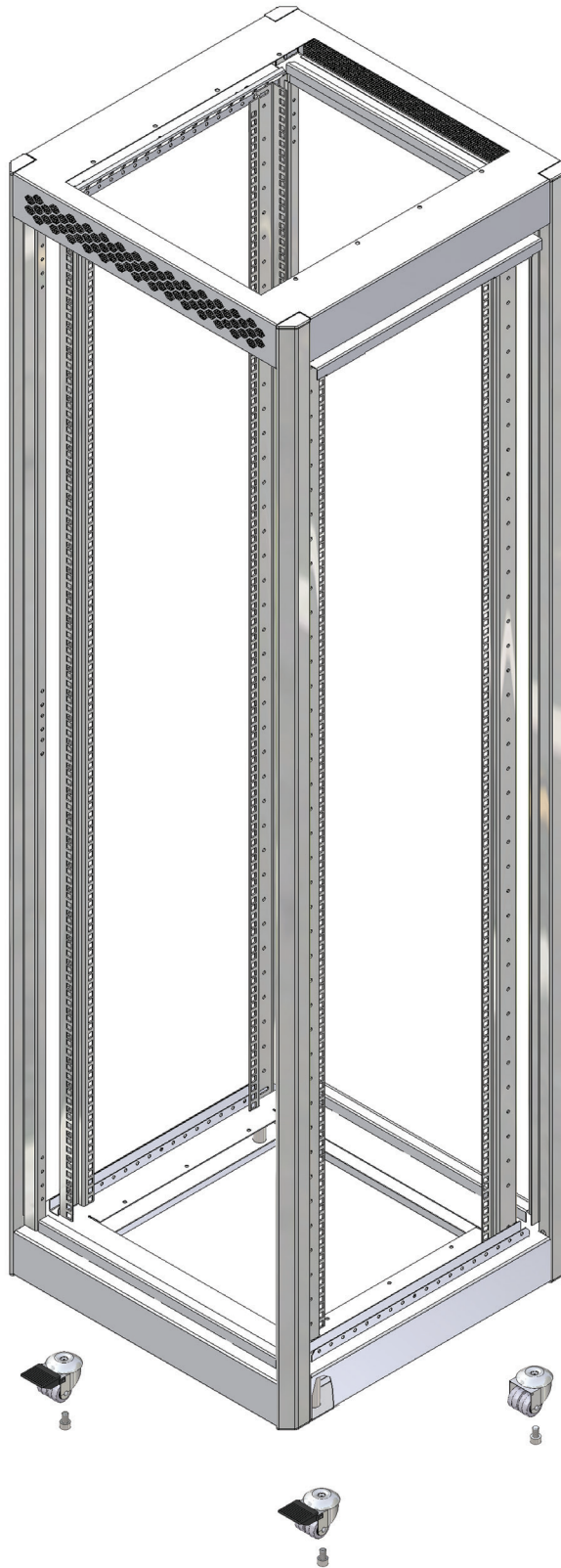


TYPE	DESCRIPTION	ACTUAL SIZE (W×H)	PANEL DEPTH	MAXIMUM LOAD	WITH LATCH LOCK EXTENSION	WEIGHT (kg)	ORDER NO
SSHL 6.4	SLIDING SHELF	416 × 400	600	45	75 %	3.0	40950
SSHL 6.5	SLIDING SHELF	416 × 500	600	45	75 %	4.2	40953
SSHL 6.6	SLIDING SHELF	416 × 600	800	45	75 %	5.7	40956

TYPE	DESCRIPTION	ACTUAL SIZE (W×H)	PANEL DEPTH	MAXIMUM LOAD	WITHOUT LATCH LOCK EXTENSION	WEIGHT (kg)	ORDER NO
SSHL 6.4	SLIDING SHELF	416 × 400	600	45	100 %	3.0	40960
SSHL 6.5	SLIDING SHELF	416 × 500	600	45	100 %	4.2	40963
SSHL 6.6	SLIDING SHELF	416 × 600	800	45	100 %	5.7	40966



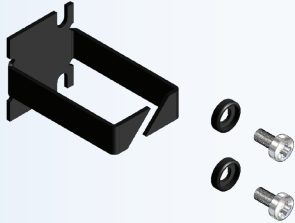
				
			CASTORS ■	
			TRANSPORT HJUL ■	
TYPE	DESCRIPTION	MAXIMUM LOAD	WEIGHT (kg)	ORDER NO
CAS	CASTORS	200 kg	1.2	41775





19" CABLE HOLDER ■
19" KABELHOLDER HORIZONTAL ■

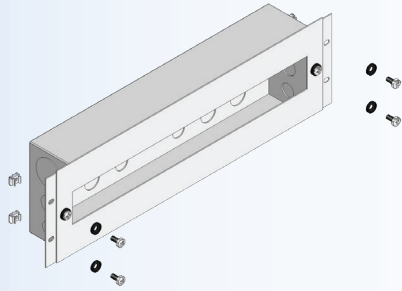
TYPE	DESCRIPTION	WEIGHT (kg)	ORDER NO
CHL	19" CABLE HOLDER	0.45	42500



19" CABLE HOLDER BRACKET ■
19" KABEL HOLDER VERTIKAL ■

TYPE	DESCRIPTION	WEIGHT (kg)	ORDER NO
CHB	19" CABLE HOLDER BRACKET	0.45	42520

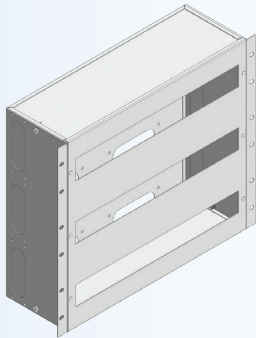




19" DIN BOX ■

19" DIN BOX ■

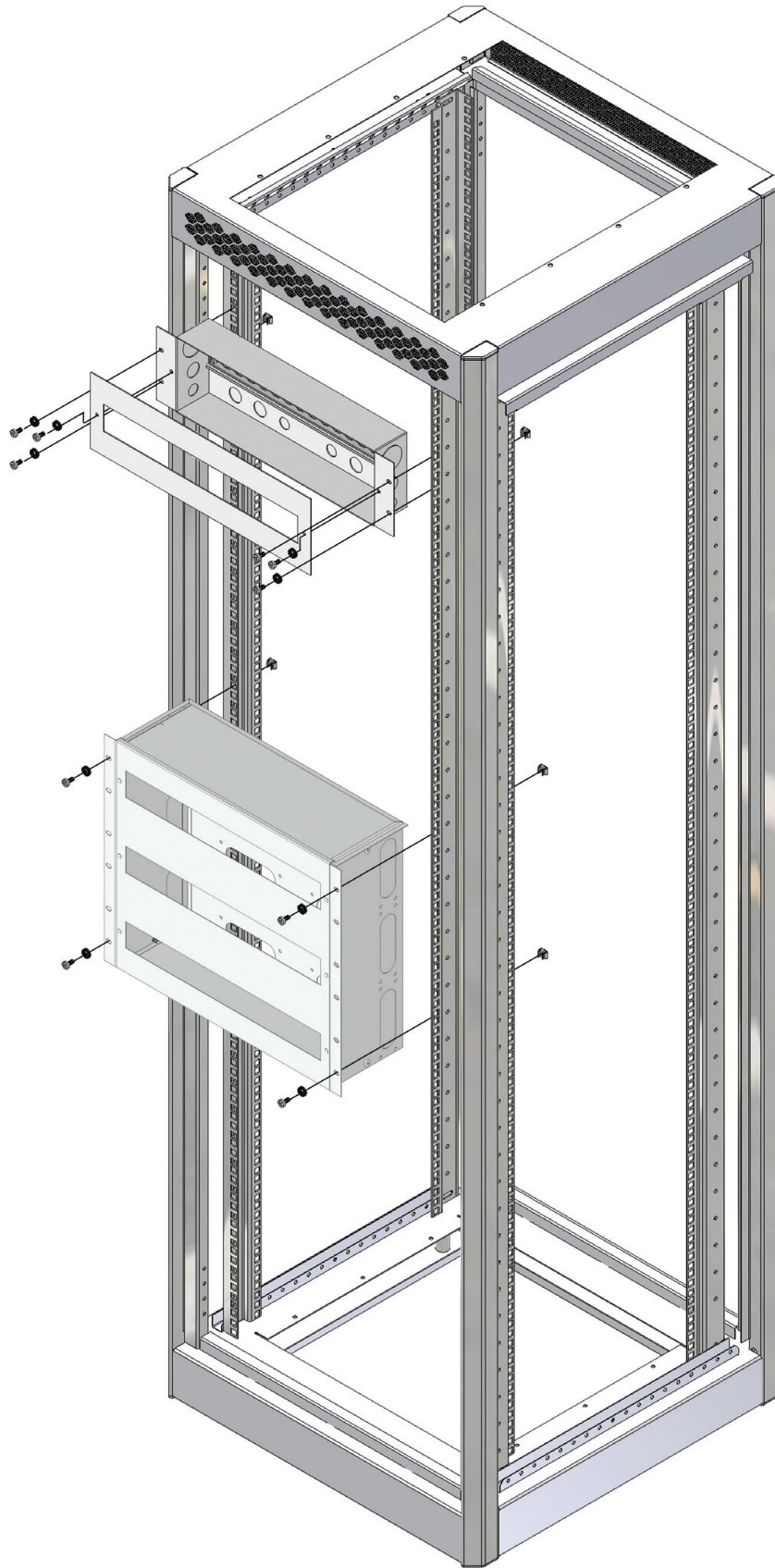
TYPE	DESCRIPTION	U/HE	UNITS	SIZE (WxH)	WEIGHT (kg)	ORDER NO
DIB	19" DIN BOX	3U	22	600 × 132	2.0	42456



19" DIN BOX ■
WITH EASY GLAND

19" DIN BOX ■
MED EASY GLAND

TYPE	DESCRIPTION	U/HE	UNITS	SIZE (WxH)	WEIGHT (kg)	ORDER NO
DIBEG 3	19" DIN BOX WITH EASY GLAND	3U	22	600 × 132	3.4	42460
DIBEG 9	19" DIN BOX WITH EASY GLAND	9U	66	600 × 397	7.3	42461



MODULAR
ELSTEEL
ENCLOSURES



100% Danish
Technology

Møllevej 9 C · 2990 Nivå
Denmark
Tel +45 49 22 33 44
elsteel@elsteel.dk
www.elsteel.com